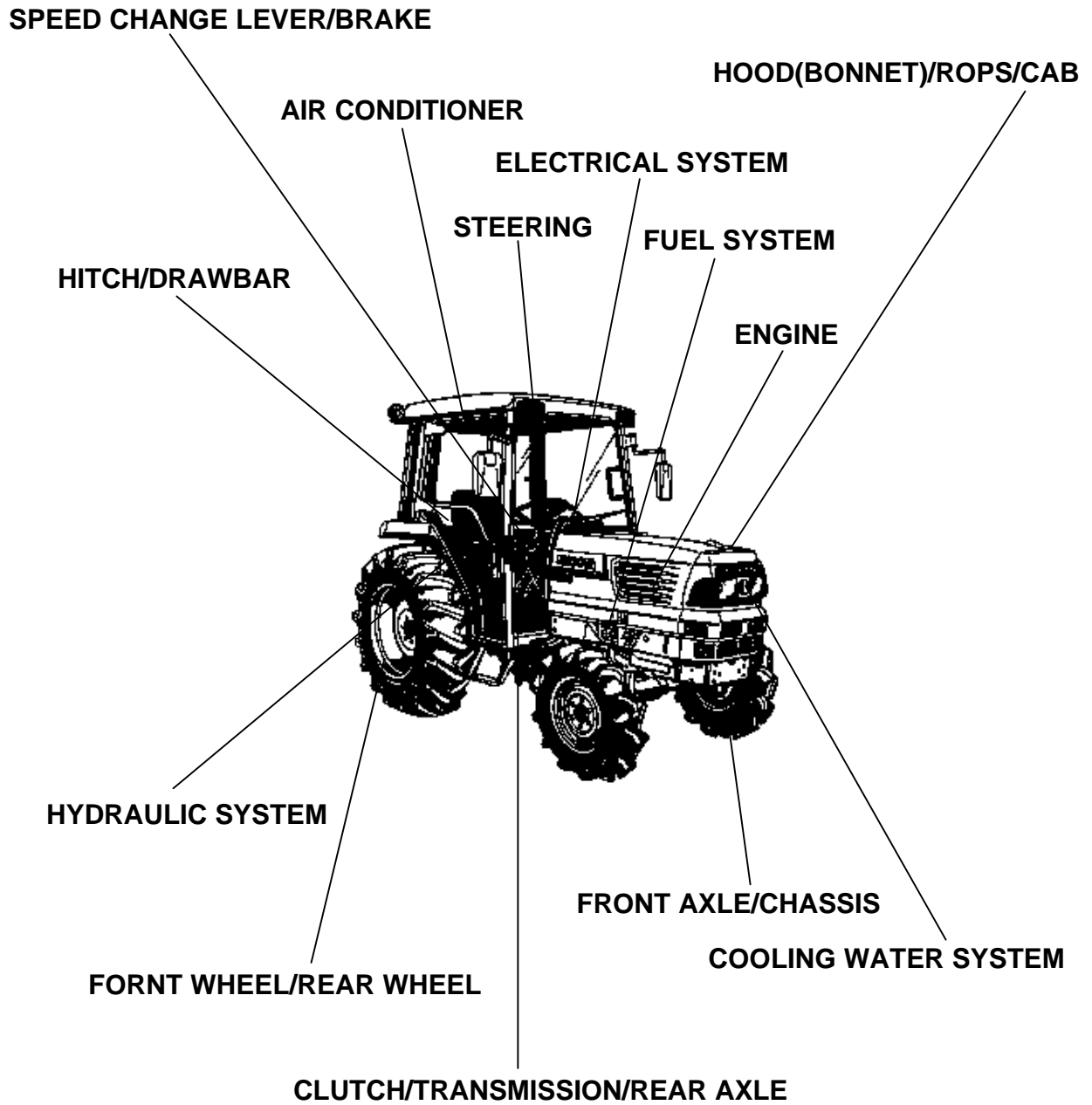


ALL PRODUCT INDEX
L4610DT-HST



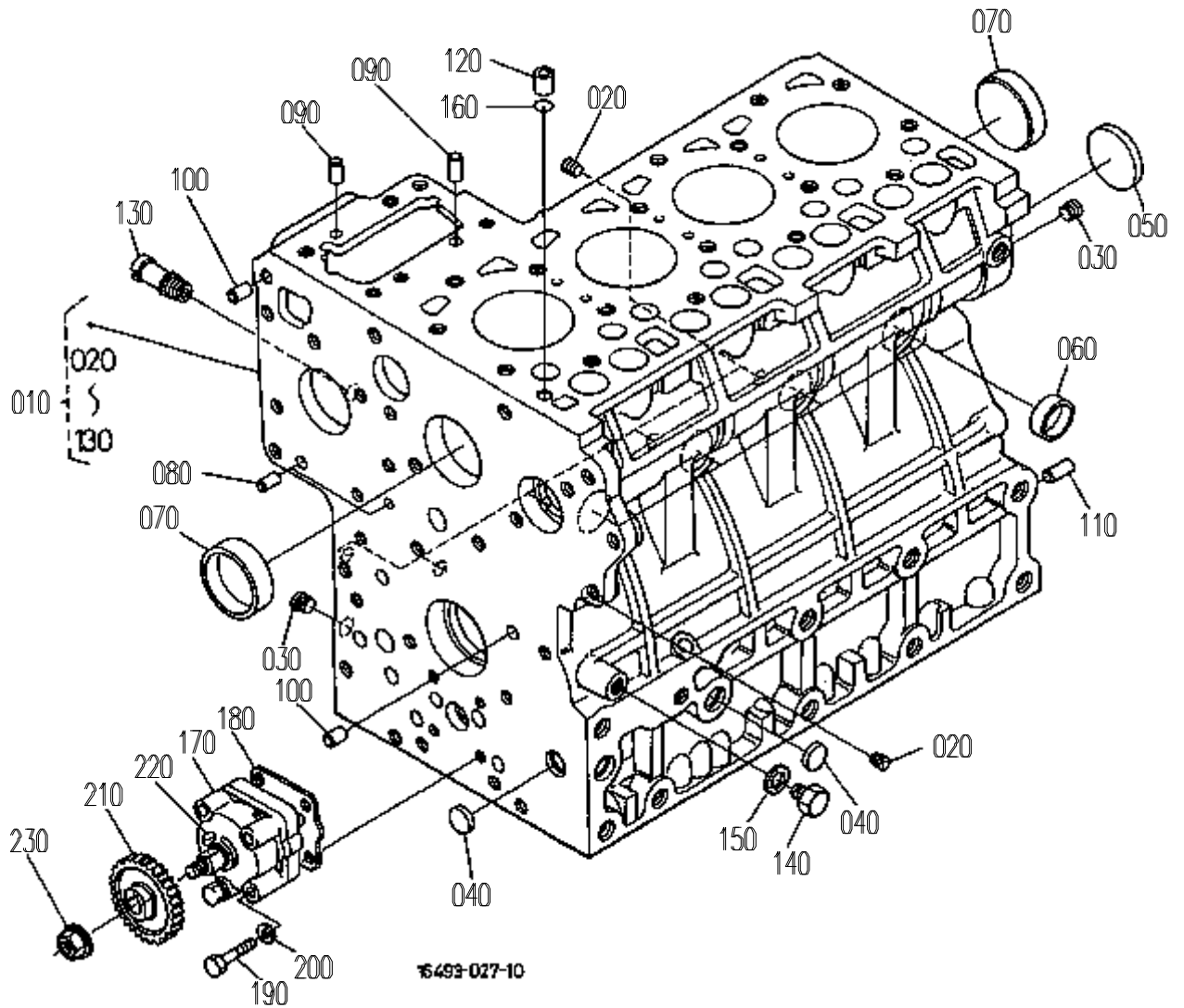
LABELS
ACCESSORIES
OPTION

Item	Part No.	Description	Book	
ENGINE	010001	CRANKCASE	100K0559	
	010002	OIL PAN	100K0559	
	010003	CYLINDER HEAD	100K0559	
	010004	GEAR CASE	100K0559	
	010005	HEAD COVER	100K0559	
	010100	MAIN BEARING CASE	100K0559	
	010101	CAMSHAFT AND IDLE GEAR SHAFT	100K0559	
	010102	PISTON AND CRANKSHAFT	100K0559	
	01010302	FLYWHEEL [HST TYPE]	100K0559	
	010105	FUEL CAMSHAFT	100K0559	
	010200	ENGINE STOP LEVER	100K0559	
	010202	INJECTION PUMP	100K0559	
	010203	INJECTION PUMP [COMPONENT PARTS]	100K0559	
	010204	GOVERNOR	100K0559	
	010205	SPEED CONTROL PLATE	100K0559	
	010206	NOZZLE HOLDER AND GLOW PLUG	100K0559	
	010207	NOZZLE HOLDER [COMPONENT PARTS]	100K0559	
	01050001	WATER FLANGE AND THERMOSTAT [ROPS TYPE]	100K0559	
	010501	WATER PUMP	100K0559	
	010600	VALVE AND ROCKER ARM	100K0559	
	01060101	INLET MANIFOLD [ROPS TYPE]	100K0559	
	010901	UPPER GASKET KIT	100K0559	
	010902	LOWER GASKET KIT	100K0559	
	010603	EXHAUST MANIFOLD/MUFFLER	100K0559	
	01060401	AIR CLEANER [ROPS TYPE]	100K0559	
	01A002	STOP SOLENOID/ENGINE STOP WIRE	100K0559	
	01A01002	ACCELERATOR LEVER [HST TYPE] [ROPS TYPE]	100K0559	
	01A03002	ACCELERATOR ROD [HST TYPE]	100K0559	
	FUEL SYSTEM	01A10101	FUEL TANK [ROPS TYPE]	100K0559
		01A110	FUEL PIPE AND FUEL FILTER	100K0559
		01A130	FUEL FILTER [COMPONENT PARTS]	100K0559
	COOLING WATER SYSTEM	01A401	FAN	100K0559
		01A41001	WATER PIPE [ROPS TYPE]	100K0559
		01A420	RADIATOR	100K0559
		01A43001	RESERVE TANK [ROPS TYPE]	100K0559
	ELECTRICAL SYSTEM	01A51501	ALTERNATOR [ROPS TYPE]	100K0559
		01A52001	ALTERNATOR [COMPONENT PARTS] [ROPS TYPE]	100K0559
		01A525	STARTER	100K0559
		01A530	STARTER [COMPONENT PARTS]	100K0559
		01A53501	BATTERY [ROPS TYPE]	100K0559
		01B10202	SWITCH 1 [HST TYPE] [ROPS TYPE]	100K0559
		01B10302	SWITCH 2 [HST TYPE] [ROPS TYPE]	100K0559
		01B115	PANEL BOARD	100K0559
		01B120	PANEL BOARD [COMPONENT PARTS]	100K0559
		01B30401	LIGHT 1 [ROPS TYPE] [OLD TYPE]	100K0559
		01B30402	LIGHT 1 [ROPS TYPE] [NEW TYPE]	100K0559
		01B50102	ELECTRICAL WIRING [HST TYPE] [ROPS TYPE]	100K0559
CLUTCH/TRANSMISSION/REAR AXLE	01C101	CLUTCH	100K0559	
	01C201	CLUTCH LEVER	100K0559	
	01C30102	CLUTCH PEDAL [HST TYPE] [ROPS TYPE]	100K0559	
	01C40102	CLUTCH HOUSING [HST TYPE]	100K0559	
	01C41002	MID CASE [HST TYPE]	100K0559	
	01C415	HST [COMPONENT PARTS] [HST TYPE]	100K0559	
	01C42002	TRANSMISSION CASE [HST TYPE]	100K0559	
	01D10102	MAIN SHAFT [HST TYPE]	100K0559	
	01D103	INPUT SHAFT [HST TYPE]	100K0559	
	01D107	OUTPUT SHAFT [HST TYPE]	100K0559	
	01D12503	SPIRAL BEVEL PINION [HST TYPE]	100K0559	

Item	Part No.	Description	Book	
CLUTCH/TRANSMISSION/REAR AXLE	01D127	REAR DIFFERENTIAL	100K0559	
	01D13202	PTO CLUTCH [HST TYPE]	100K0559	
	01D13502	PTO SHAFT [HST TYPE]	100K0559	
	01D217	RANGE GEAR SHIFT FORK [HST TYPE]	100K0559	
	01D22502	DIFFERENTIAL LOCK SHIFT FORK [HST TYPE][ROPS TYPE]	100K0559	
SPEED CHANGE LEVER/BRAKE	01D30101	REAR AXLE [ROPS TYPE]	100K0559	
	01D401	BRAKE	100K0559	
	01D40502	BRAKE ROD 1 [HST TYPE] [ROPS TYPE]	100K0559	
	01D41002	BRAKE ROD 2 [HST TYPE]	100K0559	
	01E106	CRUISE CONTROL LEVER [HST TYPE]	100K0559	
	01E107	CRUISE CONTROL CABLE [HST TYPE]	100K0559	
	01E108	NEUTRAL HOLDER LINK [HST TYPE]	100K0559	
	01E10901	SPEED CONTROL PEDAL [HST TYPE] [ROPS TYPE]	100K0559	
	01E11001	RANGE GEAR SHIFT LEVER [HST TYPE] [ROPS TYPE]	100K0559	
	01E112	RANGE GEAR SHIFT ROD [HST TYPE]	100K0559	
FRONT AXLE/CHASSIS	01E125	PTO GEAR SHIFT LEVER [HST TYPE]	100K0559	
	01E140	FRONT WHEEL DRIVE LEVER	100K0559	
	01E20102	BRAKE PEDAL [HST TYPE] [ROPS TYPE]	100K0559	
	01F105	FRONT AXLE FRAME	100K0559	
	01F120	PROPELLER SHAFT	100K0559	
	01F122	FRONT WHEEL DRIVE SHAFT	100K0559	
	01F125	FRONT DIFFERENTIAL CASE	100K0559	
	01F127	BEVEL GEAR (FRONT)	100K0559	
	01F130	DIFFERENTIAL(FRONT)	100K0559	
	01F140	FRONT AXLE CASE	100K0559	
	01F145	DIFFERENTIAL GEAR SHAFT	100K0559	
	01F150	FRONT AXLE	100K0559	
	STEERING	01G10102	STEERING HANDLE [HST TYPE] [ROPS TYPE]	100K0559
		01G110	STEERING CONTROLLER	100K0559
		01H110	STEERING CYLINDER	100K0559
01H115		STEERING CYLINDER [COMPONENT PARTS]	100K0559	
HYDRAULIC SYSTEM	01H12002	HYDRAULIC PUMP [HST TYPE]	100K0559	
	01H12502	HYDRAULIC PUMP [COMPONENT PARTS] [HST TYPE]	100K0559	
	01H20502	HYDRAULIC OIL LINE(INLET) [HST TYPE]	100K0559	
	01H21002	HYDRAULIC OIL LINE(DELIVERY) [HST TYPE]	100K0559	
	01H21502	HYDRAULIC OIL LINE(PS) [HST TYPE]	100K0559	
	01H23502	HYDRAULIC OUTLET BLOCK [HST TYPE]	100K0559	
	01H240	HYDRAULIC PIPE [HST TYPE]	100K0559	
	01H245	OIL COOLER [HST TYPE]	100K0559	
	01H301	HYDRAULIC CYLINDER	100K0559	
	01H320	LIFT ARM	100K0559	
	01H330	FEED BACK LEVER	100K0559	
	01H405	CONTROL VALVE	100K0559	
	01H410	CONTROL VALVE [COMPONENT PARTS] [OLD TYPE]	100K0559	
	01H41001	CONTROL VALVE [COMPONENT PARTS] [NEW TYPE]	100K0559	
	01H44001	POSITION CONTROL LEVER [ROPS TYPE]	100K0559	
	HITCH/DRAWBAR	01J105	TOP LINK	100K0559
		01J110	3-POINT LINKAGE 1(LOWER LINK) [OLD TYPE]	100K0559
		01J11001	3-POINT LINKAGE 1 (LOWER LINK) [NEW TYPE]	100K0559
01J115		3-POINT LINKAGE 2(LIFT ROD)	100K0559	
01K105		DRAWBAR	100K0559	
HOOD(BONNET)/ROPS/CAB		01K12501	PTO PROTECTOR [ROPS TYPE]	100K0559
		01L101	FRONT GRILLE	100K0559

Item	Part No.	Description	Book	
HOOD(BONNET)/ROPS/CAB	01L10302	FRONT GRILLE SUPPORT [HST TYPE] [ROPS TYPE]	100K0559	
	01L10501	HOOD(BONNET) [ROPS TYPE]	100K0559	
	01L111	HOOD(BONNET) SIDE RH	100K0559	
	01L113	HOOD(BONNET) SIDE LH	100K0559	
	01L11501	SIDE COVER LOWER [ROPS TYPE]	100K0559	
	01L13001	SHUTTER PLATE [ROPS TYPE]	100K0559	
	01L20102	PANEL FRAME [HST TYPE] [ROPS TYPE]	100K0559	
	01L21002	FENDER [HST TYPE] [ROPS TYPE]	100K0559	
	01L21502	FLOOR SEAT [HST TYPE] [ROPS TYPE]	100K0559	
	01L22001	SEAT [ROPS TYPE]	100K0559	
	01L221	SEAT SUSPENSION [COMPONENT PARTS]	100K0559	
	01L22502	STEP [HST TYPE] [ROPS TYPE]	100K0559	
	01L301	ROPS [ROPS TYPE] [OLD TYPE]	100K0559	
	01L30101	ROPS [ROPS TYPE] [NEW TYPE]	100K0559	
	01L501	SMV EMBLEM	100K0559	
	FORNT WHEEL/REAR WHEEL	01P10101	FRONT WHEEL (8.3-16)	100K0559
		01P10102	FRONT WHEEL (10-16.5)	100K0559
		01P10103	FRONT WHEEL (27*8.5-15)	100K0559
		01P10104	FRONT WHEEL (29*12.50-15)	100K0559
		01P11001	REAR WHEEL (13.6-24)	100K0559
		01P11002	REAR WHEEL (14.9-24)	100K0559
		01P11003	REAR WHEEL (17.5-24)	100K0559
		01P11004	REAR WHEEL (41*14.00-20)	100K0559
		01P11005	REAR WHEEL (21.5L-16.1)	100K0559
		LABELS	01R10502	LABEL 1 [HST TYPE] [ROPS TYPE]
	01R11002		LABEL 2 [HST TYPE] [ROPS TYPE]	100K0559
	ACCESSORIES OPTION	01S105	ACCESSORIES AND SERVICE PARTS	100K0559
		01T103	AIR CLEANER COVER KIT [OPTION]	100K0559
01T130		POSITION CONTROL LEVER (WITH DRAFT) [OPTION]	100K0559	
01T135		DRAFT CONTROL LEVER (WITH DRAFT) [OPTION]	100K0559	
01T140		TOP LINK HOLDER (WITH DRAFT) [OPTION]	100K0559	
01T145		SWINGING DRAWBAR/CLEVIS DRAWBAR [OPTION]	100K0559	
01T15001		REMOTE CONTROL VALVE LEVER 1 [ROPS TYPE] [OPTION]	100K0559	
01T15003		REMOTE CONTROL VALVE LEVER 2 [ROPS TYPE] [OPTION]	100K0559	
01T15005		REMOTE CONTROL VALVE LEVER 3 [ROPS TYPE] [OPTION]	100K0559	
01T15501		REMOTE CONTROL VALVE COUPLER 1 [OPTION]	100K0559	
01T15502		REMOTE CONTROL VALVE COUPLER 2 [OPTION]	100K0559	
01T15503		REMOTE CONTROL VALVE COUPLER 3 [OPTION]	100K0559	
01T160		ROPS [ROPS TYPE] [OPTION] [OLD TYPE]	100K0559	
01T16001		ROPS [ROPS TYPE] [OPTION] [NEW TYPE]	100K0559	

CRANKCASE

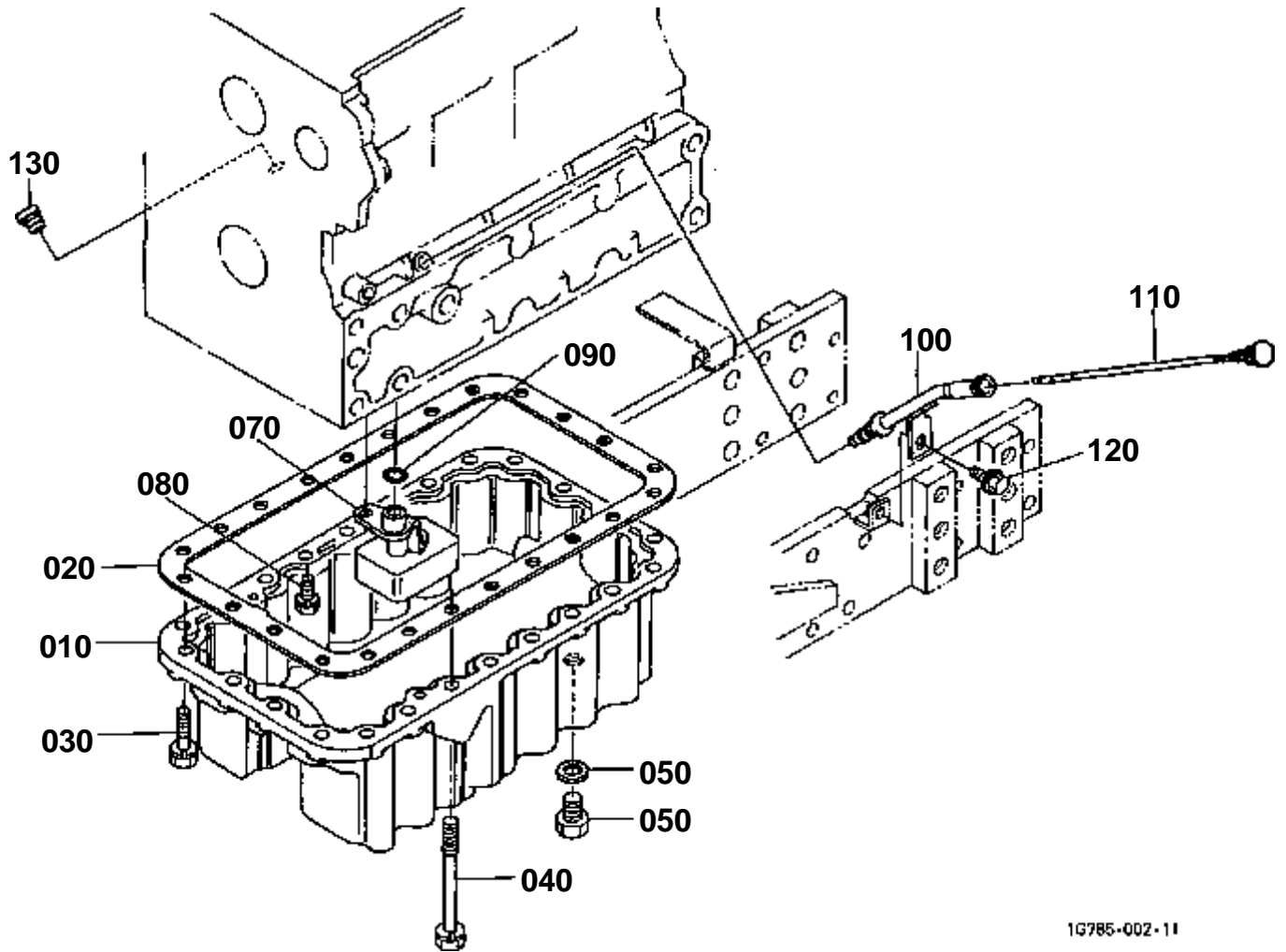


**CRANKCASE**

↔ Interchangeable; ≠ not interchangeable; ← new for old; → old for new

REF.No	Part No.	Description	Q'ty	S.No.	I/C	REMARKS	Weight (kgf)	Weight (lb)
010	16423-01010	COMP.CRANKCASE	1	<=XS4888			0	0
010	16423-01012	COMP.CRANKCASE	1	>=XS4889	←		49	107.8
010	16423-01014	COMP.CRANKCASE	1	>=2A0001	←		49	107.8
020	15521-96020	PLUG	6				0.003	0.0066
030	15521-96030	PLUG	2				0.007	0.0154
040	17391-96160	PLUG EXPANSION	3				0.003	0.0066
050	06311-75045	PLUG EXPANSION	1				0.026	0.0572
060	15221-03380	CAP SEALING	6				0.017	0.0374
070	15221-03390	CAP SEALING	2				0.03	0.066
080	05012-00408	PIN STRAIGHT	2				0.001	0.0022
090	05012-00609	PIN STRAIGHT	2				0.003	0.0066
100	05012-00612	PIN STRAIGHT	2				0.003	0.0066
110	05012-01018	PIN STRAIGHT	1				0.012	0.0264
120	15221-33650	PIN PIPE	1				0.004	0.0088
130	15321-73340	PIPE WATER RETURN	1				0.016	0.0352
140	15221-33610	PLUG	1				0.009	0.0198
150	15021-33660	GASKET	1				0.001	0.0022
160	15221-33700	O RING	1				0.001	0.0022
170	15471-35012	ASSY PUMP OIL	1				0.55	1.21
180	15296-35150	GASKET OIL PUMP	1				0	0
180	1A021-35150	GASKET OIL PUMP	1		↔		0.001	0.0022
190	01053-50650	BOLT	4				0.011	0.0242
200	04512-60060	WASHER SPRING	4				0.001	0.0022
210	19202-35660	GEAR OIL PUMP DRIVE	1				0.23	0.506
220	05712-00410	KEY FEATHER	1				0.001	0.0022
230	15221-35682	NUT FLANGE	1				0.014	0.0308

OIL PAN



1G785-002-11

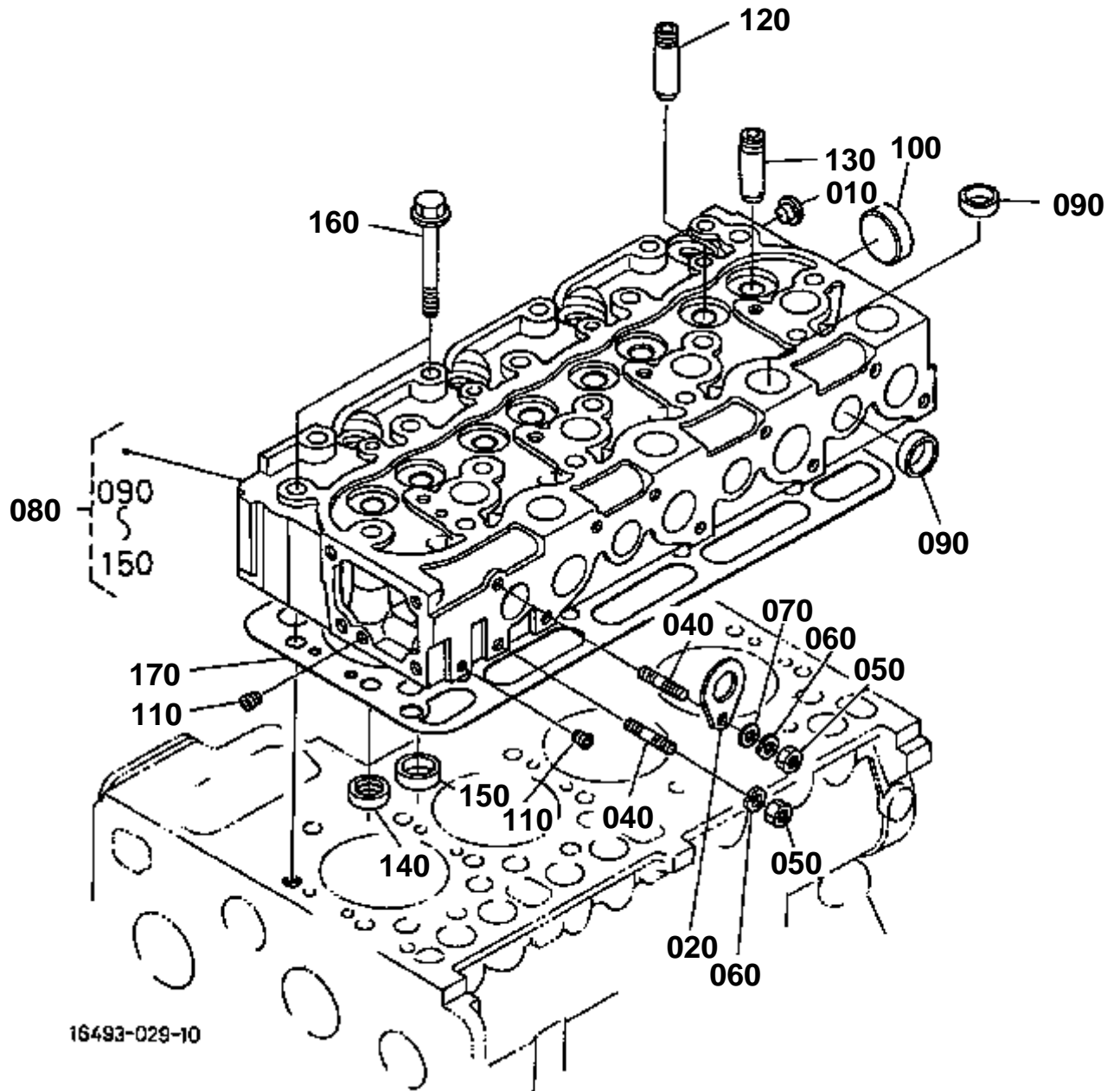


OIL PAN

↔ Interchangeable; ≠ not interchangeable; ← new for old; → old for new

REF.No	Part No.	Description	Q'ty	S.No.	I/C	REMARKS	Weight (kgf)	Weight (lb)
010	17341-01610	OIL PAN	1				4.1	9.02
020	15815-01620	GASKET OIL PAN	1				0.03	0.066
030	01133-51028	BOLT	22				0.027	0.0594
040	17377-91010	BOLT	2				0.08	0.176
050	15261-33750	PLUG	2	<=YJ3494			0.034	0.0748
050	16427-33750	PLUG DRAIN	2	>=YL0001	←		0	0
060	6C090-58960	GASKET	2				0.002	0.0044
070	15411-32110	FILTER OIL	1				0.24	0.528
080	01123-60814	BOLT	1				0.008	0.0176
090	04811-00160	O RING	1				0.001	0.0022
090	04817-00160	O RING	1		←		0	0
100	TA140-36420	GUIDE OIL GAUGE	1				0.067	0.1474
110	TA140-36413	GAUGE OIL	1				0.025	0.055
120	01754-50816	BOLT FLANGE	1				0.011	0.0242
130	16414-33640	PLUG OIL GAUGE	1	>=2A0001			0.003	0.0066

CYLINDER HEAD



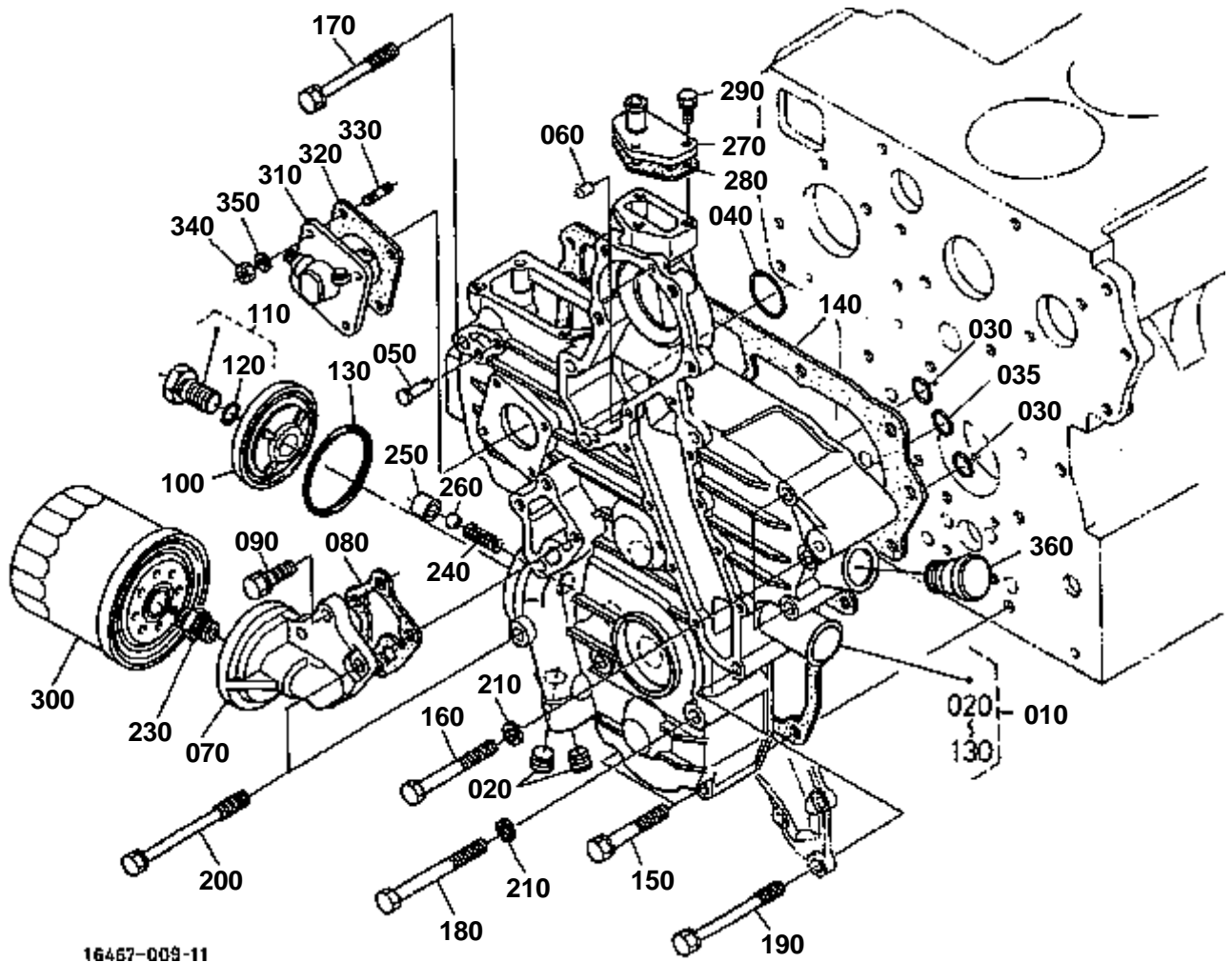


CYLINDER HEAD

↔ Interchangeable; ≠ not interchangeable; ← new for old; → old for new

REF.No	Part No.	Description	Q'ty	S.No.	I/C	REMARKS	Weight (kgf)	Weight (lb)
010	09980-10075	CAP PROTECTOR	1				0.001	0.0022
020	15221-01750	HOOK ENGINE	1				0.04	0.088
030	99999-99999	BLANK	0				0	0
040	15471-91530	STUD	2				0.01	0.022
050	02156-50080	NUT	2				0.004	0.0088
060	04512-60080	WASHER SPRING	2				0.002	0.0044
070	04012-50080	WASHER PLAIN	1				0.001	0.0022
080	16429-03040	COMP.CYLINDER HEAD	1				19.1	42.02
090	15221-03370	CAP SEALING	12				0.01	0.022
100	15221-03490	CAP SEALING	1				0.02	0.044
110	15261-96010	PLUG	2				0.002	0.0044
120	17321-13580	GUIDE INLET VALVE	4				0.015	0.033
130	17321-13560	GUIDE EXHAUST VALVE	4				0.02	0.044
140	16415-13620	SEAT INLET VALVE	4				0.01	0.022
150	16415-13612	SEAT EXHAUST VALVE	4				0.01	0.022
160	19013-03450	BOLT CYLINDER HEAD	18				0.077	0.1694
170	19077-03310	GASKET CYLINDER HEAD	1				0.13	0.286

GEAR CASE



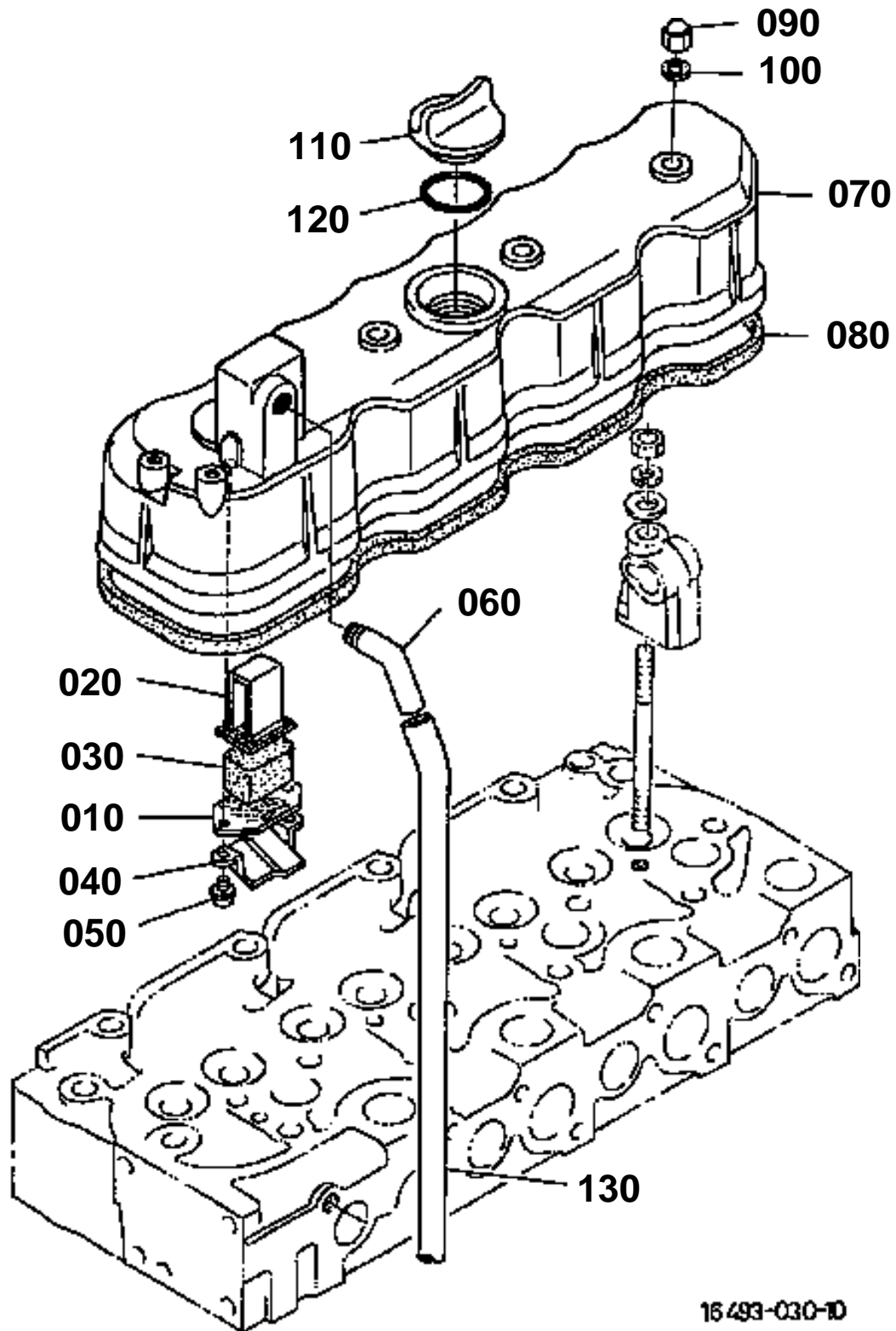
16467-009-11

**GEAR CASE**

↔ Interchangeable; ≠ not interchangeable; ← new for old; → old for new

REF.No	Part No.	Description	Q'ty	S.No.	I/C	REMARKS	Weight (kgf)	Weight (lb)
010	16705-04032	ASSY CASE GEAR	1				4.2	9.24
020	16241-96020	PLUG	2				0.015	0.033
030	04811-00150	O RING	2				0.001	0.0022
030	04817-00150	O RING	2		←		0	0
035	04811-00200	O RING	1				0.001	0.0022
035	04817-00200	O RING	1		←		0	0
040	04811-00360	O RING	1				0.002	0.0044
040	04817-00360	O RING	1		←		0	0
050	15221-56280	PIN START SPRING	1				0.006	0.0132
060	05012-00612	PIN STRAIGHT	2				0.003	0.0066
070	17331-32610	SUPPORT OIL FILTER	1				0.275	0.605
080	17326-32620	GASKET	1				0.005	0.011
090	01123-50825	BOLT	3				0.013	0.0286
100	17331-32880	COVER	1				0.075	0.165
110	17331-32910	COMP BOLT	1				0.07	0.154
120	04811-00150	O RING	1				0.001	0.0022
120	04817-00150	O RING	1		←		0	0
130	19202-96830	O RING	1				0.01	0.022
140	17326-04132	GASKET GEAR CASE	1				0.03	0.066
150	01123-50860	BOLT	3				0.026	0.0572
160	01153-50870	BOLT	3				0.026	0.0572
170	17367-91010	BOLT	2				0.005	0.011
180	01153-50880	BOLT	2				0.03	0.066
190	17367-91020	BOLT	3				0.035	0.077
200	17367-91030	BOLT	2				0.02	0.044
210	04512-60080	WASHER SPRING	5				0.002	0.0044
220	99999-99999	BLANK	0				0	0
230	15521-32290	JOINT PIPE	1	≤YW4276			0	0
230	15521-32293	JOINT PIPE	1	≥YY0001	←		0	0
240	15241-36950	SPRING	1				0.004	0.0088
250	15521-36930	SEAT VALVE	1				0.015	0.033
260	07715-03213	BALL	1				0.004	0.0088
270	15521-73320	FLANGE WATER RETURN	1				0.04	0.088
280	1A021-73330	GASKET WATER FLANGE	1				0.001	0.0022
280	1A021-73330	GASKET RETURN FLANGE	1		↔		0.001	0.0022
290	01023-50620	BOLT	3				0.006	0.0132
300	17321-32430	CARTRIDGE OIL FILTER	1				0	0
300	16414-32430	CARTRIDGE OIL FILTER	1		↔		0	0
310	38240-34660	ASSY GEAR CASE H/M	1				0.335	0.737
320	15296-88130	GASKET H/METER UNIT	1				0.002	0.0044
330	15221-88210	STUD	4				0.005	0.011
340	02056-50060	NUT	4				0.002	0.0044
350	04512-60060	WASHER SPRING	4				0.001	0.0022
360	15571-33140	PLUG OIL FILLER	1	≤1L4203		NOT SALE	0.03	0.066
360	16427-33140	PLUG OIL FILLER	1	≥1N0001	←		0.025	0.055

HEAD COVER



16493-030-10

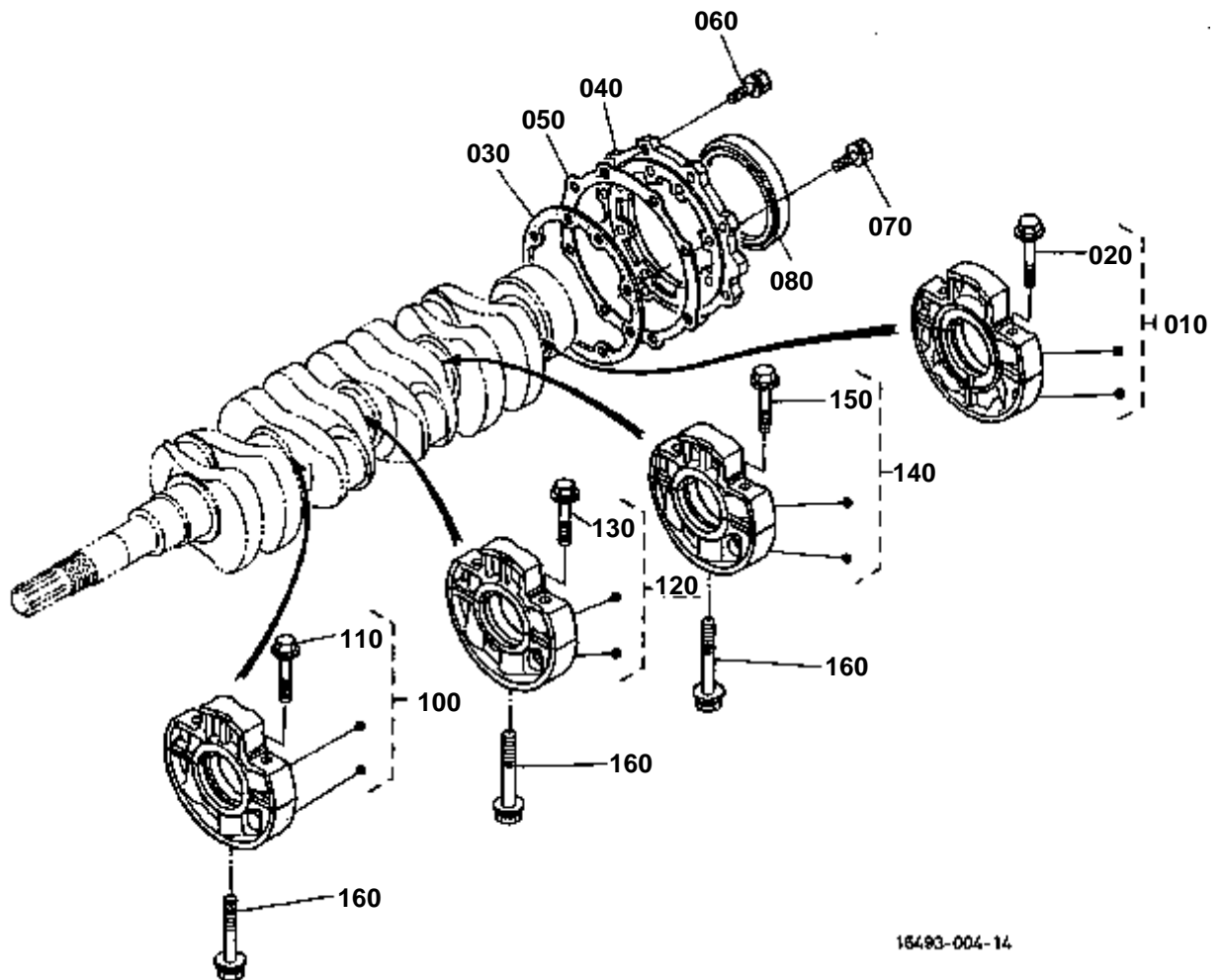


HEAD COVER

↔ Interchangeable; ≠ not interchangeable; ← new for old; → old for new

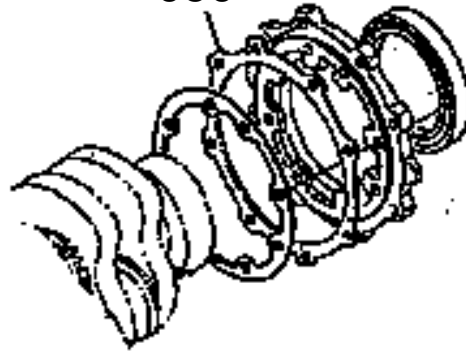
REF.No	Part No.	Description	Q'ty	S.No.	I/C	REMARKS	Weight (kgf)	Weight (lb)
010	15521-05140	PLATE B/THER ELEMENT	1				0.005	0.011
020	15521-05150	PLATE B/THER ELEMENT	1				0.01	0.022
030	15521-05670	ELEMENT BREATHER	1				0.01	0.022
040	15521-05370	OIL SHIELD BREATHER	1				0.005	0.011
050	03034-50510	SCREW WITH WASHER	2				0.003	0.0066
060	17365-05550	JOINT BREATHER	1				0.065	0.143
070	15434-14510	COVER CYL.HEAD	1				1.315	2.893
080	15471-14520	GASKET HEAD COVER	1				0.05	0.11
090	15451-92330	NUT	4				0.015	0.033
100	15021-33660	GASKET	4				0.001	0.0022
110	15852-33140	PLUG OIL FILLER	1				0.038	0.0836
120	04811-50300	O RING	1				0.001	0.0022
120	04817-50300	O RING	1		←		0.001	0.0022
130	15837-05510	PIPE BREATHER	1				0.06	0.132

MAIN BEARING CASE



050 17118-0483-0

050



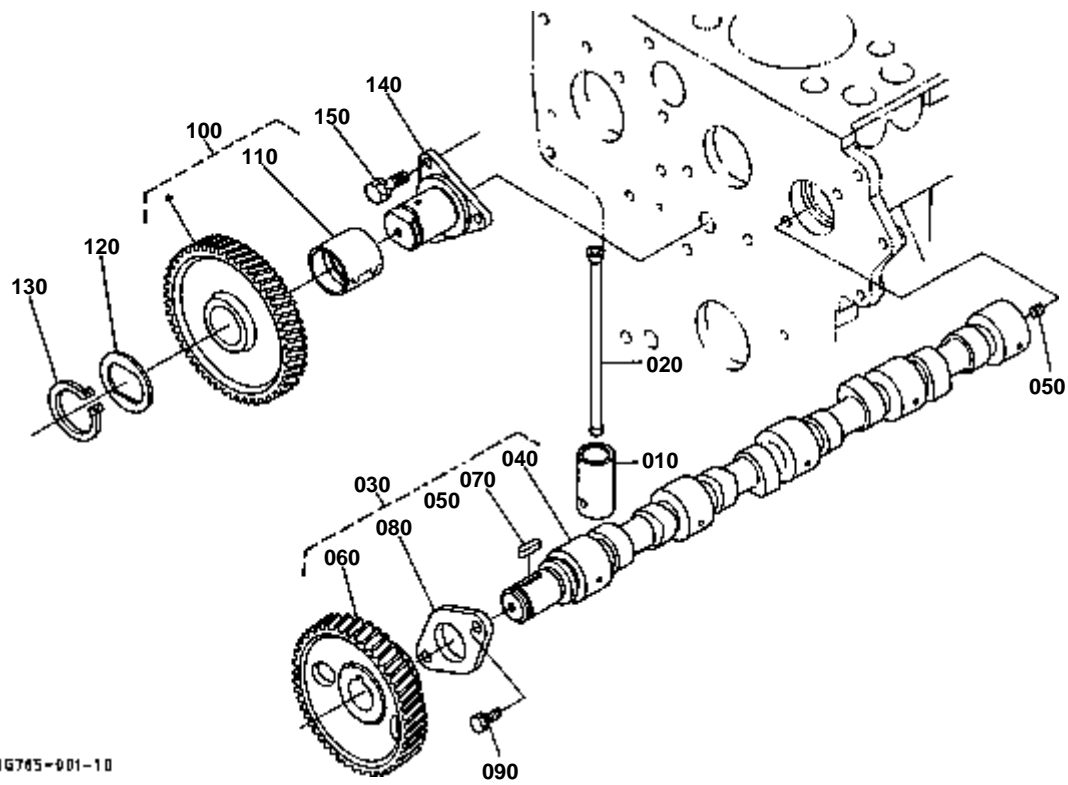
1A021-804-11



MAIN BEARING CASE

↔ Interchangeable; ≠ not interchangeable; ← new for old; → old for new

REF.No	Part No.	Description	Q'ty	S.No.	I/C	REMARKS	Weight (kgf)	Weight (lb)
010	19013-07090	ASSY BRG.CASE WHEEL	1				1.55	3.41
020	19013-04540	BOLT BEARING CASE	2				0.038	0.0836
030	19077-04360	GASKET BEARING CASE	1				0.004	0.0088
040	19013-04813	COVER BEARING CASE	1				0.41	0.902
050	17118-04830	GASKET BRG.CASE COV.	1				0	0
050	1A091-04820	GASKET CASE COVER	1		↔		0.006	0.0132
060	01123-50825	BOLT	8				0.013	0.0286
070	01123-50828	BOLT	8				0.014	0.0308
080	19202-04460	SEAL OIL	1				0.055	0.121
090	99999-99999	BLANK	0				0	0
100	19013-07040	ASSY BRG.CASE MAIN	1				1.5	3.3
110	19013-04540	BOLT BEARING CASE	2				0.038	0.0836
120	19013-07050	ASSY BRG.CASE MAIN	1				1.495	3.289
130	19013-04540	BOLT BEARING CASE	2				0.038	0.0836
140	19013-07060	ASSY BRG.CASE MAIN	1				1.52	3.344
150	19013-04540	BOLT BEARING CASE	2				0.038	0.0836
160	15601-04560	BOLT BEARING CASE	3				0.06	0.132



16785-901-10

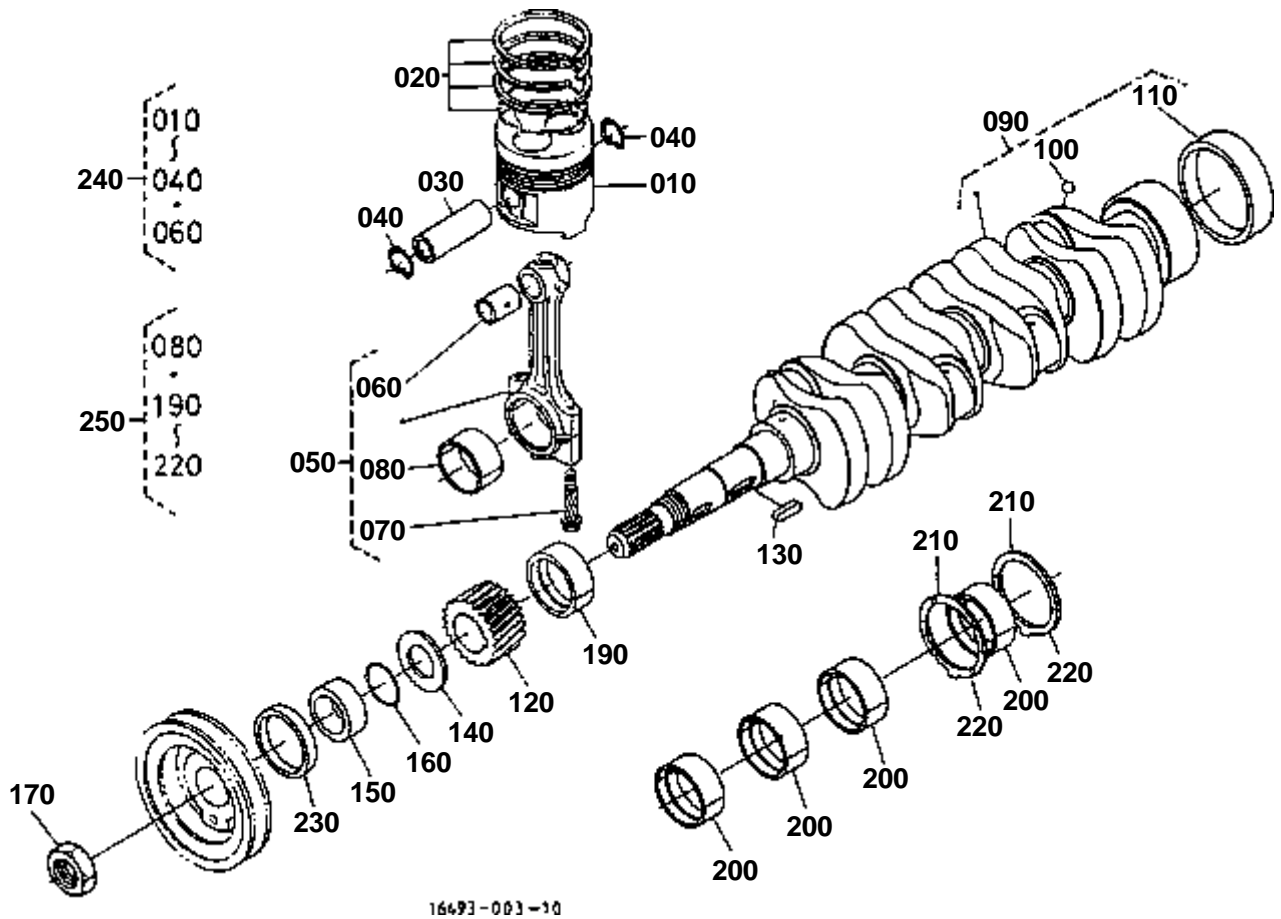


CAMSHAFT AND IDLE GEAR SHAFT

↔ Interchangeable; ≠ not interchangeable; ← new for old; → old for new

REF.No	Part No.	Description	Q'ty	S.No.	I/C	REMARKS	Weight (kgf)	Weight (lb)
010	15601-15550	TAPPET	8				0.08	0.176
020	19013-15110	PUSH ROD	8				0.05	0.11
030	16413-16010	ASSY CAMSHAFT	1	<=1W2630			4.2	9.24
030	16413-16013	ASSY CAMSHAFT	1	>=1Y0001	←		4.2	9.24
040	17343-16150	CAMSHAFT	1				2.2	4.84
050	15521-93610	SCREW SET	1				0.002	0.0044
060	15221-16510	GEAR CAMSHAFT	1	<=1W2630			0.85	1.87
060	1A091-16510	GEAR CAM	1	>=1Y0001	←		0.8	1.76
070	05712-00720	KEY FEATHER	1				0.008	0.0176
080	15221-16270	STOPPER CAMSHAFT	1				0.073	0.1606
090	01123-50818	BOLT	2				0.012	0.0264
100	1A021-24010	COMP.GEAR IDLE	1	<=1Y2848			1.24	2.728
100	1A091-24010	COMP.GEAR IDLE	1	>=2A0001	←		1.21	2.662
110	1A021-24980	BUSH IDLE GEAR	1				0.072	0.1584
120	1A021-24370	COLLAR	1				0.022	0.0484
130	15451-95400	CIR CLIP EXTERNAL	1				0.01	0.022
140	1A021-24250	SHAFT IDLE GEAR	1				0.685	1.507
150	01123-50818	BOLT	3				0.012	0.0264

PISTON AND CRANKSHAFT



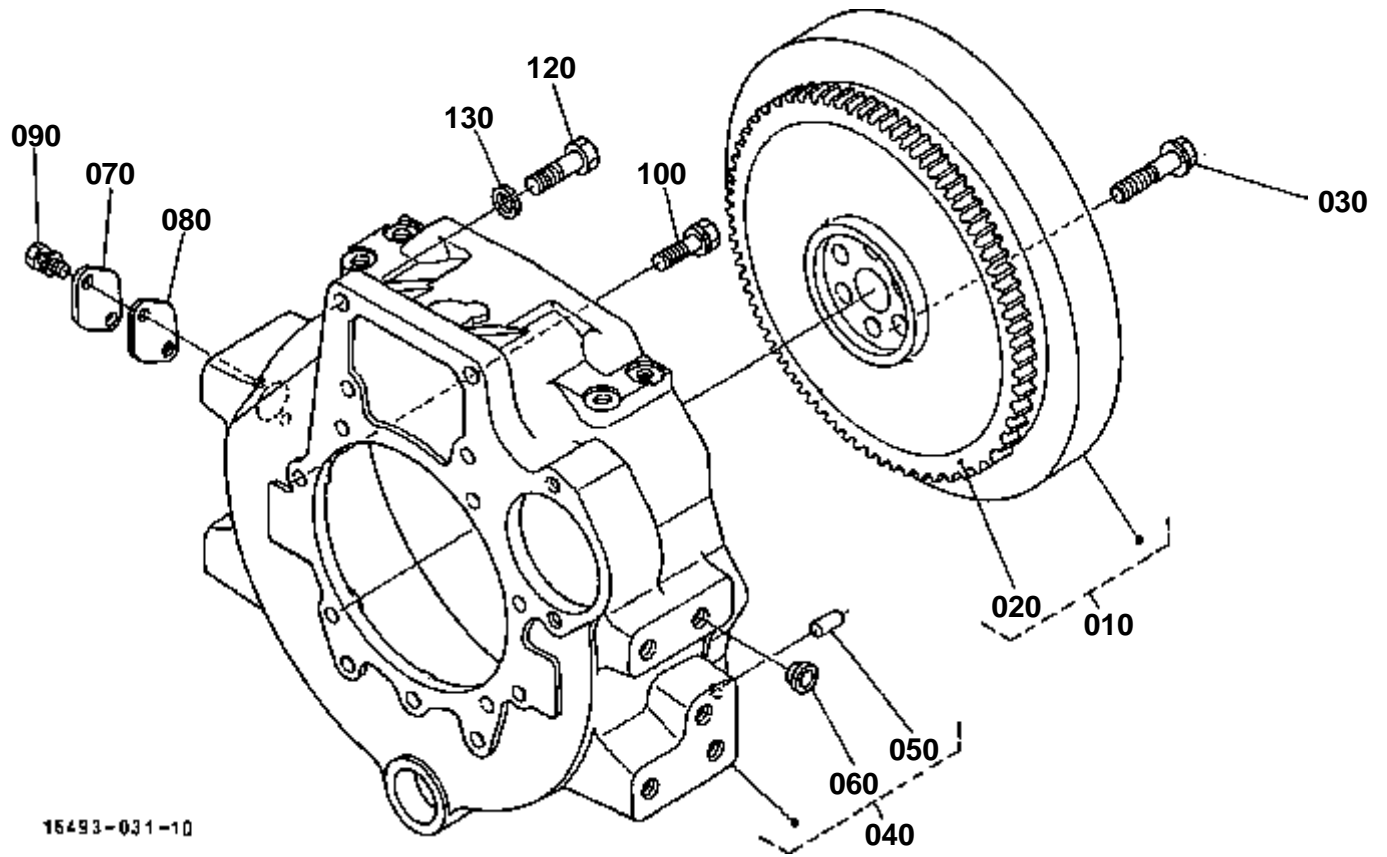


PISTON AND CRANKSHAFT

↔ Interchangeable; ≠ not interchangeable; ← new for old; → old for new

REF.No	Part No.	Description	Q'ty	S.No.	I/C	REMARKS	Weight (kgf)	Weight (lb)
010	19077-21110	PISTON	4			STD	0.58	1.276
010	19077-21910	PISTON	4			+0.5mm	0.585	1.287
020	17331-21050	ASSY PISTON RING	4			STD	0.065	0.143
020	17331-21090	ASSY PISTON RING	4			+0.5mm	0.065	0.143
030	14901-21310	PIN PISTON	4				0.17	0.374
040	14109-21330	CIR CLIP INTERNAL	8				0.015	0.033
050	17311-22010	ASSY CONNECTING ROD	4				0.885	1.947
060	17331-21980	BUSH PISTON PIN	4				0.025	0.055
070	15521-22142	BOLT CONNECTING ROD	8				0.026	0.0572
080	17311-22310	METAL CRANKPIN	4			STD SET	0.045	0.099
080	17331-22970	METAL CRANKPIN	4			-0.2mm SET	0.05	0.11
080	17331-22980	METAL CRANKPIN	4			-0.4mm SET	0.045	0.099
090	16641-23010	COMP.CRANKSHAFT	1				17	37.4
100	07715-00401	BALL	4				0.001	0.0022
110	19202-23280	BUSH CRANKSHAFT	1				0.09	0.198
120	15471-24110	GEAR CRANK	1				0.375	0.825
130	05712-00720	KEY FEATHER	1				0.008	0.0176
140	15471-23312	SLINGER OIL	1				0.008	0.0176
150	19202-23250	COLLAR CRANKSHAFT	1				0.065	0.143
160	04811-10300	O RING	1				0.001	0.0022
170	15221-23360	NUT CRANKSHAFT	1				0.11	0.242
180	99999-99999	BLANK	0				0	0
190	17311-23470	METAL CRANKSHAFT	1	<=1A3706		STD	0	0
190	17311-23472	METAL CRANKSHAFT	1	>=1C0001	←	STD	0	0
190	17311-23910	METAL CRANKSHAFT	1			-0.2mm	0.05	0.11
190	17311-23920	METAL CRANKSHAFT	1			-0.4mm	0.06	0.132
200	17311-23480	METAL CRANKSHAFT	4			STD SET	0.045	0.099
200	17311-23930	METAL CRANKSHAFT	4			-0.2mm SET	0.05	0.11
200	17311-23940	METAL CRANKSHAFT	4			-0.4mm SET	0.06	0.132
210	15521-23530	METAL SIDE	2			STD	0.01	0.022
210	15521-23950	METAL SIDE	2			+0.2mm	0.01	0.022
210	15521-23960	METAL SIDE	2			+0.4mm	0.01	0.022
220	19202-23540	METAL SIDE	2			STD	0.01	0.022
220	19202-23970	METAL SIDE	2			+0.2mm	0.01	0.022
220	19202-23980	METAL SIDE	2			+0.4mm	0.01	0.022
230	19202-04140	SEAL OIL	1				0.015	0.033
240	07916-26940	KIT RING PISTON	4			STD	0.87	1.914
240	07916-26950	KIT RING PISTON	4			+0.5mm	0.88	1.936
250	07916-28000	KIT METAL ENGINE	1			STD	0.42	0.924
250	07916-28742	KIT METAL ENGINE	1			-0.2mm	0.55	1.21
250	07916-28752	KIT METAL ENGINE	1			-0.4mm	0.55	1.21

FLYWHEEL [HST TYPE]

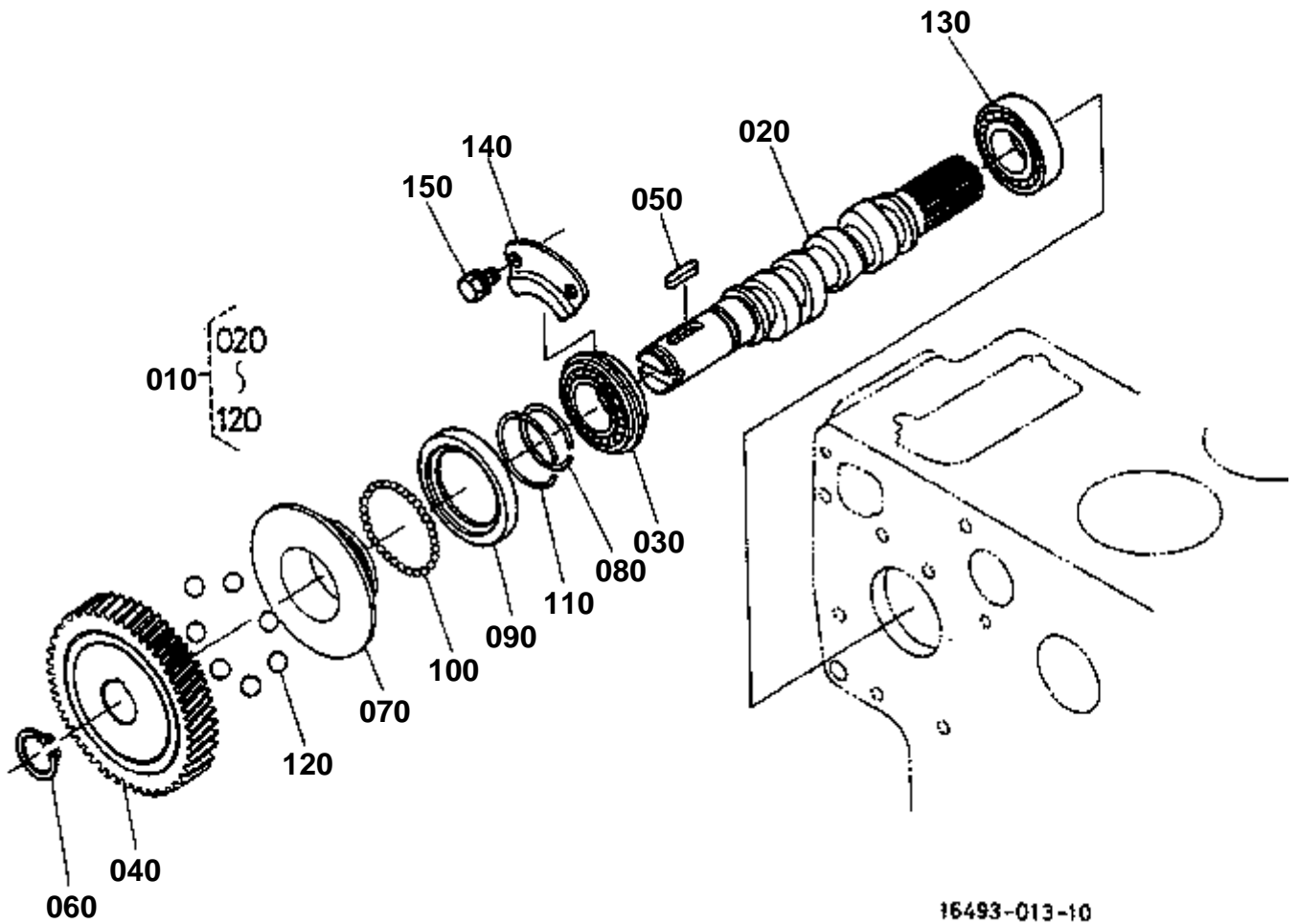


**FLYWHEEL [HST TYPE]**

↔ Interchangeable; ≠ not interchangeable; ← new for old; → old for new

REF.No	Part No.	Description	Q'ty	S.No.	I/C	REMARKS	Weight (kgf)	Weight (lb)
010	16493-25010	COMP.FLYWHEEL	1				29.8	65.56
020	15221-63820	GEAR RING	1				1.2	2.64
030	16457-25160	BOLT FLYWHEEL	6				0.063	0.1386
040	TA040-20102	COMP.HOUSING F-W	1				18.2	40.04
050	05012-01018	PIN STRAIGHT	2				0.012	0.0264
060	31220-14290	PLUG	9				0.002	0.0044
070	15521-04680	COVER	1				0.035	0.077
080	15521-04790	PACKING COVER	1				0.005	0.011
090	01123-50816	BOLT	2				0.011	0.0242
100	16427-91010	BOLT	11				0.004	0.0088
110	99999-99999	BLANK	0				0	0
120	01073-51240	BOLT	2				0.049	0.1078
130	04512-60120	WASHER SPRING	2				0.005	0.011

FUEL CAMSHAFT



16493-013-10

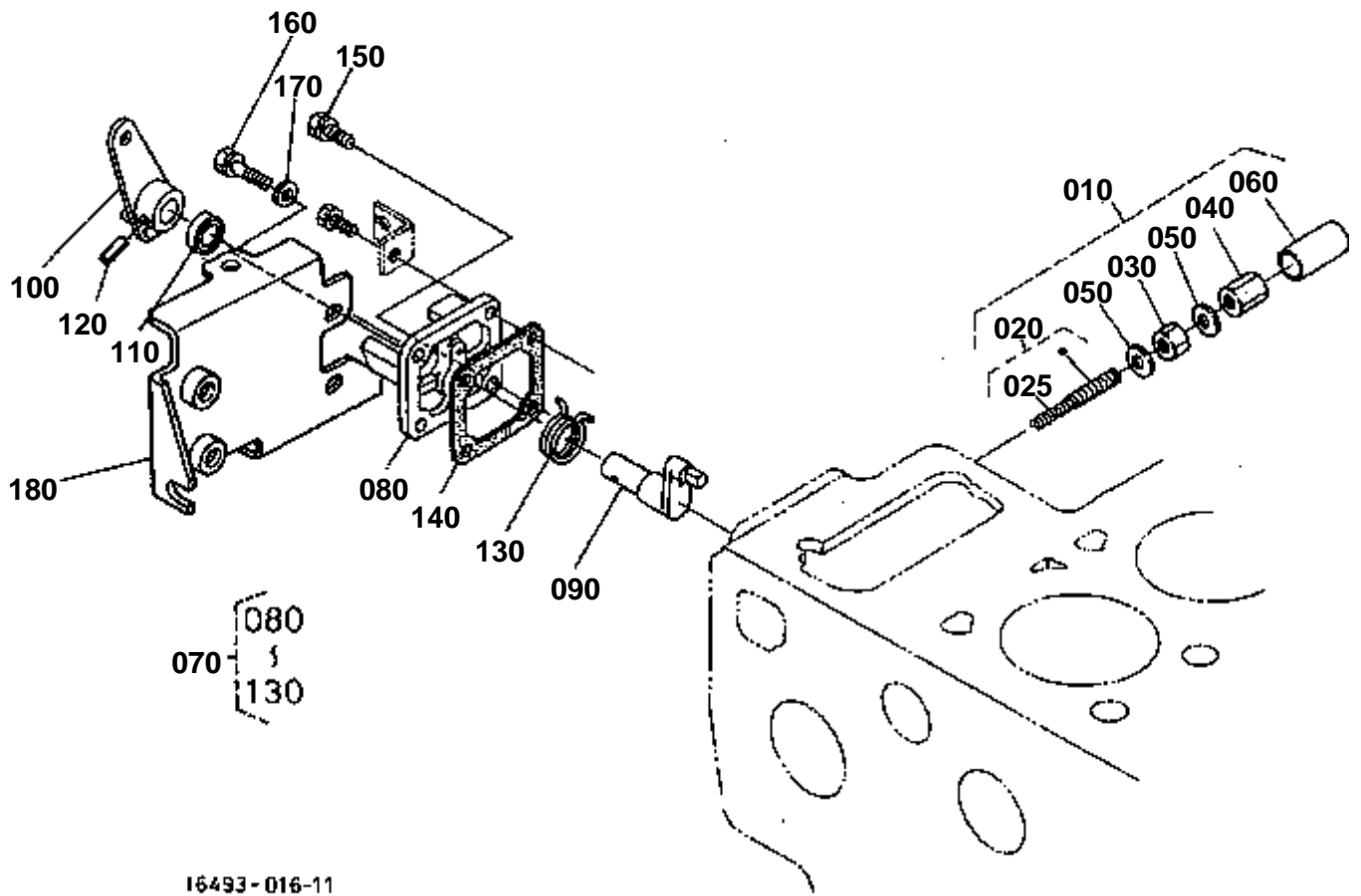


FUEL CAMSHAFT

↔ Interchangeable; ≠ not interchangeable; ← new for old; → old for new

REF.No	Part No.	Description	Q'ty	S.No.	I/C	REMARKS	Weight (kgf)	Weight (lb)
010	19077-16020	ASSY CAMSHAFT FUEL	1				3	6.6
020	19077-16170	CAMSHAFT FUEL	1				1.12	2.464
030	08153-06205	BEARING BALL	1				0.13	0.286
040	16415-51150	GEAR INJECTION PUMP	1				1.075	2.365
050	05712-00525	KEY FEATHER	1				0.005	0.011
060	04612-00240	CIR CLIP EXTERNAL	1				0.002	0.0044
070	15611-55450	SLEEVE GOVERNOR	1				0.117	0.2574
080	15221-55470	CIR-CLIP GOV. SLEEVE	1				0.003	0.0066
090	15611-55690	CASE GOVERNOR BALL	1				0.03	0.066
100	07715-03205	BALL	39				0.001	0.0022
110	15221-55740	CIR-CLIP	1				0.002	0.0044
120	07715-00403	BALL	7				0.03	0.066
130	08240-00001	BEARING BALL	1				0.19	0.418
140	15221-16320	STOPPER FUEL C/SHAFT	1				0.02	0.044
150	01123-60814	BOLT	2				0.008	0.0176

ENGINE STOP LEVER



16493-016-11

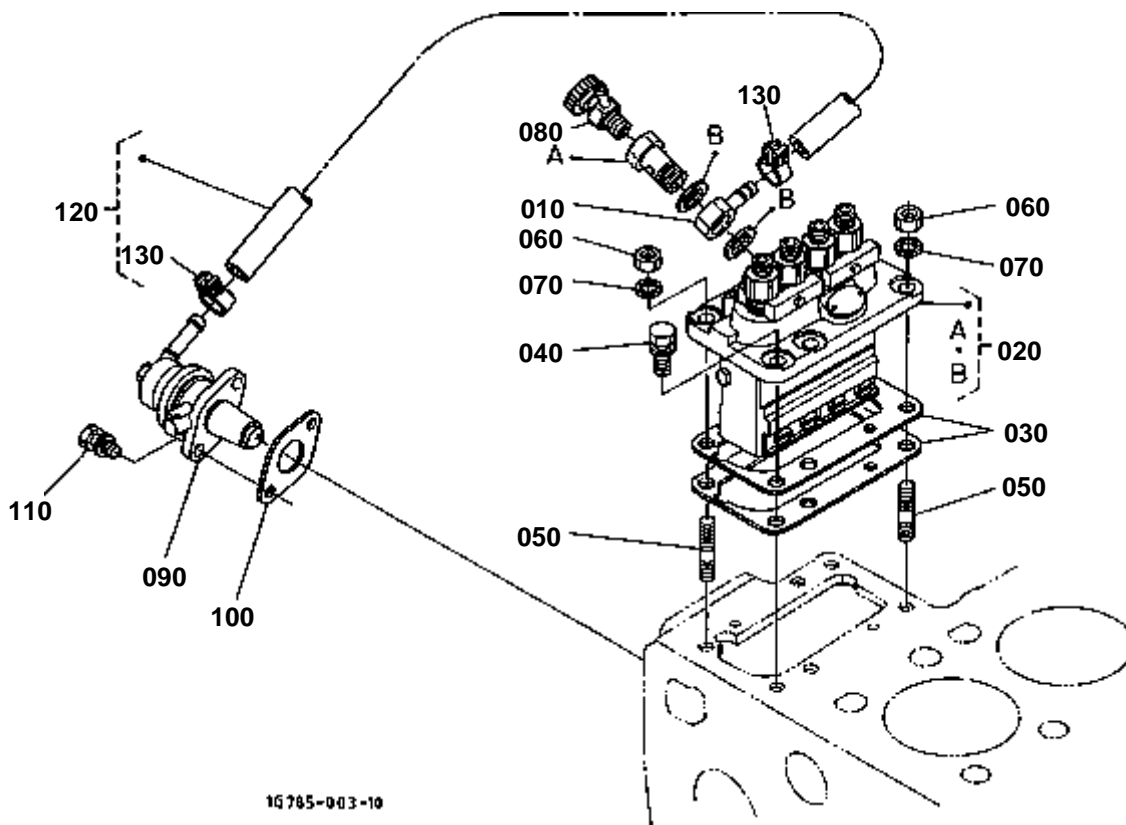


ENGINE STOP LEVER

↔ Interchangeable; ≠ not interchangeable; ← new for old; → old for new

REF.No	Part No.	Description	Q'ty	S.No.	I/C	REMARKS	Weight (kgf)	Weight (lb)
010	15521-54090	APPARATUS IDLING	1				0.045	0.099
020	15521-54100	ASSY BOLT ADJUSTMENT	1				0.015	0.033
025	15521-54260	SPRING	1				0.001	0.0022
030	15401-92010	NUT	1				0.01	0.022
040	15521-92330	NUT	1				0.02	0.044
050	15021-33660	GASKET	2				0.001	0.0022
060	15521-54270	CAP	1				0.003	0.0066
070	17331-57702	ASSY LEVER ENG.STOP	1				0.19	0.418
080	15471-51652	COVER INJECTION PUMP	1				0.02	0.044
090	17331-57740	SHAFT LEVER	1				0.04	0.088
100	17331-57720	LEVER ENGINE STOP	1				0.05	0.11
110	15471-57980	SEAL OIL	1				0.001	0.0022
120	05411-00420	PIN SPRING	1				0.001	0.0022
130	15471-57920	SPRING RETURN	1				0.005	0.011
140	15296-51660	GASKET PUMP COVER	1				0	0
140	1A021-51660	GASKET PUMP COVER	1		↔		0.003	0.0066
150	01023-50618	BOLT	1				0.006	0.0132
160	01023-50622	BOLT	2				0.005	0.011
170	04012-50060	WASHER PLAIN	2				0.001	0.0022
180	17394-60110	SUPPORT SOLENOID	1				0.28	0.616

INJECTION PUMP

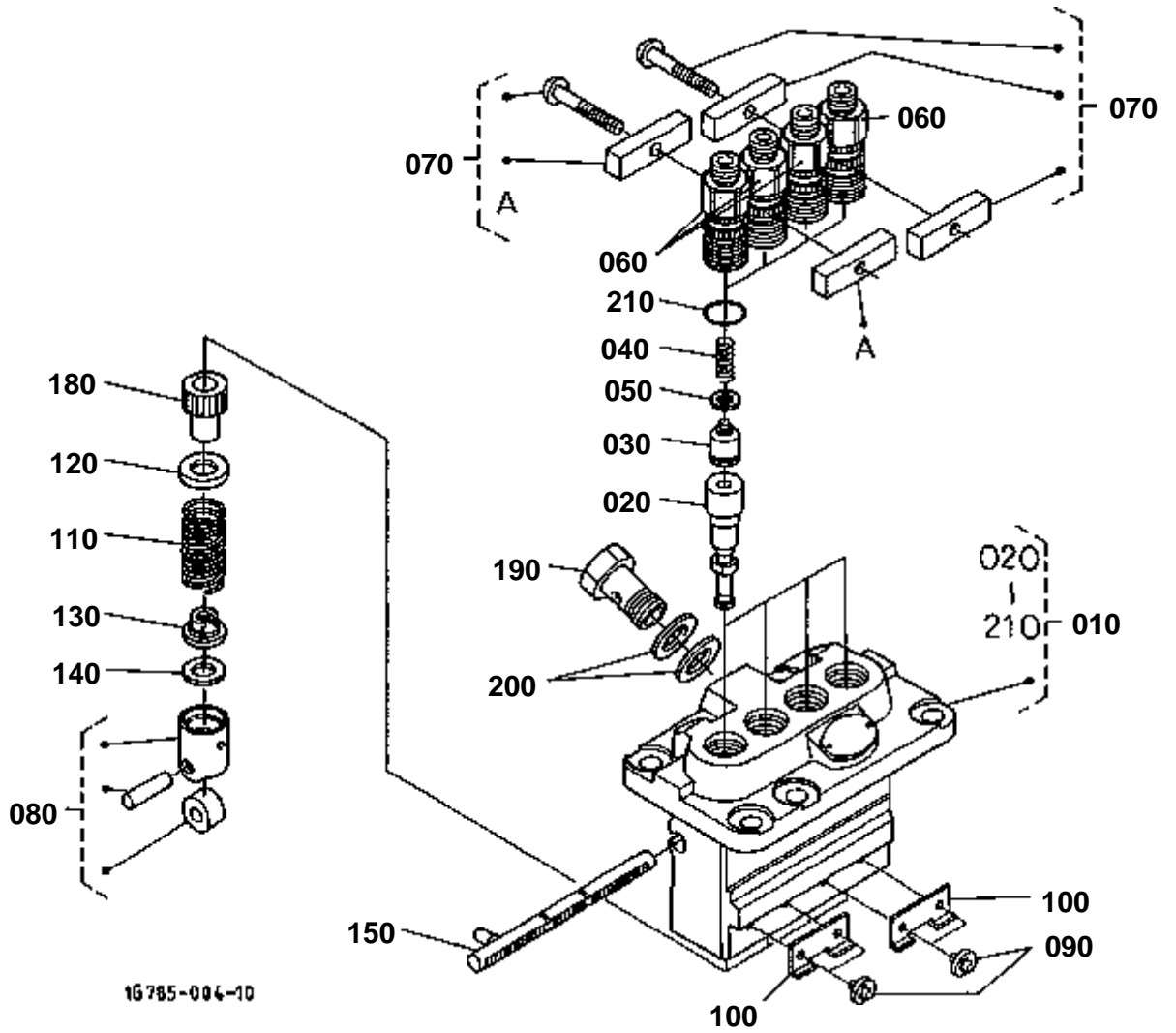


1G785-003-10

**INJECTION PUMP**

↔ Interchangeable; ≠ not interchangeable; ← new for old; → old for new

REF.No	Part No.	Description	Q'ty	S.No.	I/C	REMARKS	Weight (kgf)	Weight (lb)
010	15401-95690	JOINT EYE	1				0.04	0.088
020	1G762-51010	ASSY PUMP INJECTION	1				2.5	5.5
030	19077-52090	SHIM INJECTION PUMP	1	≤2G4502		0.20mm	0.006	0.0132
030	19077-52092	SHIM INJECTION PUMP	1	≥2J0001	≠	0.20mm	0.006	0.0132
030	19077-52110	SHIM INJECTION PUMP	1	≤2G4502		0.25mm	0.002	0.0044
030	19077-52113	SHIM INJECTION PUMP	1	≥2J0001	≠	0.25mm	0.002	0.0044
030	19077-52120	SHIM INJECTION PUMP	1	≤2G4502		0.30mm	0.01	0.022
030	19077-52123	SHIM INJECTION PUMP	1	≥2J0001	≠	0.30mm	0.01	0.022
040	01123-50822	BOLT	4				0.012	0.0264
050	15221-91530	STUD	2				0.011	0.0242
060	02156-50080	NUT	2				0.004	0.0088
070	04512-60080	WASHER SPRING	2				0.002	0.0044
080	14311-60504	ASSY COCK JET START	1				0.034	0.0748
090	17121-52030	ASSY PUMP FUEL	1				0.13	0.286
100	15263-52140	GASKET FUEL PUMP	1				0	0
100	1A021-52140	GASKET FUEL PUMP	1		↔		0.001	0.0022
110	01023-50616	BOLT	2				0.005	0.011
120	32400-35510	ASSY PIPE FUEL	1				0.035	0.077
130	14301-42750	CLIP PIPE	2				0.005	0.011

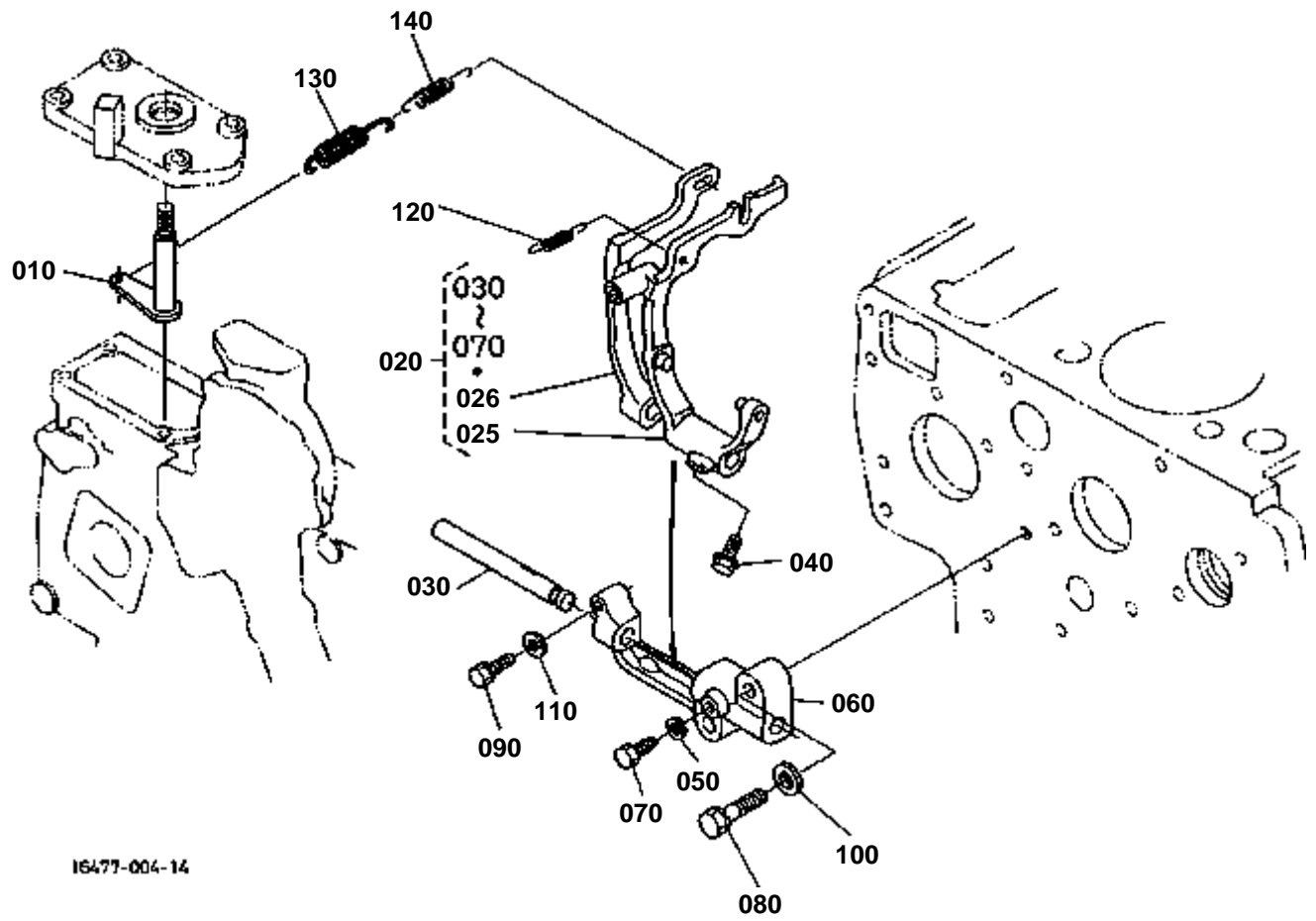




INJECTION PUMP [COMPONENT PARTS]

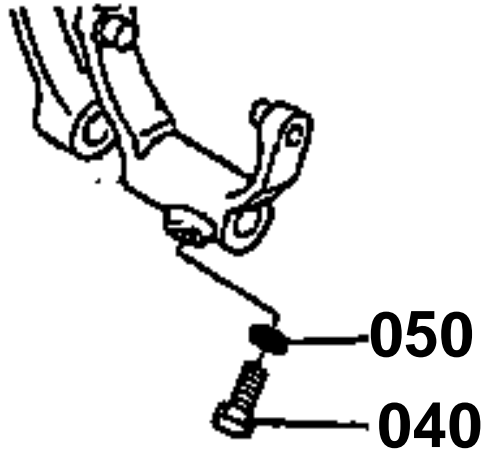
↔ Interchangeable; ≠ not interchangeable; ← new for old; → old for new

REF.No	Part No.	Description	Q'ty	S.No.	I/C	REMARKS	Weight (kgf)	Weight (lb)
010	1G762-51010	ASSY PUMP INJECTION	1				2.5	5.5
020	16454-51050	PLUNGER PUMP	4				0.05	0.11
030	16454-51030	VALVE DELIVERY.	4				0.015	0.033
040	16454-51230	SPRING DELIV.VALVE	4				0.005	0.011
050	15221-51240	GASKET DELIV.VALVE	4				0.001	0.0022
060	16415-51220	HOLDER DELIV.VALVE	4				0.07	0.154
070	16475-51610	ASSY PLATE LOCK	2				0.06	0.132
080	15221-51070	ASSY TAPPET	4				0.039	0.0858
090	14611-51250	PIN TAPPET GUIDE	4				0.003	0.0066
100	14611-51440	PLATE	2				0.005	0.011
110	15221-51280	SPRING PLUNGER	4				0.015	0.033
120	15221-51270	SEAT SPRING UPPER	4				0.004	0.0088
130	15221-51290	SEAT SPRING LOWER	4				0.01	0.022
140	19077-51490	SHIM	4				0.001	0.0022
150	15401-51060	RACK CONTROL	1				0.05	0.11
160	99999-99999	BLANK	0				0	0
170	99999-99999	BLANK	0				0	0
180	15221-51382	SLEEVE CONTROL	4				0.011	0.0242
190	15471-51320	SCREW FOLLOW	1				0.032	0.0704
200	15401-96650	GASKET	2				0.001	0.0022
210	14611-51200	O RING	4				0.001	0.0022



040 15021-5624-0

050 04512-60060



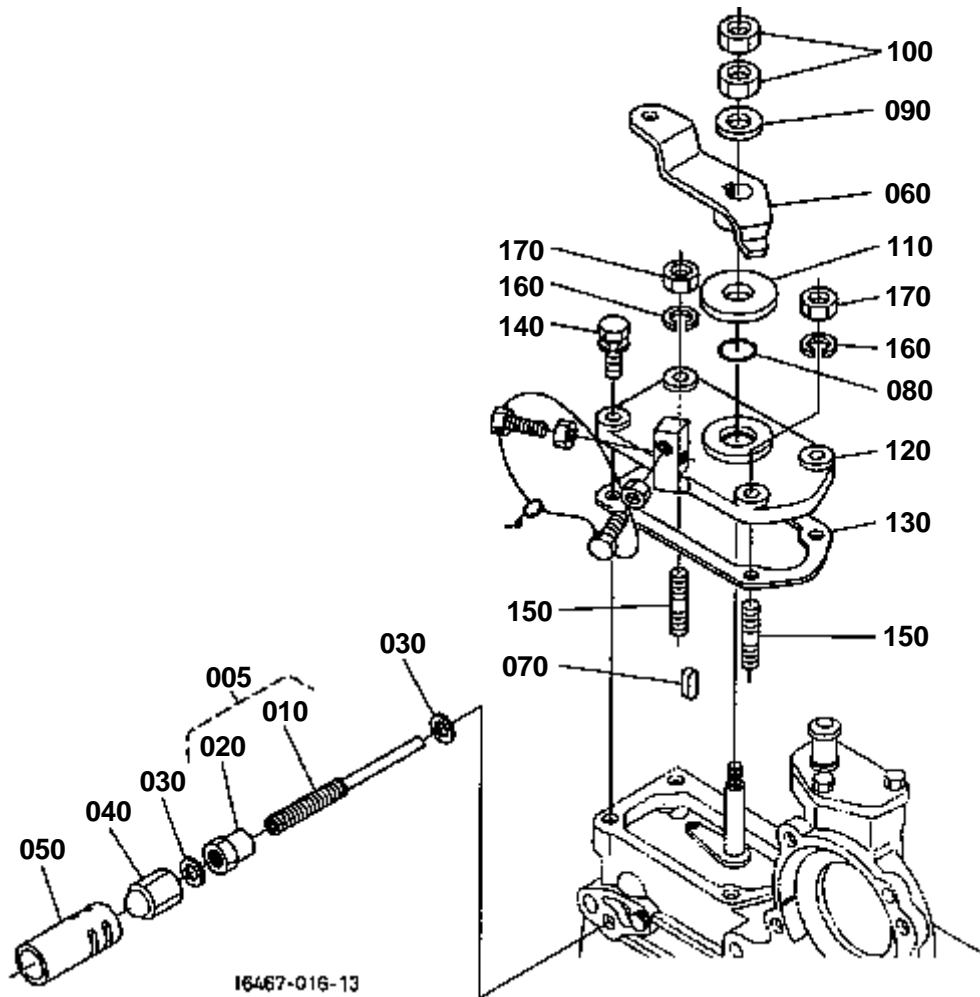
1G782-802-10

**GOVERNOR**

↔ Interchangeable; ≠ not interchangeable; ← new for old; → old for new

REF.No	Part No.	Description	Q'ty	S.No.	I/C	REMARKS	Weight (kgf)	Weight (lb)
010	15601-56020	COMP.LEVER GOVERNOR	1				0.055	0.121
020	1G785-56050	ASSY LEVER FORK	1				0.405	0.891
025	1G785-56040	COMP.LEVER FORK	1				0.19	0.418
026	17331-56130	LEVER FORK	1				0.065	0.143
030	15221-56150	SHAFT FORK LEVER	1	←=2A3094			0.1	0.22
030	1G911-56150	SHAFT FORK LEVER	1	≥=2C0001	≠		0.05	0.11
040	15021-56240	BOLT LEVER SHAFT	1	←=2A3094			0.005	0.011
040	01754-50618	BOLT FLANGE	1	≥=2C0001	≠		0.01	0.022
050	04512-60060	WASHER SPRING	2	←=2A3094			0.001	0.0022
050	04512-60060	WASHER SPRING	1	≥=2C0001			0.001	0.0022
060	15221-56230	HOLDER FORK LEVER	1				0.1	0.22
070	15221-66410	BOLT	1				0.005	0.011
080	01123-50832	BOLT	2				0.016	0.0352
090	01023-50628	BOLT	1				0.015	0.033
100	04012-50080	WASHER PLAIN	2				0.001	0.0022
110	04012-50060	WASHER PLAIN	1				0.001	0.0022
120	15611-56480	SPRING START	1				0.001	0.0022
130	19077-56412	SPRING	1				0.01	0.022
140	16415-56420	SPRING GOVERNOR	1				0.002	0.0044

SPEED CONTROL PLATE

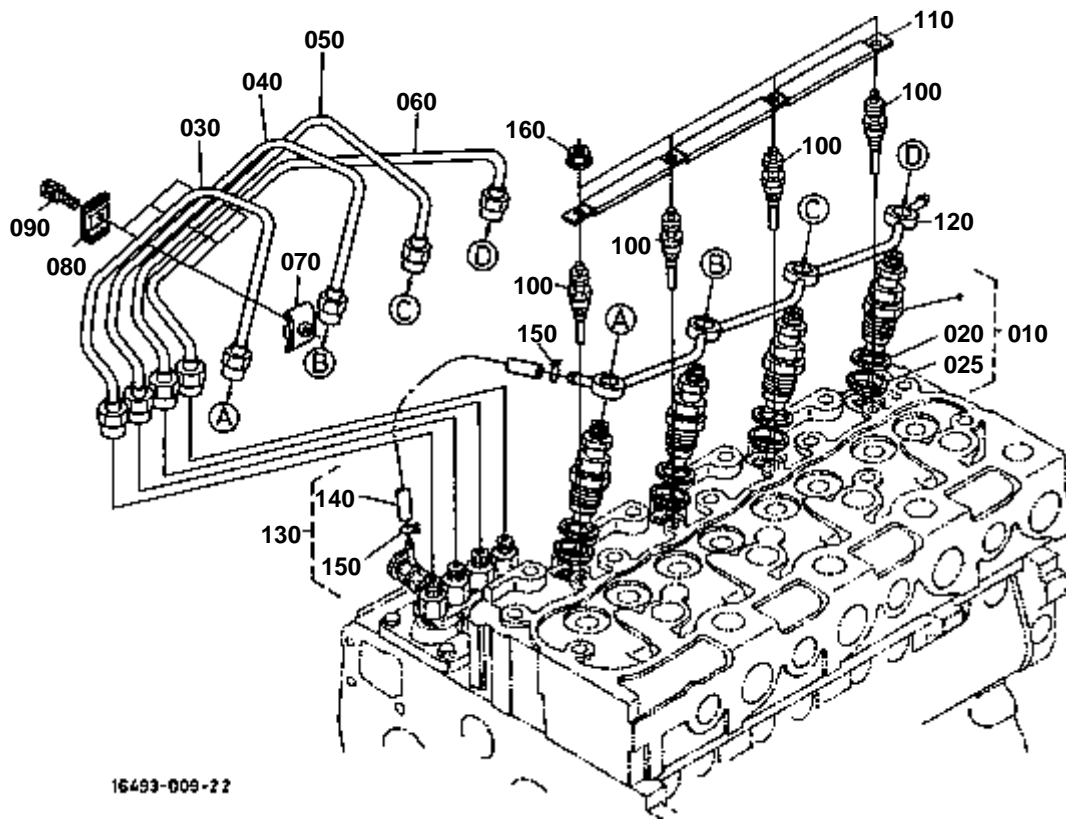


**SPEED CONTROL PLATE**

↔ Interchangeable; ≠ not interchangeable; ← new for old; → old for new

REF.No	Part No.	Description	Q'ty	S.No.	I/C	REMARKS	Weight (kgf)	Weight (lb)
005	1A021-54350	ASSY BOLT ADJUSTMENT	1				0.015	0.033
010	15601-54120	BOLT ADJUSTING	1	≤1Y2848			0.011	0.0242
010	1A021-54120	BOLT ADJUSTING	1	≥2A0001	←		0	0
020	15601-92012	NUT	1				0.006	0.0132
030	15601-96650	GASKET	2				0.001	0.0022
040	15841-14620	NUT	1				0.01	0.022
050	1G833-54290	PIPE LOCK	1				0.012	0.0264
060	15471-57150	LEVER SPEED CONTROL	1				0.05	0.11
070	05712-00408	KEY FEATHER	1				0.001	0.0022
080	04811-00120	O RING	1				0.001	0.0022
080	04817-00120	O RING	1		←		0	0
090	04013-60080	WASHER PLAIN	1				0.002	0.0044
100	02112-50080	NUT	2				0.003	0.0066
110	15521-57240	COLLAR	1				0.002	0.0044
120	15521-57115	PLATE SPEED CONTROL	1				0.1	0.22
130	15439-57210	GASKET	1				0.005	0.011
140	01023-50625	BOLT	2				0.007	0.0154
150	15221-88210	STUD	2				0.005	0.011
160	04512-60060	WASHER SPRING	2				0.001	0.0022
170	02056-50060	NUT	2				0.002	0.0044

NOZZLE HOLDER AND GLOW PLUG



16493-009-22

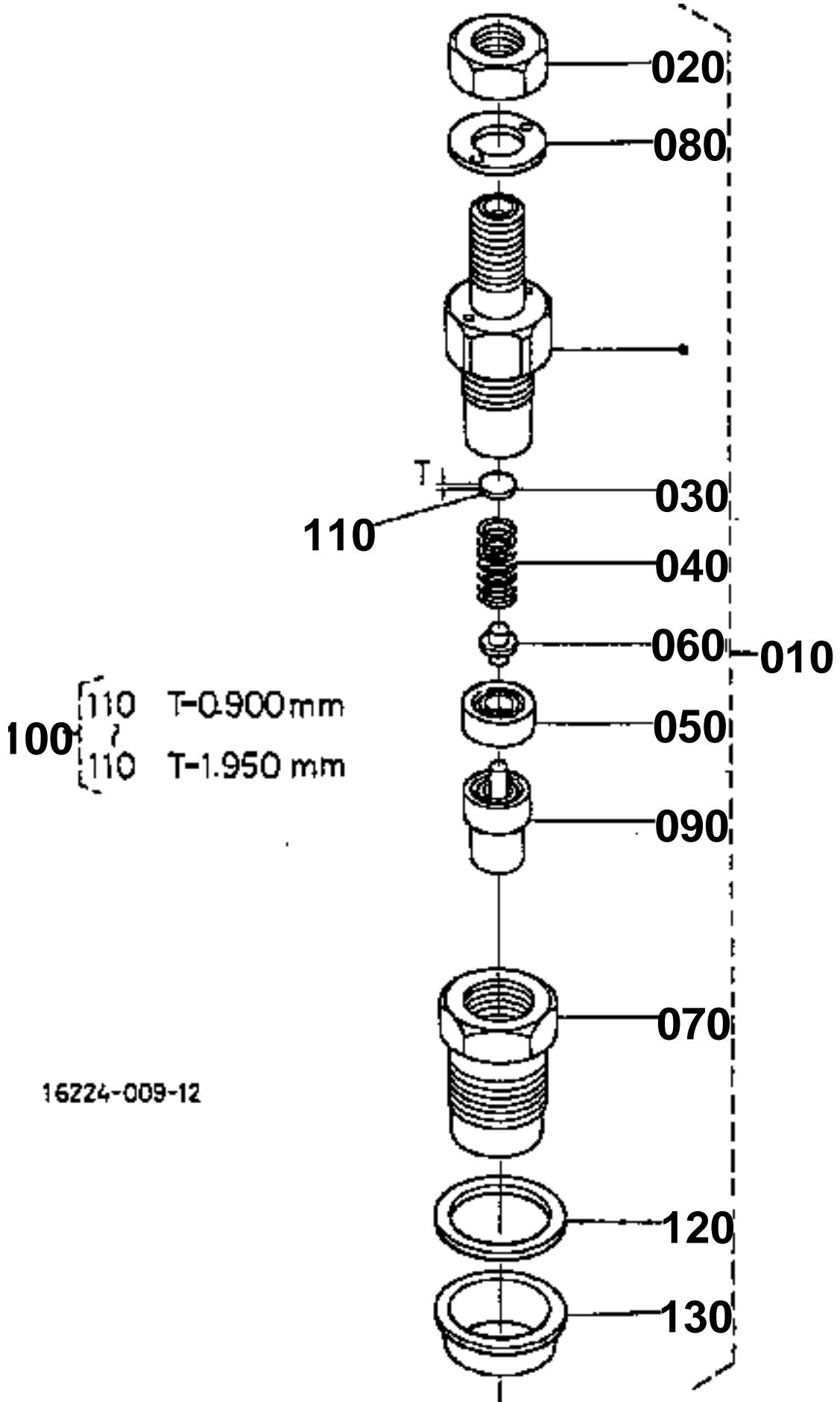


NOZZLE HOLDER AND GLOW PLUG

↔ Interchangeable; ≠ not interchangeable; ← new for old; → old for new

REF.No	Part No.	Description	Q'ty	S.No.	I/C	REMARKS	Weight (kgf)	Weight (lb)
010	16454-53900	KIT HOLDER NOZZLE	4				0.14	0.308
020	15841-53622	GASKET	4				0.002	0.0044
025	19077-53650	SEAL HEAT	4				0.005	0.011
030	19077-53714	PIPE INJECTION	1				0.14	0.308
040	19077-53723	PIPE INJECTION	1				0.14	0.308
050	19077-53733	PIPE INJECTION	1				0.12	0.264
060	19077-53743	PIPE INJECTION	1				0.13	0.286
070	15841-53850	CLAMP PIPE	3				0.01	0.022
080	15841-53860	CLAMP PIPE	3				0.009	0.0198
090	03024-50520	SCREW WITH WASHER	3				0.004	0.0088
100	19077-65510	GLOW PLUG	4				0.03	0.066
110	16475-65560	CORD GLOW PLUG	1				0.02	0.044
120	16454-42502	ASSY PIPE OVER FLOW	1				0.06	0.132
130	34070-42633	ASSY TUBE FUEL	1				0.025	0.055
140	09661-40400	TUBE FUEL	1				0.02	0.044
150	14971-42750	CLIP PIPE	2				0.001	0.0022
160	02761-50040	NUT FLANGE	4				0.002	0.0044

NOZZLE HOLDER [COMPONENT PARTS]



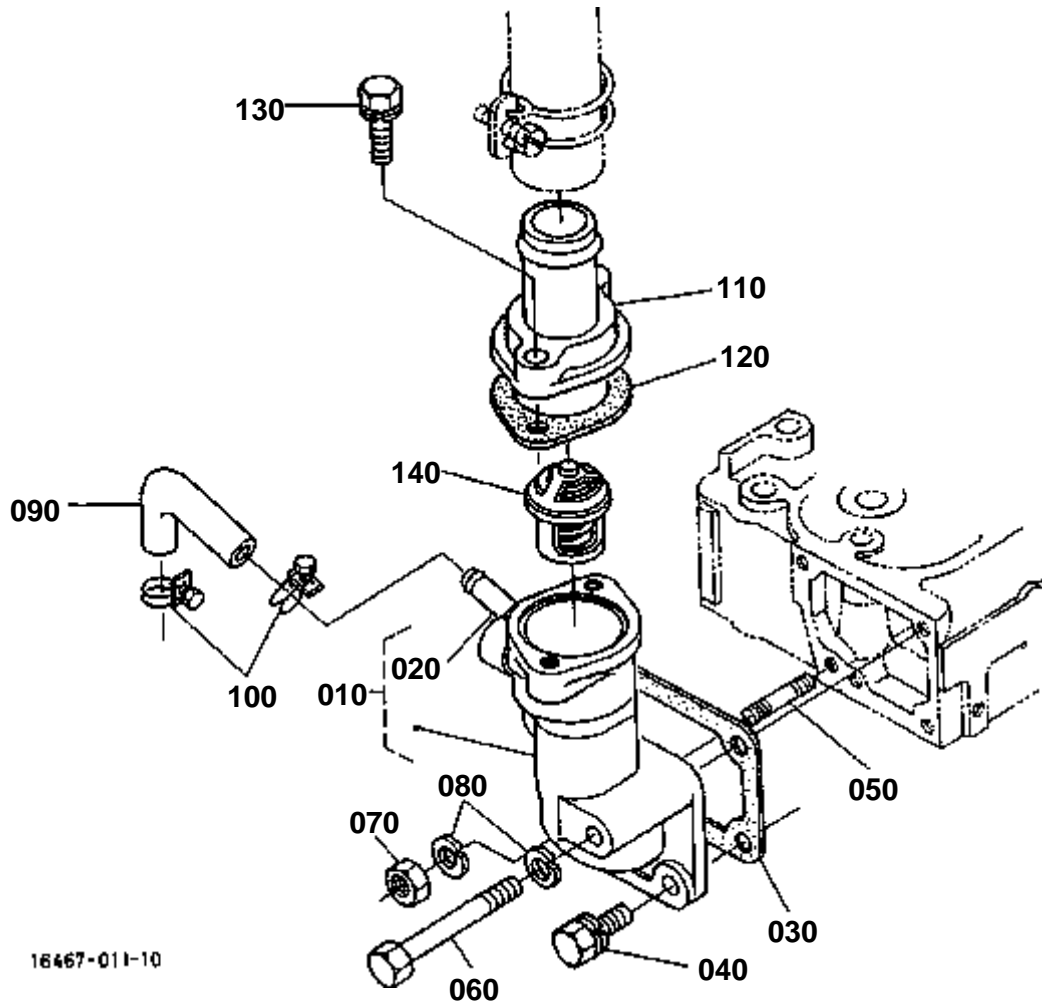
16224-009-12



NOZZLE HOLDER [COMPONENT PARTS]

↔ Interchangeable; ≠ not interchangeable; ← new for old; → old for new

REF.No	Part No.	Description	Q'ty	S.No.	I/C	REMARKS	Weight (kgf)	Weight (lb)
010	16454-53900	KIT HOLDER NOZZLE	4				0.14	0.308
020	15841-92030	NUT	4				0.005	0.011
030	15841-53230	WASHER ADJUSTING	4				0.001	0.0022
040	16475-53170	SPRING NOZZLE	4				0.005	0.011
050	15841-53350	PIECE DISTANCE	4				0.004	0.0088
060	15841-53160	PUSH ROD	4				0.001	0.0022
070	16475-53280	NUT NOZZLE	4				0.03	0.066
080	15841-94040	WASHER	4				0.001	0.0022
090	16454-53610	PIECE NOZZLE	4				0.024	0.0528
100	15841-98100	ASSY WASHER ADJUST	4			OPTION	0.043	0.0946
110	15841-53230	WASHER ADJUSTING	4			0.900mm	0.001	0.0022
110	15841-98510	WASHER ADJUSTING	4			0.925mm	0.001	0.0022
110	15841-98520	WASHER ADJUSTING	4			0.950mm	0.001	0.0022
110	15841-98530	WASHER ADJUSTING	4			0.975mm	0.001	0.0022
110	15841-98540	WASHER ADJUSTING	4			1.000mm	0.001	0.0022
110	15841-98550	WASHER ADJUSTING	4			1.025mm	0.001	0.0022
110	15841-98560	WASHER ADJUSTING	4			1.050mm	0.001	0.0022
110	15841-98570	WASHER ADJUSTING	4			1.075mm	0.001	0.0022
110	15841-98580	WASHER ADJUSTING	4			1.100mm	0.001	0.0022
110	15841-98590	WASHER ADJUSTING	4			1.125mm	0.001	0.0022
110	15841-98600	WASHER ADJUSTING	4			1.150mm	0.001	0.0022
110	15841-98610	WASHER ADJUSTING	4			1.175mm	0.001	0.0022
110	15841-98620	WASHER ADJUSTING	4			1.200mm	0.001	0.0022
110	15841-98630	WASHER ADJUSTING	4			1.225mm	0.001	0.0022
110	15841-98640	WASHER ADJUSTING	4			1.250mm	0.001	0.0022
110	15841-98650	WASHER ADJUSTING	4			1.275mm	0.001	0.0022
110	15841-98660	WASHER ADJUSTING	4			1.300mm	0.001	0.0022
110	15841-98670	WASHER ADJUSTING	4			1.325mm	0.001	0.0022
110	15841-98680	WASHER ADJUSTING	4			1.350mm	0.001	0.0022
110	15841-98690	WASHER ADJUSTING	4			1.375mm	0.001	0.0022
110	15841-98700	WASHER ADJUSTING	4			1.400mm	0.001	0.0022
110	15841-98710	WASHER ADJUSTING	4			1.425mm	0.001	0.0022
110	15841-98720	WASHER ADJUSTING	4			1.450mm	0.001	0.0022
110	15841-98730	WASHER ADJUSTING	4			1.475mm	0.001	0.0022
110	15841-98740	WASHER ADJUSTING	4			1.500mm	0.001	0.0022
110	15841-98750	WASHER ADJUSTING	4			1.525mm	0.001	0.0022
110	15841-98760	WASHER ADJUSTING	4			1.550mm	0.001	0.0022
110	15841-98770	WASHER ADJUSTING	4			1.575mm	0.001	0.0022
110	15841-98780	WASHER ADJUSTING	4			1.600mm	0.002	0.0044
110	15841-98790	WASHER ADJUSTING	4			1.625mm	0.001	0.0022
110	15841-98800	WASHER ADJUSTING	4			1.650mm	0.001	0.0022
110	15841-98810	WASHER ADJUSTING	4			1.675mm	0.004	0.0088
110	15841-98820	WASHER ADJUSTING	4			1.700mm	0.001	0.0022
110	15841-98830	WASHER ADJUSTING	4			1.725mm	0.001	0.0022
110	15841-98840	WASHER ADJUSTING	4			1.750mm	0.001	0.0022
110	15841-98850	WASHER ADJUSTING	4			1.775mm	0.001	0.0022
110	15841-98860	WASHER ADJUSTING	4			1.800mm	0.001	0.0022
110	15841-98870	WASHER ADJUSTING	4			1.825mm	0.001	0.0022
110	15841-98880	WASHER ADJUSTING	4			1.850mm	0.001	0.0022
110	15841-98890	WASHER ADJUSTING	4			1.875mm	0.001	0.0022
110	15841-98900	WASHER ADJUSTING	4			1.900mm	0.001	0.0022
110	15841-98910	WASHER ADJUSTING	4			1.925mm	0.001	0.0022
110	15841-98920	WASHER ADJUSTING	4			1.950mm	0.001	0.0022
120	15841-53622	GASKET	4				0.002	0.0044
130	19077-53650	SEAL HEAT	4				0.005	0.011

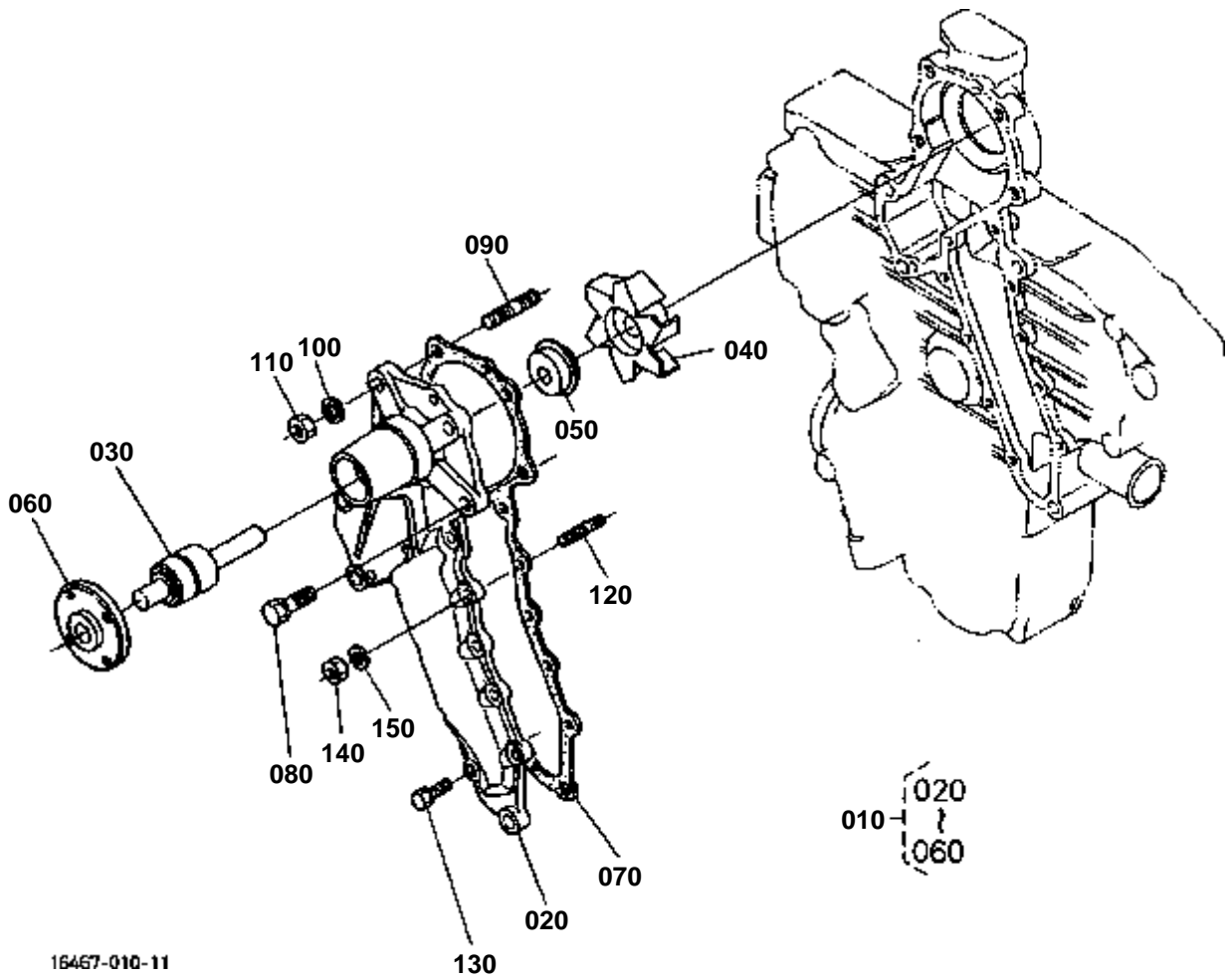


**WATER FLANGE AND THERMOSTAT [ROPS TYPE]**

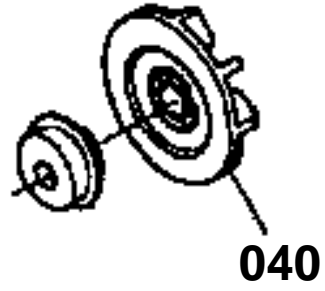
↔ Interchangeable; ≠ not interchangeable; ← new for old; → old for new

REF.No	Part No.	Description	Q'ty	S.No.	I/C	REMARKS	Weight (kgf)	Weight (lb)
010	16415-72702	COMP.FLANGE WATER	1				0.35	0.77
020	17331-73342	PIPE WATER RETURN	1				0.01	0.022
030	15766-72920	GASKET WATER FLANGE	1				0	0
030	1A021-72920	GASKET WATER FLANGE	1		↔		0.002	0.0044
040	01123-50820	BOLT	2				0.011	0.0242
050	15221-91530	STUD	1				0.011	0.0242
060	01153-50875	BOLT	1				0.028	0.0616
070	02156-50080	NUT	1				0.004	0.0088
080	04512-60080	WASHER SPRING	2				0.002	0.0044
090	15521-73340	PIPE WATER RETURN	1				0.025	0.055
100	15109-73360	BAND PIPE	2				0.01	0.022
110	15321-73260	COVER THERMOSTAT	1				0.107	0.2354
120	15313-73270	GASKET THERMOSTAT	1				0	0
120	1A021-73270	GASKET THERMO.COVER	1	<=1E3576	↔		0.001	0.0022
120	16221-73270	GASKET THERMOSTAT	1	>=1G0001	←		0.003	0.0066
130	01123-50835	BOLT	2				0.02	0.044
140	19434-73010	ASSY THERMOSTAT	1	<=1A3706			0	0
140	19434-73014	ASSY THERMOSTAT	1	>=1C0001	←		0	0

WATER PUMP



040 16661-7351-0



1A012-801-10

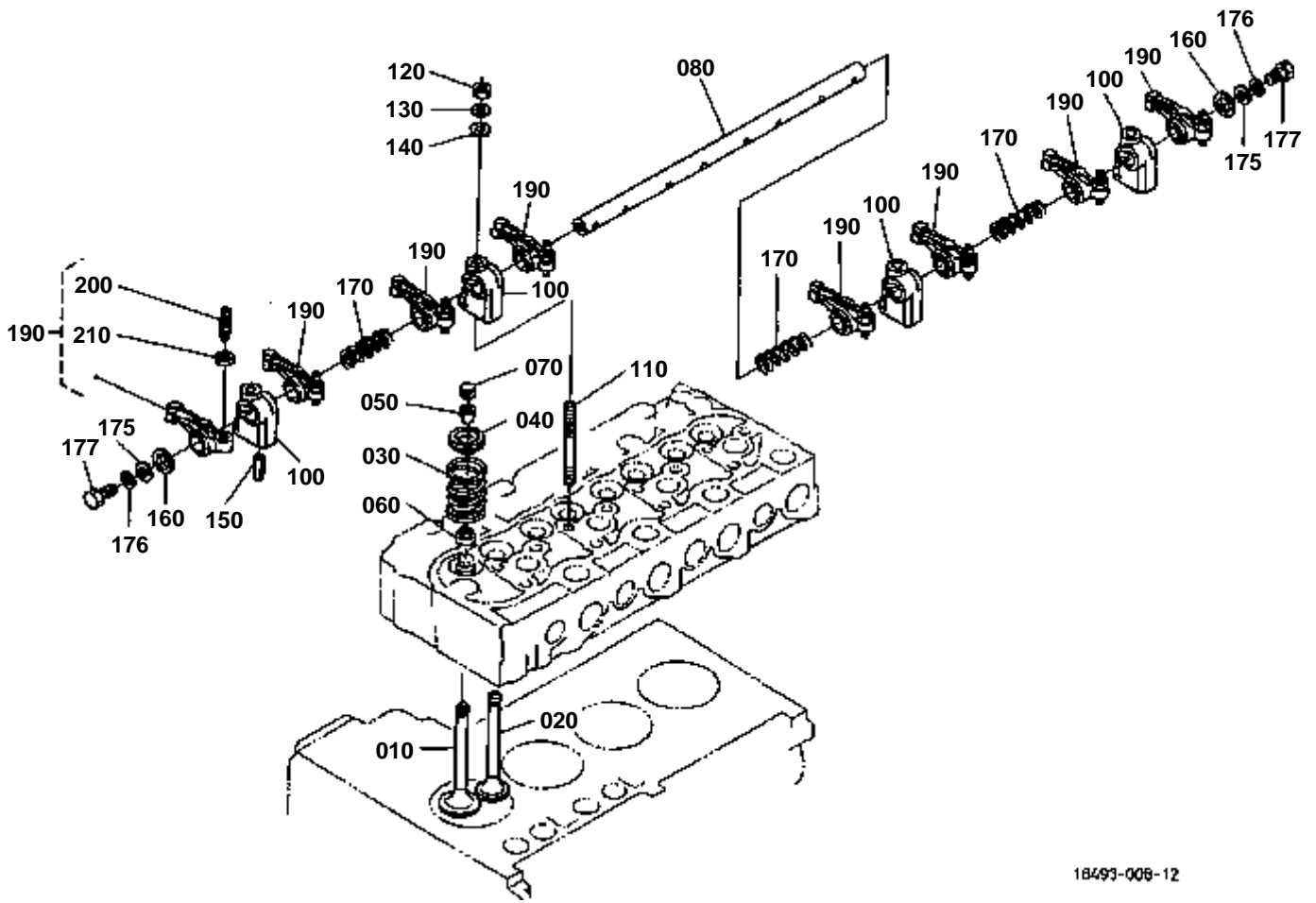


WATER PUMP

↔ Interchangeable; ≠ not interchangeable; ← new for old; → old for new

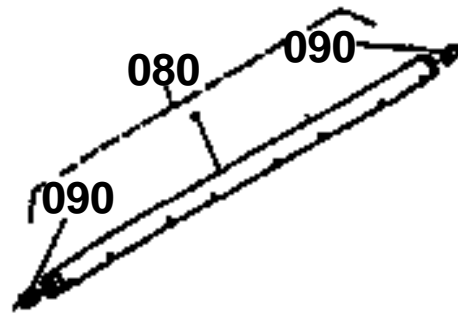
REF.No	Part No.	Description	Q'ty	S.No.	I/C	REMARKS	Weight (kgf)	Weight (lb)
010	16412-73030	ASSY PUMP WATER	1	<=1W2630			1.21	2.662
010	1A021-73030	ASSY PUMP WATER	1	>=1Y0001	←		0	0
020	17331-73410	BODY WATER PUMP	1				0.51	1.122
030	15521-73550	BEARING	1				0.235	0.517
040	16661-73510	IMPELLER WATER PUMP	1	<=1W2630			0.195	0.429
040	1A021-73510	IMPELLER WATER PUMP	1	>=1Y0001	←		0	0
050	16661-73050	ASSY SEAL MECHANICAL	1				0.025	0.055
060	15521-73520	FLANGE WATER PUMP	1				0.25	0.55
070	17326-73430	GASKET WATER PUMP	1				0	0
070	1A021-73430	GASKET WATER PUMP	1		↔		0.007	0.0154
080	01123-50828	BOLT	3				0.014	0.0308
090	15521-91510	STUD	1				0.012	0.0264
100	04512-60080	WASHER SPRING	1				0.002	0.0044
110	02156-50080	NUT	1				0.004	0.0088
120	15221-88210	STUD	1				0.005	0.011
130	01023-50618	BOLT	8				0.006	0.0132
140	02056-50060	NUT	1				0.002	0.0044
150	04512-60060	WASHER SPRING	1				0.001	0.0022

VALVE AND ROCKER ARM



18493-008-12

080 15401-1405-2
090 03410-00808



180 04612-00140



16493-807-10

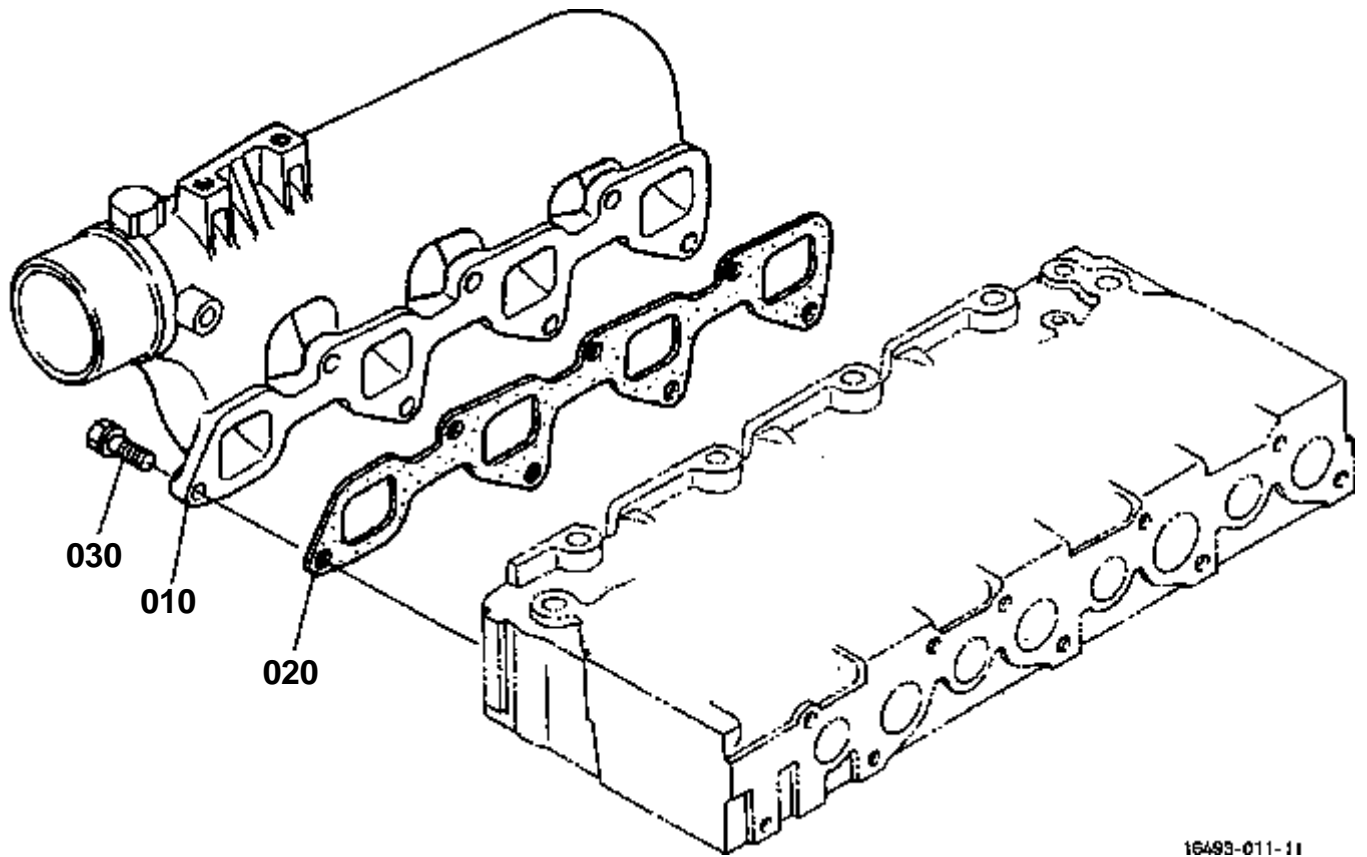


VALVE AND ROCKER ARM

↔ Interchangeable; ≠ not interchangeable; ← new for old; → old for new

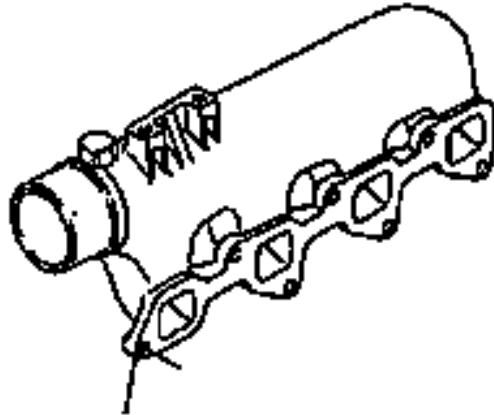
REF.No	Part No.	Description	Q'ty	S.No.	I/C	REMARKS	Weight (kgf)	Weight (lb)
010	16484-13110	VALVE INLET	4				0.05	0.11
020	16484-13120	VALVE EXHAUST	4				0.1	0.22
030	15221-13240	SPRING VALVE	8				0.036	0.0792
040	15221-13330	RETAINER VALVE SP.	8				0.03	0.066
050	15221-13360	COLLET VALVE SPRING	8			SET	0	0
050	15221-13980	COLLET VALVE SPRING	8		↔	SET	0.005	0.011
060	15221-13150	SEAL VALVE STEM	8				0.001	0.0022
070	15221-13280	CAP VALVE	8				0.006	0.0132
080	15401-14052	ASSY SHAFT R-ARM	1	≤1Y2848			0.32	0.704
080	1A091-14260	SHAFT ROCKER ARM	1	≥2A0001	≠		0.313	0.6886
090	03410-50808	SCREW SET	2	≤1Y2848			0.002	0.0044
100	15221-14350	BRACKET ROCKER ARM	4				0.044	0.0968
110	15521-91500	STUD	4				0.035	0.077
120	02156-50080	NUT	4				0.004	0.0088
130	04512-60080	WASHER SPRING	4				0.002	0.0044
140	04012-50080	WASHER PLAIN	4				0.001	0.0022
150	05411-00528	PIN SPRING	1				0.003	0.0066
160	15221-14430	WASHER R-ARM.SHAFT	2				0.002	0.0044
170	15221-14310	SPRING ROCKER ARM	3				0.005	0.011
175	04013-60080	WASHER PLAIN	2	≥2A0001			0.002	0.0044
176	04512-60080	WASHER SPRING	2	≥2A0001			0.002	0.0044
177	01153-50812	BOLT	2	≥2A0001			0.008	0.0176
180	04612-00140	CIR CLIP EXTERNAL	2	≤1Y2848			0.001	0.0022
190	15621-14030	ASSY ROCKER ARM	8				0.1	0.22
200	15521-14230	SCREW ADJUSTING	8				0.009	0.0198
210	15021-14240	NUT	8				0.003	0.0066

INLET MANIFOLD [ROPS TYPE]



16493-011-11

010 16475-1176-0



010

16493-808-10

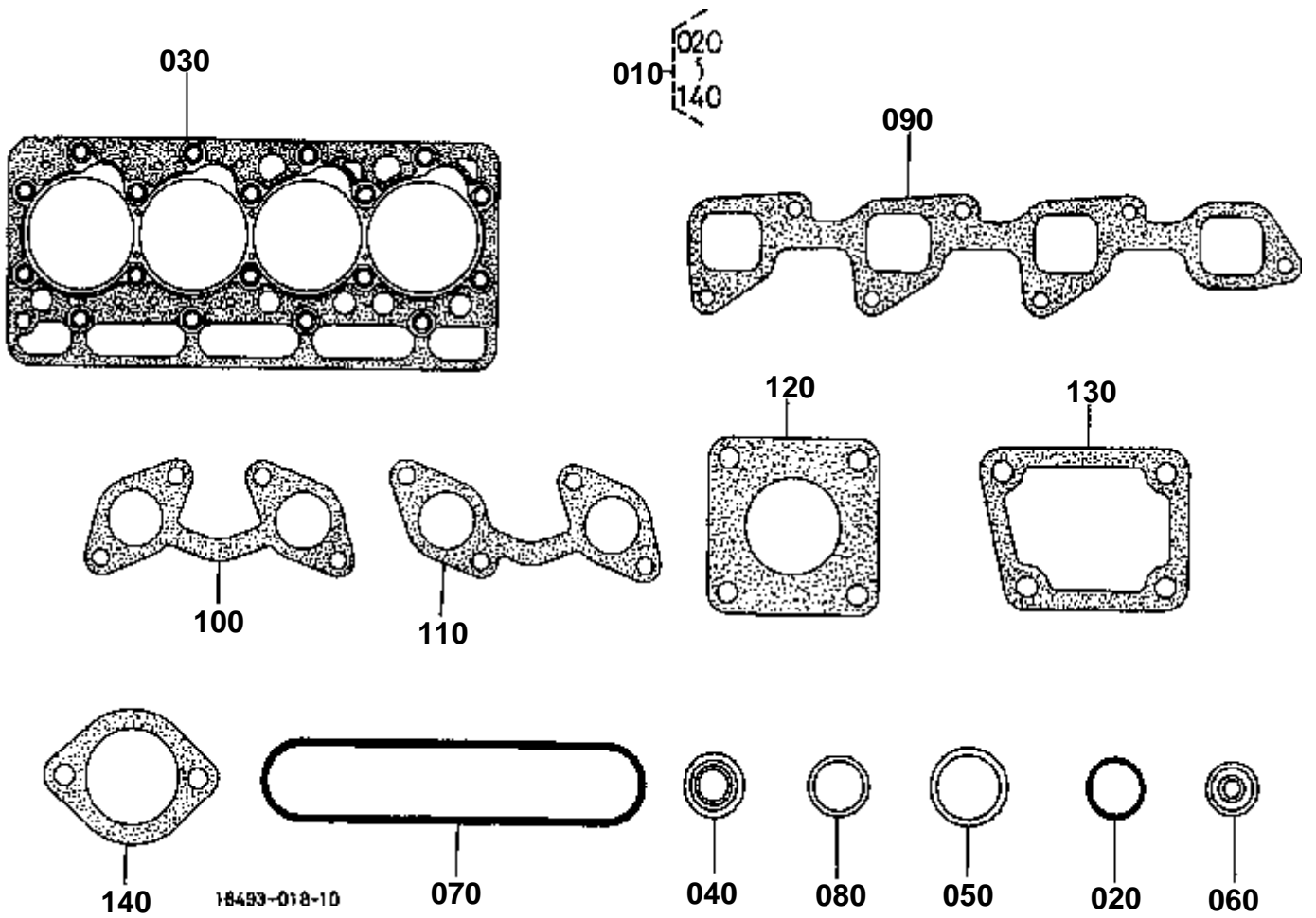


INLET MANIFOLD [ROPS TYPE]

↔ Interchangeable; ≠ not interchangeable; ← new for old; → old for new

REF.No	Part No.	Description	Q'ty	S.No.	I/C	REMARKS	Weight (kgf)	Weight (lb)
010	16475-11760	MANIFOLD INLET	1	<=1Y2848			1.16	2.552
010	16429-11760	MANIFOLD INLET	1	>=2A0001	←		1.19	2.618
020	16423-11820	GASKET IN-MANIFOLUDO	1				0.018	0.0396
030	01123-50822	BOLT	7				0.012	0.0264

UPPER GASKET KIT



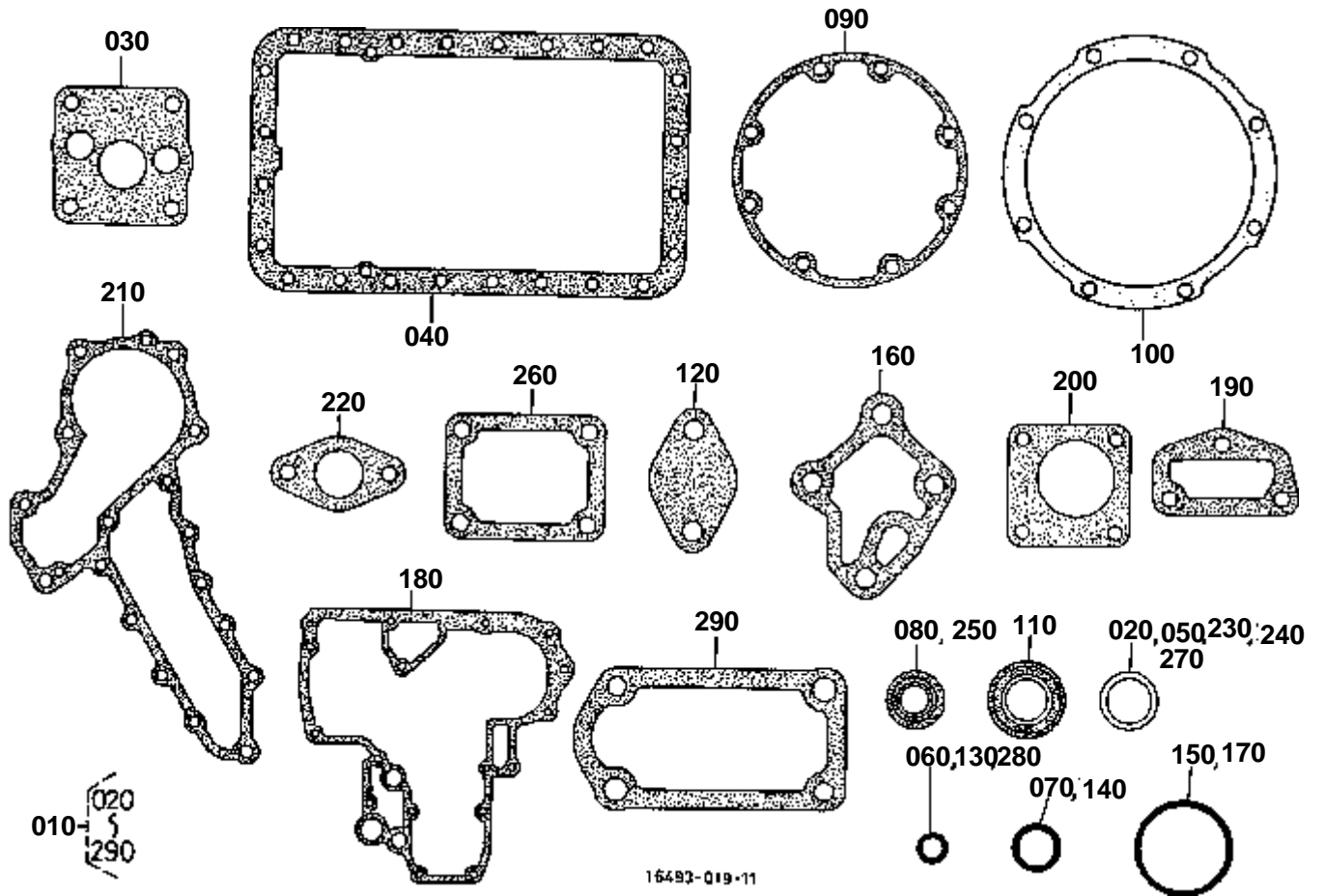


UPPER GASKET KIT

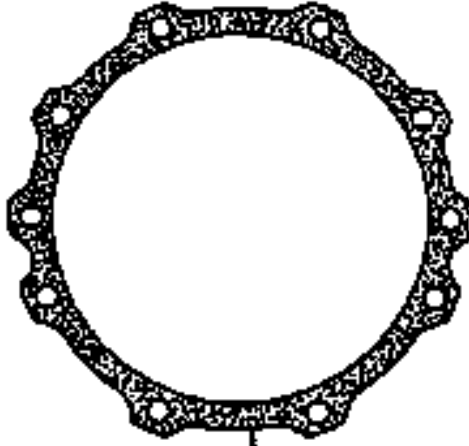
↔ Interchangeable; ≠ not interchangeable; ← new for old; → old for new

REF.No	Part No.	Description	Q'ty	S.No.	I/C	REMARKS	Weight (kgf)	Weight (lb)
010	07916-27746	KIT GASKET UPPER	1				0	0
010	07916-27747	KIT GASKET UPPER	1		↔		0	0
020	15221-33700	O RING	1				0.001	0.0022
030	19077-03310	GASKET CYLINDER HEAD	1				0.13	0.286
040	15221-13150	SEAL VALVE STEM	8				0.001	0.0022
050	15841-53622	GASKET	4				0.002	0.0044
060	19077-53650	SEAL HEAT	4				0.005	0.011
070	15471-14520	GASKET HEAD COVER	1				0.05	0.11
080	15021-33660	GASKET	4				0.001	0.0022
090	16423-11820	GASKET IN-MANIFOLUDO	1				0.018	0.0396
100	15296-12350	GASKET EX-MANIFOLD	1				0	0
100	1A091-12350	GASKET EX-MANIFOLD	1		↔		0.02	0.044
110	15439-12350	GASKET EX-MANIFOLD	1				0.02	0.044
110	1A091-12360	GASKET EX-MANIFOLD	1		↔		0.02	0.044
120	T0070-16420	GASKET MUFFLER	1				0.016	0.0352
130	15766-72920	GASKET WATER FLANGE	1				0	0
130	1A021-72920	GASKET WATER FLANGE	1		↔		0.002	0.0044
140	15313-73270	GASKET THERMOSTAT	1				0	0
140	1A021-73270	GASKET THERMO.COVER	1	<=1E3576	↔		0.001	0.0022
140	16221-73270	GASKET THERMOSTAT	1	>=1G0001	←		0.003	0.0066

LOWER GASKET KIT



100 17118-0483-0



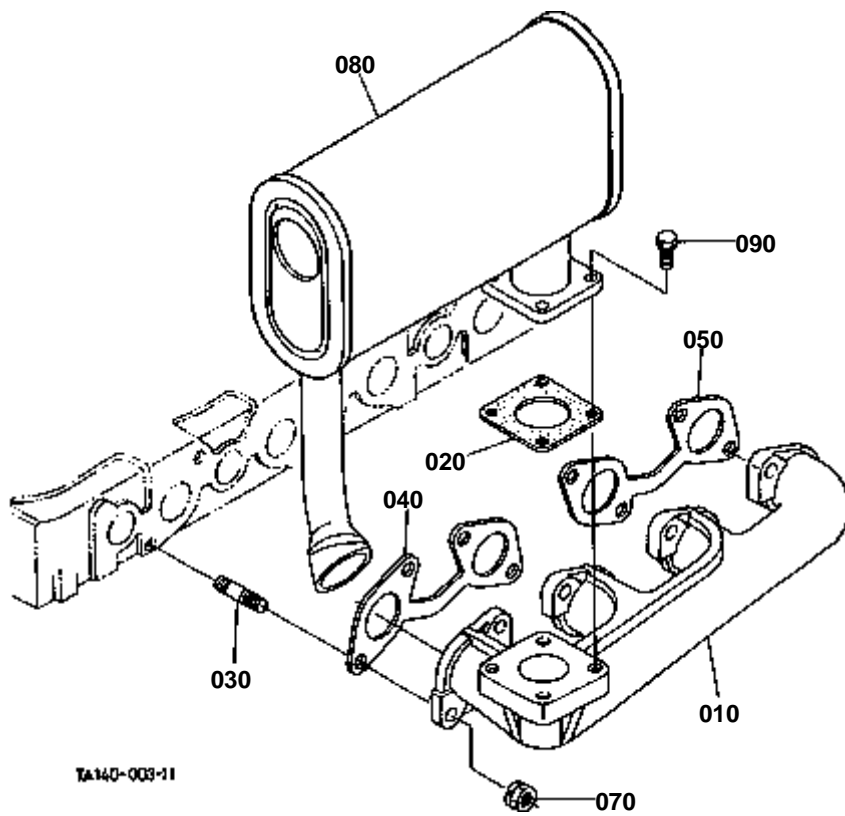
100

16493-806-10

**LOWER GASKET KIT**

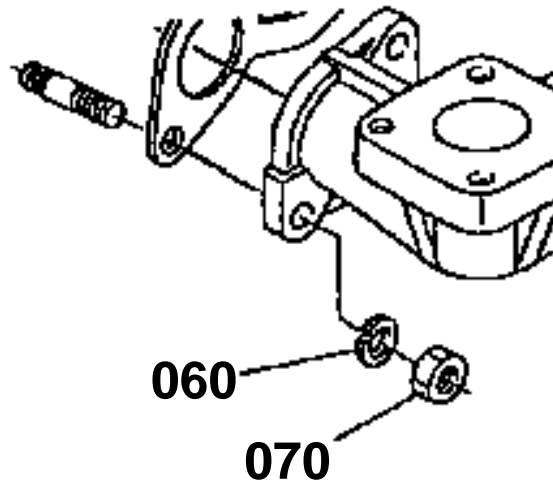
↔ Interchangeable; ≠ not interchangeable; ← new for old; → old for new

REF.No	Part No.	Description	Q'ty	S.No.	I/C	REMARKS	Weight (kgf)	Weight (lb)
010	07916-27755	KIT GASKET LOWER	1				0.3	0.66
010	07916-27756	KIT GASKET LOWER	1		↔		0	0
020	15021-33660	GASKET	1				0.001	0.0022
030	15296-35150	GASKET OIL PUMP	1				0	0
030	1A021-35150	GASKET OIL PUMP	1		↔		0.001	0.0022
040	15815-01620	GASKET OIL PAN	1				0.03	0.066
050	15109-33660	GASKET	2				0.001	0.0022
060	04811-00160	O RING	1				0.001	0.0022
060	04817-00160	O RING	1		←		0	0
070	04811-10300	O RING	1				0.001	0.0022
080	19202-04140	SEAL OIL	1				0.015	0.033
090	19077-04360	GASKET BEARING CASE	1				0.004	0.0088
100	17118-04830	GASKET BRG.CASE COV.	1				0	0
100	1A091-04820	GASKET CASE COVER	1		↔		0.006	0.0132
110	19202-04460	SEAL OIL	1				0.055	0.121
120	15521-04790	PACKING COVER	1				0.005	0.011
130	04811-00150	O RING	3				0.001	0.0022
130	04817-00150	O RING	2		←		0	0
140	04811-00200	O RING	1				0.001	0.0022
140	04817-00200	O RING	1		←		0	0
150	04811-00360	O RING	1				0.002	0.0044
150	04817-00360	O RING	1		←		0	0
160	17326-32620	GASKET	1				0.005	0.011
170	19202-96830	O RING	1				0.01	0.022
180	17326-04132	GASKET GEAR CASE	1				0.03	0.066
190	1A021-73330	GASKET WATER FLANGE	1				0.001	0.0022
190	1A021-73330	GASKET RETURN FLANGE	1		↔		0.001	0.0022
200	15296-88130	GASKET H/METER UNIT	1				0.002	0.0044
210	17326-73430	GASKET WATER PUMP	1				0	0
210	1A021-73430	GASKET WATER PUMP	1		↔		0.007	0.0154
220	15263-52140	GASKET FUEL PUMP	1				0	0
220	1A021-52140	GASKET FUEL PUMP	1		↔		0.001	0.0022
230	15401-96650	GASKET	2				0.001	0.0022
240	15021-33660	GASKET	2				0.001	0.0022
250	15471-57980	SEAL OIL	1				0.001	0.0022
260	15296-51660	GASKET PUMP COVER	1				0	0
260	1A021-51660	GASKET PUMP COVER	1		↔		0.003	0.0066
270	15601-96650	GASKET	2				0.001	0.0022
280	04811-00120	O RING	1				0.001	0.0022
280	04817-00120	O RING	1		←		0	0
290	15439-57210	GASKET	1				0.005	0.011



TA140-003-11

060 04512-50080
070 02156-50080

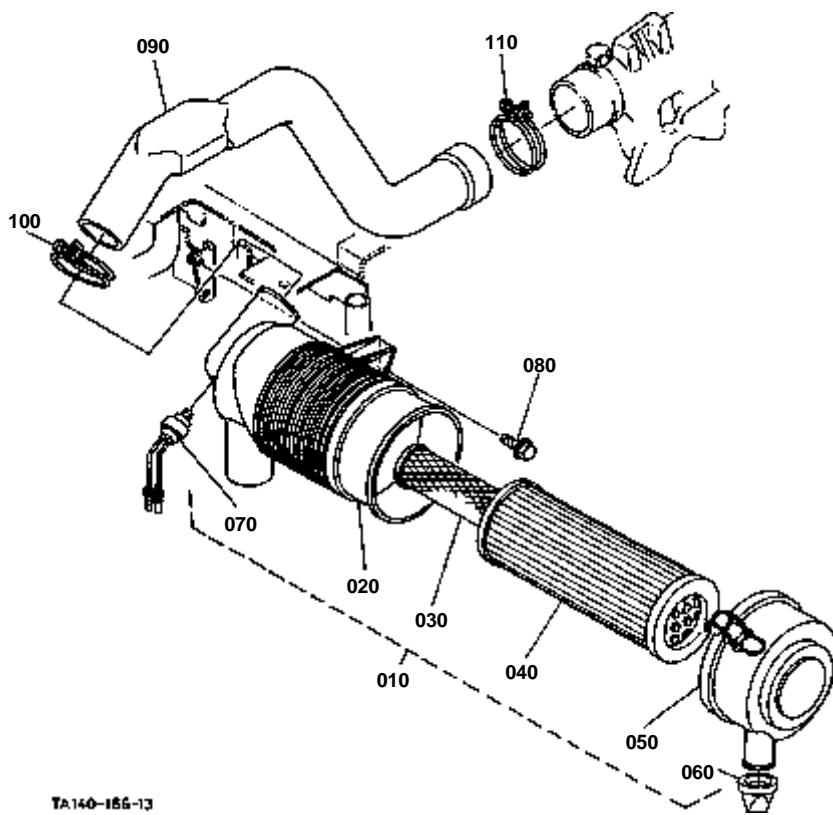


TA140-837-10

**EXHAUST MANIFOLD/MUFFLER**

↔ Interchangeable; ≠ not interchangeable; ← new for old; → old for new

REF.No	Part No.	Description	Q'ty	S.No.	I/C	REMARKS	Weight (kgf)	Weight (lb)
010	17377-12312	MANIFOLD EXHAUST	1				2.95	6.49
020	T0070-16420	GASKET MUFFLER	1				0.016	0.0352
030	15221-91530	STUD	8				0.011	0.0242
040	15296-12350	GASKET EX-MANIFOLD	1				0	0
040	1A091-12350	GASKET EX-MANIFOLD	1		↔		0.02	0.044
050	15439-12350	GASKET EX-MANIFOLD	1				0.02	0.044
050	1A091-12360	GASKET EX-MANIFOLD	1		↔		0.02	0.044
060	04512-60080	WASHER SPRING	8	<=70404			0.002	0.0044
070	02156-50080	NUT	8	<=70404			0.004	0.0088
070	16429-92010	NUT	8	>=70405	←		0.007	0.0154
080	TA140-16410	MUFFLER	1	>=73628	←		5.9	12.98
080	TA140-16414	MUFFLER	1	>=73629	←		5.9	12.98
090	01123-50822	BOLT	4	<=72557			0.012	0.0264
090	01128-50825	BOLT	4	>=72558	←		0	0

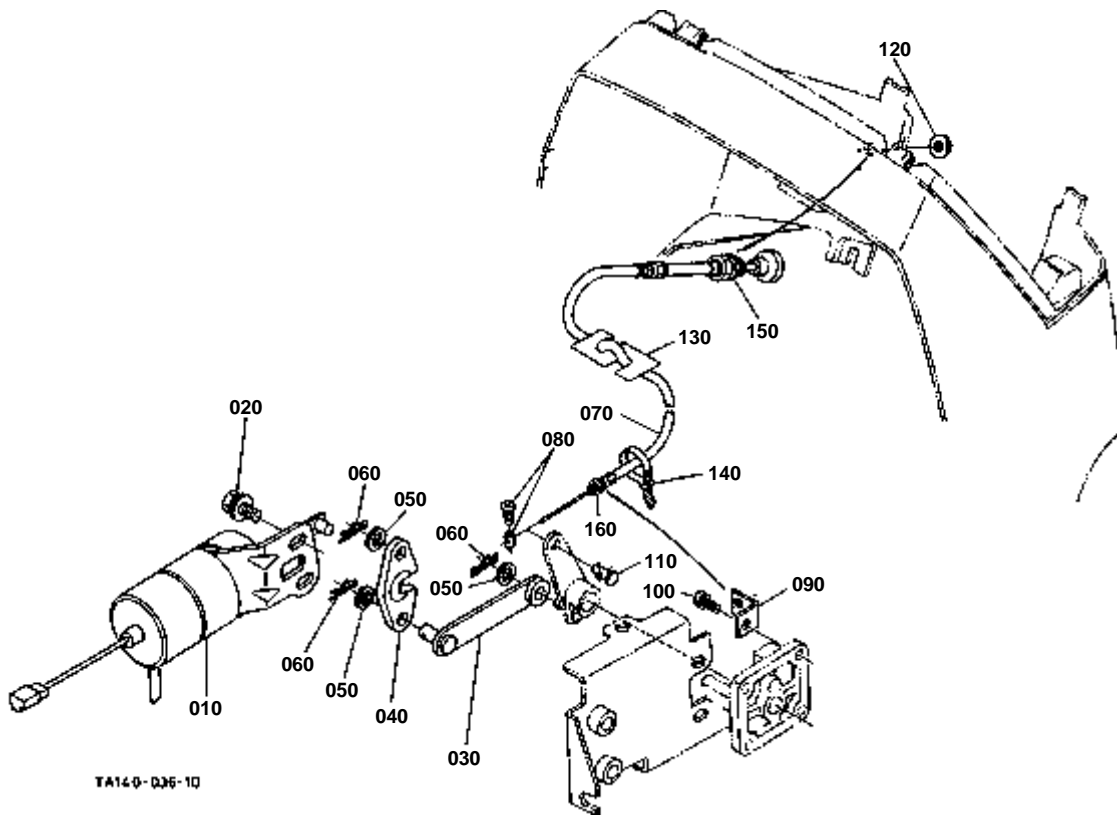


TA140-186-13

**AIR CLEANER [ROPS TYPE]**

↔ Interchangeable; ≠ not interchangeable; ← new for old; → old for new

REF.No	Part No.	Description	Q'ty	S.No.	I/C	REMARKS	Weight (kgf)	Weight (lb)
010	TA140-93202	ASSY CLEANER AIR(W)	1				1.6	3.52
020	TA140-93210	COMP.BODY A/C	1				0.425	0.935
030	TA040-93220	ASSY ELEMENT INNER	1				0.195	0.429
040	TA040-93230	ASSY ELEMENT OUTER	1				0.56	1.232
050	TA140-93240	ASSY COVER A/C	1				0.305	0.671
060	TA040-93250	VALVE EVACUATOR	1				0.011	0.0242
070	15831-11090	ASSY INDICATOR	1				0.03	0.066
080	01754-50816	BOLT FLANGE	2				0.011	0.0242
090	TA150-16300	HOSE	1				1.025	2.255
100	09318-89066	CLAMP HOSE	1				0.036	0.0792
110	09318-89069	CLAMP HOSE	1				0.04	0.088

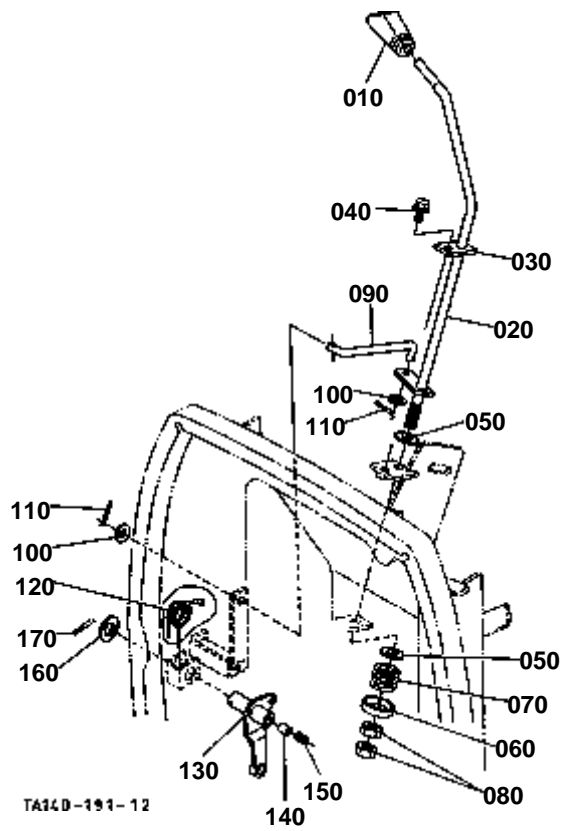




STOP SOLENOID/ENGINE STOP WIRE

↔ Interchangeable; ≠ not interchangeable; ← new for old; → old for new

REF.No	Part No.	Description	Q'ty	S.No.	I/C	REMARKS	Weight (kgf)	Weight (lb)
010	15471-60010	SOLENOID STOP	1				0.415	0.913
020	01125-60816	BOLT	2				0.01	0.022
030	17331-60150	LEVER STOP	1				0.025	0.055
040	15471-60162	LEVER STOP	1				0.007	0.0154
050	04012-50060	WASHER PLAIN	3				0.001	0.0022
060	05525-60600	PIN SNAP	3				0.001	0.0022
070	T0070-44214	WIRE ENGINE STOP	1				0.11	0.242
080	T0070-44260	SCREW	1				0.005	0.011
090	34070-44220	HOLDER WIRE	1				0.02	0.044
100	01023-50620	BOLT	1				0.006	0.0132
110	34070-44240	PIN JOINT	1				0.005	0.011
120	04011-50100	WASHER PLAIN	1				0.002	0.0044
130	34550-44220	BREAKER STOP WIRE	1				0.008	0.0176
140	53581-64150	BAND CORD	1				0.002	0.0044
150	02771-60100	NUT FLANGE	1				0.01	0.022
160	02012-60060	NUT	1				0.005	0.011

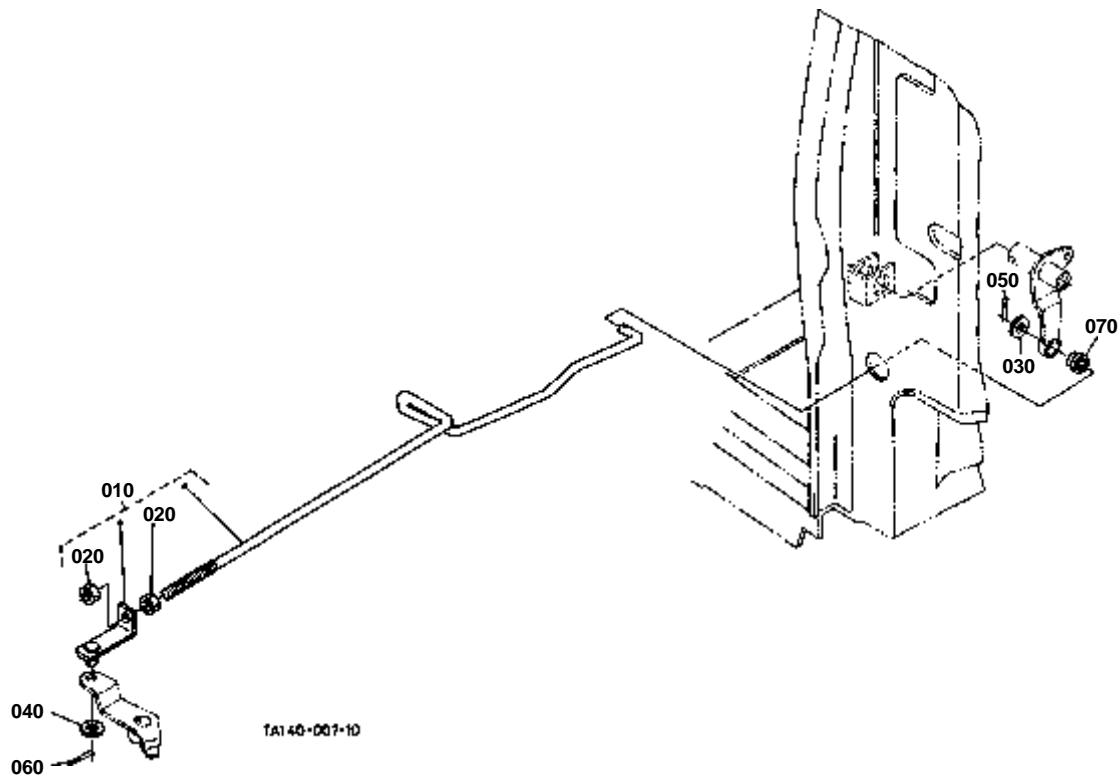




ACCELERATOR LEVER [HST TYPE] [ROPS TYPE]
[EXCEPTE TYPE CABINE]

↔ Interchangeable; ≠ not interchangeable; ← new for old; → old for new

REF.No	Part No.	Description	Q'ty	S.No.	I/C	REMARKS	Weight (kgf)	Weight (lb)
010	TA040-49873	GRIP	1				0.024	0.0528
020	TA040-42814	SHAFT ACCEL.CONTROL	1				0.42	0.924
030	T0070-45910	SUPPORT ACCEL.LEVER	1				0.025	0.055
040	01754-50816	BOLT FLANGE	1				0.011	0.0242
050	04013-60120	WASHER PLAIN	2				0.01	0.022
060	33251-10270	CAP SPRING	1				0.01	0.022
070	33251-10320	SPRING ACCEL.LEVER	1				0.012	0.0264
080	02174-50120	NUT	2				0.01	0.022
090	34070-42820	ROD CONNECTING	1				0.07	0.154
100	04012-50080	WASHER PLAIN	2				0.001	0.0022
110	05511-50215	PIN SPLIT	2				0.001	0.0022
120	T0270-76400	SPRING	1				0.018	0.0396
130	T0270-76450	LEVER ACCEL.LINK	1				0.175	0.385
140	67156-38220	PIECE GUIDE	1				0.003	0.0066
150	36741-94450	SPRING	1				0.001	0.0022
160	04011-50180	WASHER PLAIN	1				0.012	0.0264
170	05511-50330	PIN SPLIT	1				0.005	0.011



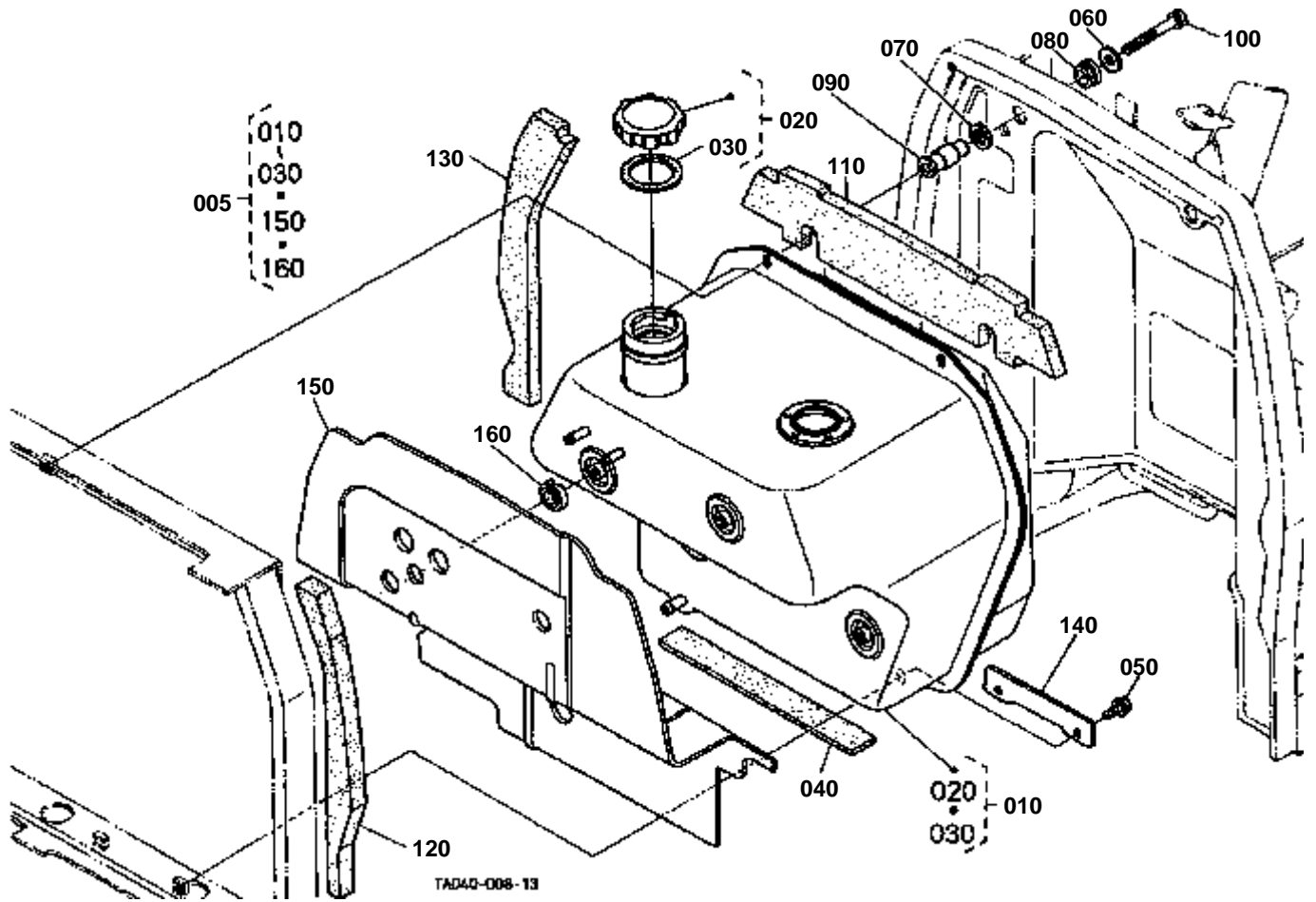


ACCELERATOR ROD [HST TYPE]

↔ Interchangeable; ≠ not interchangeable; ← new for old; → old for new

REF.No	Part No.	Description	Q'ty	S.No.	I/C	REMARKS	Weight (kgf)	Weight (lb)
010	T0320-76070	ASSY ROD ACCEL.	1				0.265	0.583
020	02112-50080	NUT	2				0.003	0.0066
030	04012-50080	WASHER PLAIN	1				0.001	0.0022
040	04012-50060	WASHER PLAIN	1				0.001	0.0022
050	05511-50218	PIN SPLIT	1				0.001	0.0022
060	05511-51612	PIN SPLIT	1				0.001	0.0022
070	T0070-76460	CUSHION	1				0.006	0.0132

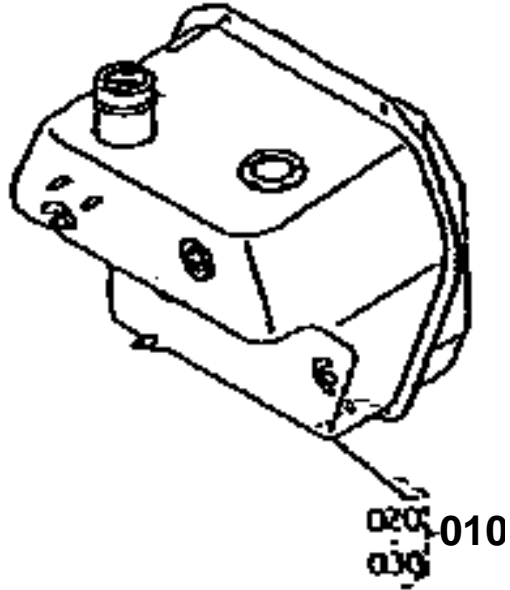
FUEL TANK [ROPS TYPE]



010 TA040-4200-4

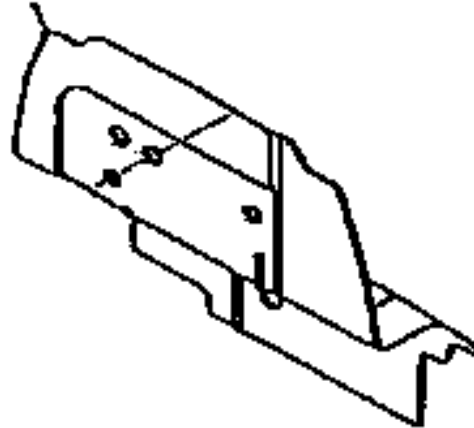
010 TA040-4200-5

010 TA040-4200-6



150 34070-4211-5

150



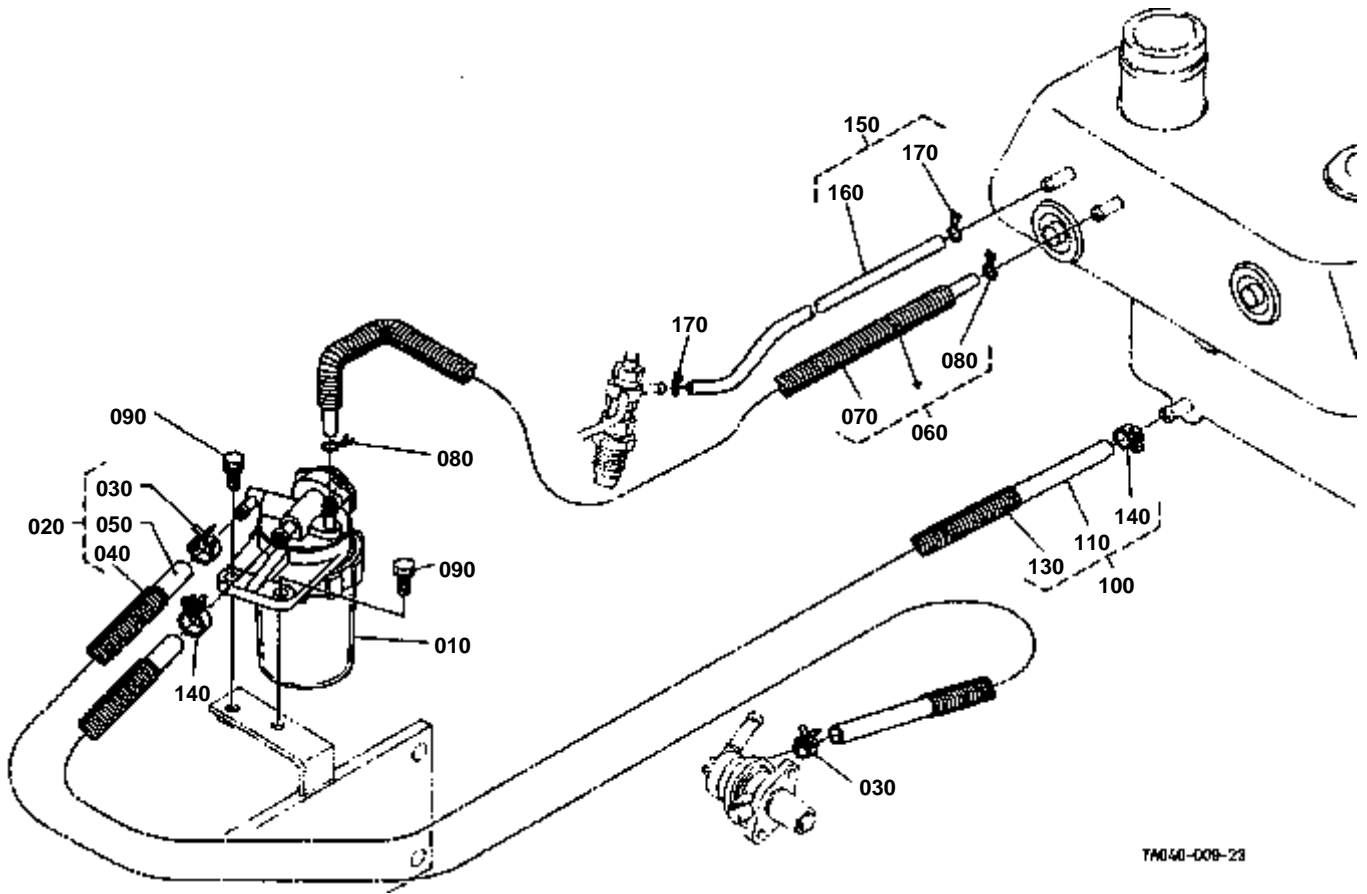
TA150-806-10

**FUEL TANK [ROPS TYPE]**

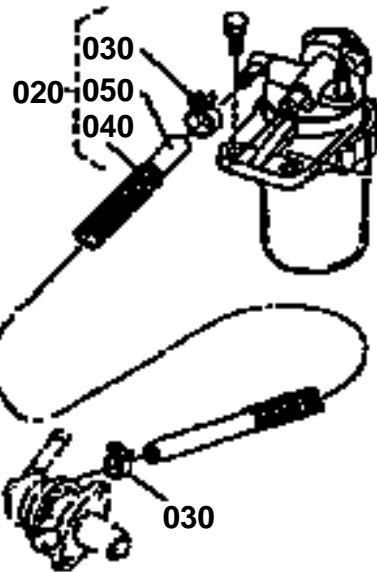
↔ Interchangeable; ≠ not interchangeable; ← new for old; → old for new

REF.No	Part No.	Description	Q'ty	S.No.	I/C	REMARKS	Weight (kgf)	Weight (lb)
005	TA040-94400	KIT FUEL TANK	1	<=72028			0	0
010	TA040-42004	ASSY TANK FUEL	1	<=71974		NOT SALE ORDER BY REF.No.005	7	15.4
010	TA040-42005	ASSY TANK FUEL	1	>=71975	←	NOT SALE ORDER BY REF.No.005	7	15.4
010	TA040-42006	ASSY TANK FUEL	1	>=72023	←	NOT SALE ORDER BY REF.No.005	7	15.4
010	TA040-42007	ASSY TANK FUEL	1	>=72029	←	NOT SALE ORDER BY REF.No.005	7	15.4
020	61191-54720	ASSY CAP FUEL TANK	1				0.09	0.198
030	61191-54740	GASKET TANK CAP	1				0.01	0.022
040	31351-13820	CUSHION BATTERY	1				0.015	0.033
050	01754-50816	BOLT FLANGE	2				0.011	0.0242
060	04015-60080	WASHER PLAIN	2				0.01	0.022
070	04011-50140	WASHER PLAIN	2				0.007	0.0154
080	34070-42060	CUSHION	2				0.005	0.011
090	34070-42070	SPACER	2				0.07	0.154
100	01123-50875	BOLT	2				0.04	0.088
110	T0070-42513	SHUTTER	1				0.03	0.066
120	T0070-42523	SHUTTER	1				0.019	0.0418
130	T0070-42532	SHUTTER	1				0.015	0.033
140	T0120-42150	PLATE FUEL TANK	1				0.08	0.176
150	34070-42115	PLATE SHUTTER	1	<=72028		NOT SALE ORDER BY REF.No.005	3	6.6
150	34070-42116	PLATE SHUTTER	1	>=72029	←		0	0
160	34070-42260	CUSHION	4				0.005	0.011

FUEL PIPE AND FUEL FILTER



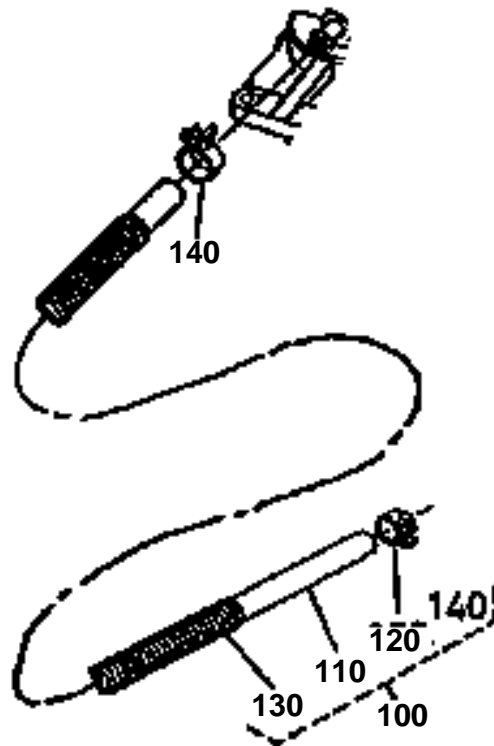
030 14301-4275-0



100 34530-4261-2

120 35080-3556-0

140 14301-4275-0



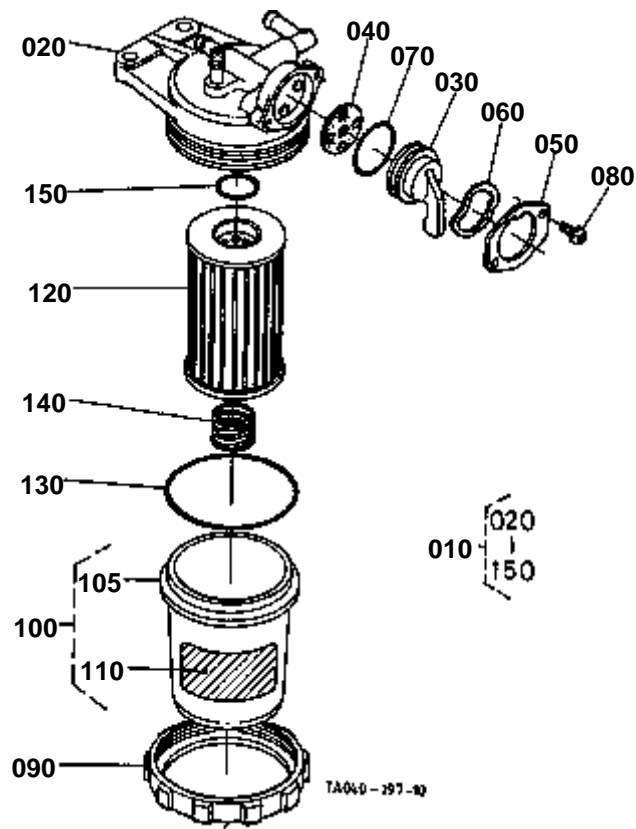
TA129-804-11

**FUEL PIPE AND FUEL FILTER**

↔ Interchangeable; ≠ not interchangeable; ← new for old; → old for new

REF.No	Part No.	Description	Q'ty	S.No.	I/C	REMARKS	Weight (kgf)	Weight (lb)
010	15521-43015	ASSY FILTER FUEL	1				0.59	1.298
020	34530-42620	ASSY TUBE FUEL	1				0.055	0.121
030	14301-42750	CLIP PIPE	2	<=71946			0.005	0.011
030	09318-88125	CLAMP HOSE	2	>=71947	←		0.001	0.0022
040	34530-42670	TUBE	1				0.01	0.022
050	09661-80300	TUBE FUEL	1				0.04	0.088
060	32751-42640	ASSY TUBE FUEL	1				0.06	0.132
070	09661-50750	TUBE FUEL	1				0	0
080	14971-42750	CLIP PIPE	2				0.001	0.0022
090	01123-50825	BOLT	2				0.013	0.0286
100	34530-42612	ASSY TUBE FUEL	1				0.08	0.176
110	09661-80450	PIPE FUEL	1				0.055	0.121
120	35080-35560	CLIP PIPE	1	<=72866			0.005	0.011
130	34530-42710	TUBE	1				0.01	0.022
140	14301-42750	CLIP PIPE	1	<=72866			0.005	0.011
140	14911-42750	CLIP PIPE	2	>=72867	←		0.002	0.0044
150	34070-42633	ASSY TUBE FUEL	1				0.025	0.055
160	09661-40400	TUBE FUEL	1				0.02	0.044
170	14971-42750	CLIP PIPE	2				0.001	0.0022

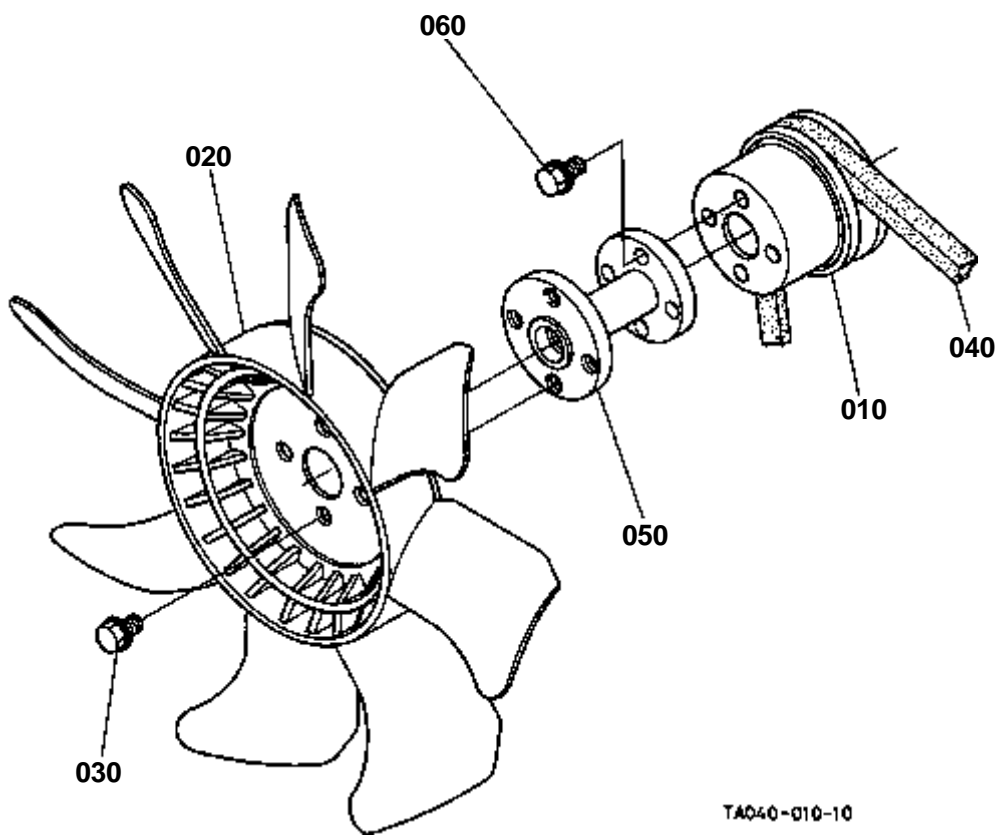
FUEL FILTER [COMPONENT PARTS]



**FUEL FILTER [COMPONENT PARTS]**

↔ Interchangeable; ≠ not interchangeable; ← new for old; → old for new

REF.No	Part No.	Description	Q'ty	S.No.	I/C	REMARKS	Weight (kgf)	Weight (lb)
010	15521-43015	ASSY FILTER FUEL	1				0.59	1.298
020	15521-43114	ASSY BODY	1				0.235	0.517
030	15521-43522	HANDLE FILTER	1				0.04	0.088
040	15521-43672	GASKET	1				0.001	0.0022
050	15521-43552	RETAINER HANDLE	1				0.01	0.022
060	15521-43542	PLATE THRUST	1				0.001	0.0022
070	04811-10290	O RING	1				0.001	0.0022
080	03054-50308	SCREW PAN-HEAD	2				0.005	0.011
090	15521-43150	RING RETAINER	1				0.14	0.308
100	15521-43100	ASSY CUP FILTER	1				0.05	0.11
105	15521-43130	CUP FILTER	1				0.1	0.22
110	16873-88430	LABEL FUEL FILTER	1				0.001	0.0022
120	15521-43160	ELEMENT FILTER	1				0.07	0.154
130	04811-50650	O RING	1				0.002	0.0044
140	15521-43930	SPRING	1				0.004	0.0088
150	04811-00160	O RING	1				0.001	0.0022

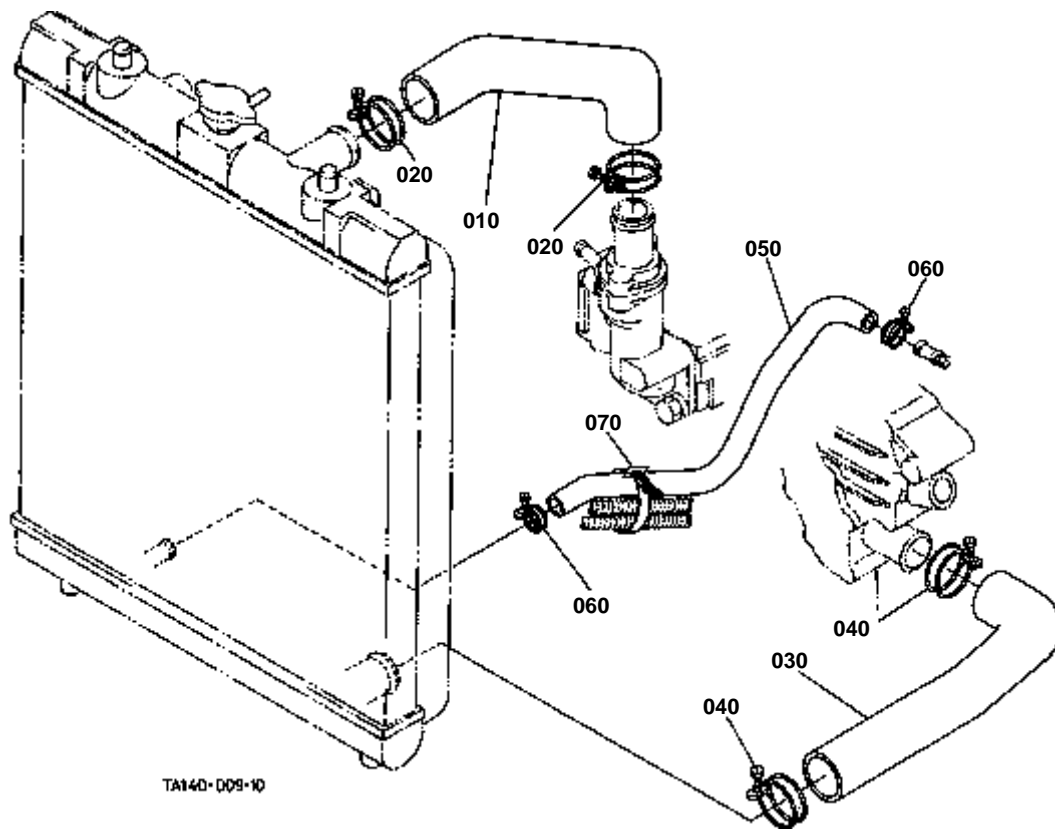


TAC60-010-10

**FAN**

↔ Interchangeable; ≠ not interchangeable; ← new for old; → old for new

REF.No	Part No.	Description	Q'ty	S.No.	I/C	REMARKS	Weight (kgf)	Weight (lb)
010	15471-74250	PULLEY FAN	1				0.3	0.66
020	34550-16210	FAN	1				1.19	2.618
030	01754-50816	BOLT FLANGE	4				0.011	0.0242
040	15469-97010	V BELT A	1				0.095	0.209
050	34550-16222	FLANGE FAN	1				0.25	0.55
060	01754-50625	BOLT FLANGE	4				0.008	0.0176



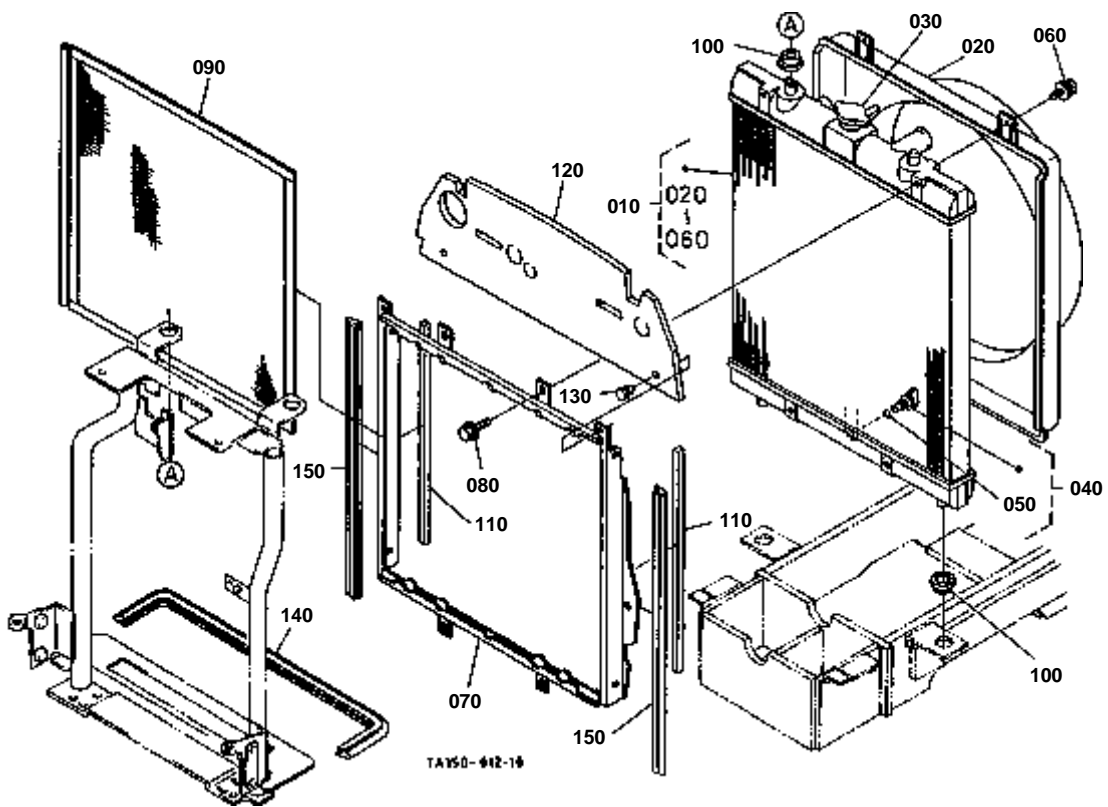


WATER PIPE [ROPS TYPE]

↔ Interchangeable; ≠ not interchangeable; ← new for old; → old for new

REF.No	Part No.	Description	Q'ty	S.No.	I/C	REMARKS	Weight (kgf)	Weight (lb)
010	T0180-16120	HOSE	1				0.265	0.583
020	15108-72870	BAND	2				0.027	0.0594
030	34070-80390	HOSE	1				0.27	0.594
040	15108-72870	BAND	2				0.027	0.0594
050	34070-16160	HOSE DRAIN	1				0.085	0.187
060	15109-73360	BAND PIPE	2				0.01	0.022
070	53581-64150	BAND CORD	1				0.002	0.0044

RADIATOR



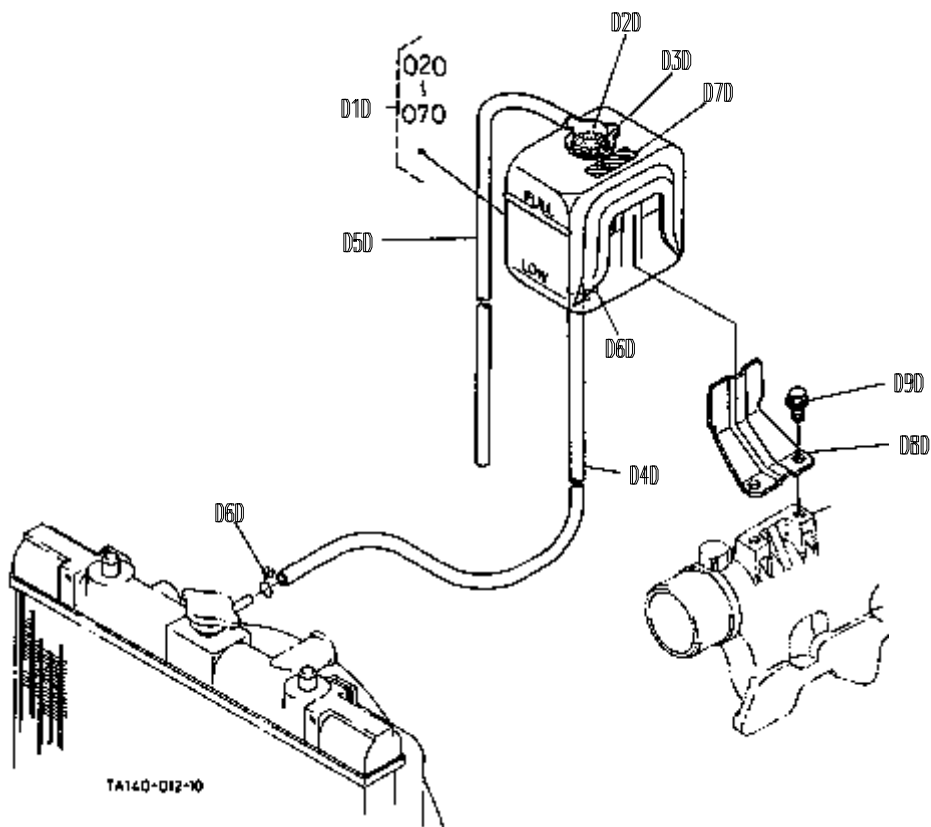


RADIATOR

↔ Interchangeable; ≠ not interchangeable; ← new for old; → old for new

REF.No	Part No.	Description	Q'ty	S.No.	I/C	REMARKS	Weight (kgf)	Weight (lb)
010	TA140-16000	ASSY RADIATOR	1				4.1	9.02
020	TA140-16020	SHROUD FAN	1				0.95	2.09
030	17580-16060	CAP RADIATOR	1				0.04	0.088
040	34070-16070	PLUG DRAIN	1				0.005	0.011
050	34070-16090	O RING	1				0.001	0.0022
060	01029-50616	BOLT	4				0.01	0.022
070	TA140-16040	GUIDE	1				0.72	1.584
080	01754-50610	BOLT FLANGE	4				0.006	0.0132
090	TA140-16240	NET RADIATOR	1				0.365	0.803
100	34070-16030	RUBBER	4				0.015	0.033
110	TA140-40660	SPONGE	2				0.005	0.011
120	TA140-42310	SHUTTER	1				0.06	0.132
130	38430-29372	CLIP BUTTON	2				0.001	0.0022
140	T0180-42330	SHIELD	1				0.085	0.187
150	34070-42340	SHIELD	2				0.12	0.264

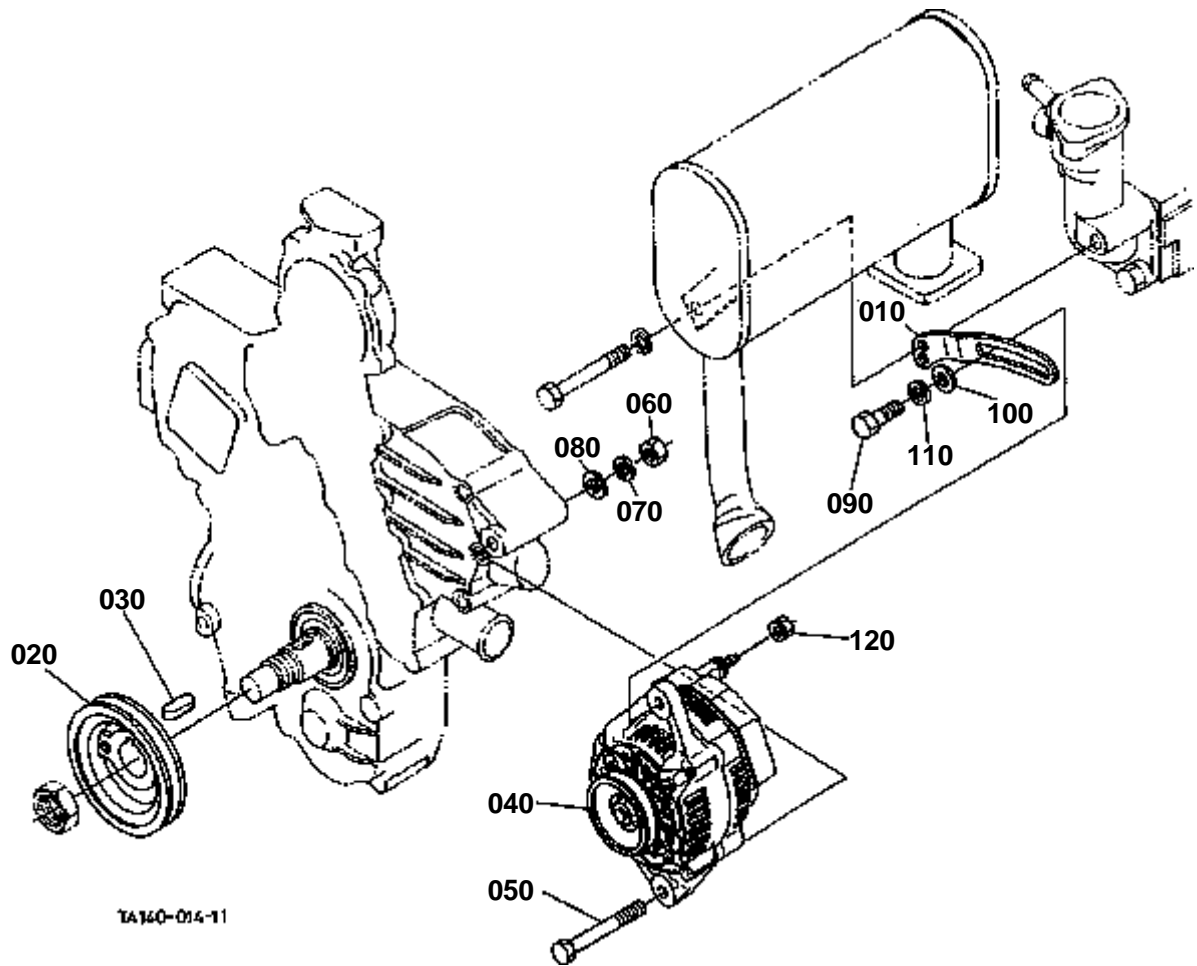
RESERVE TANK [ROPS TYPE]



**RESERVE TANK [ROPS TYPE]**

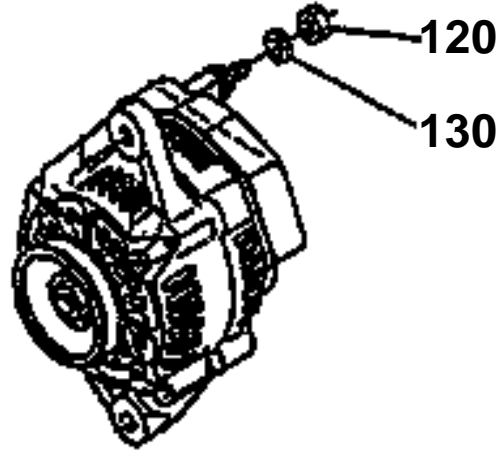
↔ Interchangeable; ≠ not interchangeable; ← new for old; → old for new

REF.No	Part No.	Description	Q'ty	S.No.	I/C	REMARKS	Weight (kgf)	Weight (lb)
010	68841-42360	TANK RESERVE	1				0.48	1.056
020	15272-72420	CAP	1				0.03	0.066
030	15531-72432	GASKET	1				0.002	0.0044
040	17325-72440	PIPE WATER OVER FLOW	1				0.065	0.143
050	68111-42390	PIPE WATER OVER FLOW	1				0.04	0.088
060	15501-72470	CLIP PIPE	2				0.005	0.011
070	15501-88210	LABEL CAUTION	1				0.005	0.011
080	T0070-16710	STAY RESERVE TANK	1				0.09	0.198
090	01754-50816	BOLT FLANGE	2				0.011	0.0242



120 02056-50060

130 04512-60060

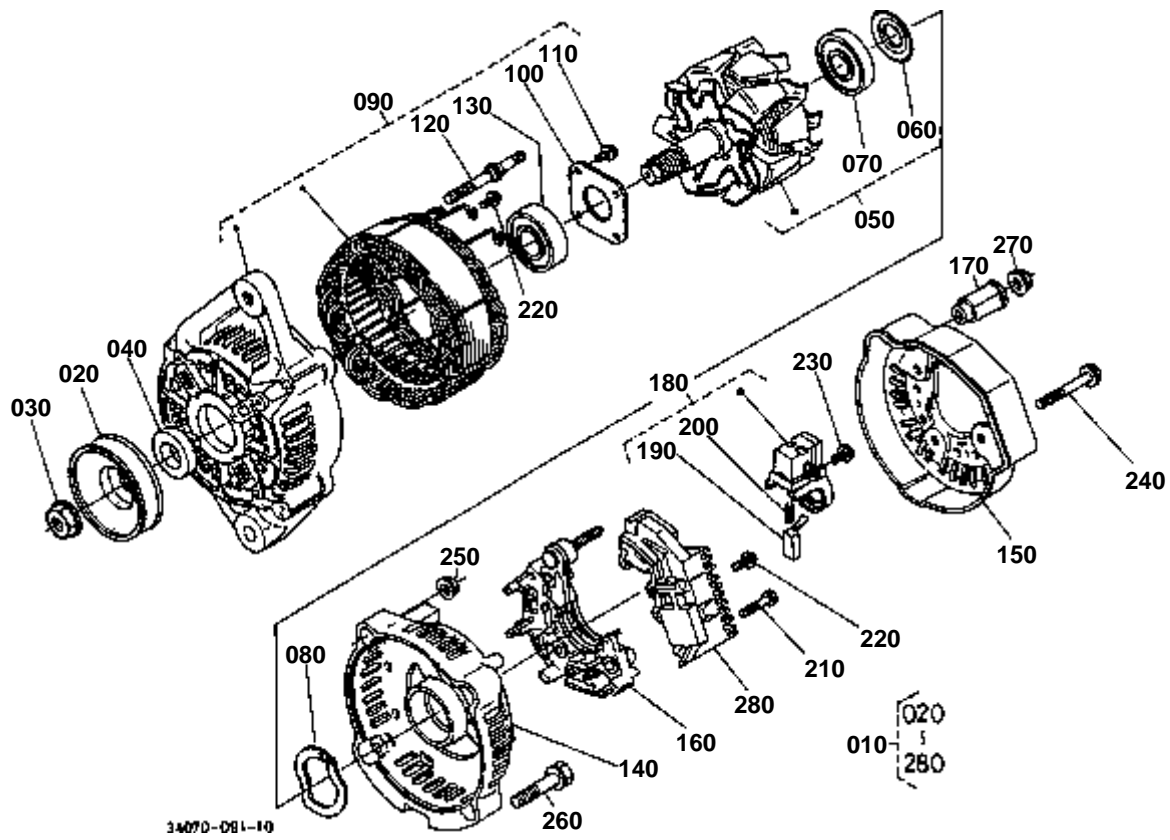


TA120-831-10

**ALTERNATOR [ROPS TYPE]**

↔ Interchangeable; ≠ not interchangeable; ← new for old; → old for new

REF.No	Part No.	Description	Q'ty	S.No.	I/C	REMARKS	Weight (kgf)	Weight (lb)
010	TA040-74020	STAY ALTERNATOR	1				0.09	0.198
020	17371-74280	PULLEY FAN DRIVE	1				0.98	2.156
030	05712-00720	KEY FEATHER	1				0.008	0.0176
040	34070-75602	ASSY ALTERNATOR	1	←=72630			0	0
050	01173-51000	BOLT	1				0.06	0.132
060	02116-50100	NUT	1				0.004	0.0088
070	04512-60100	WASHER SPRING	1				0.002	0.0044
080	04011-50100	WASHER PLAIN	1				0.002	0.0044
090	01153-60830	BOLT	1				0.025	0.055
100	04015-60080	WASHER PLAIN	1				0.01	0.022
110	04512-60080	WASHER SPRING	1				0.002	0.0044
120	02056-50060	NUT	1	←=73371			0.002	0.0044
120	12264-92020	NUT	1	≥=73372	←		0.05	0.11
130	04512-60060	WASHER SPRING	1	←=73371			0.001	0.0022



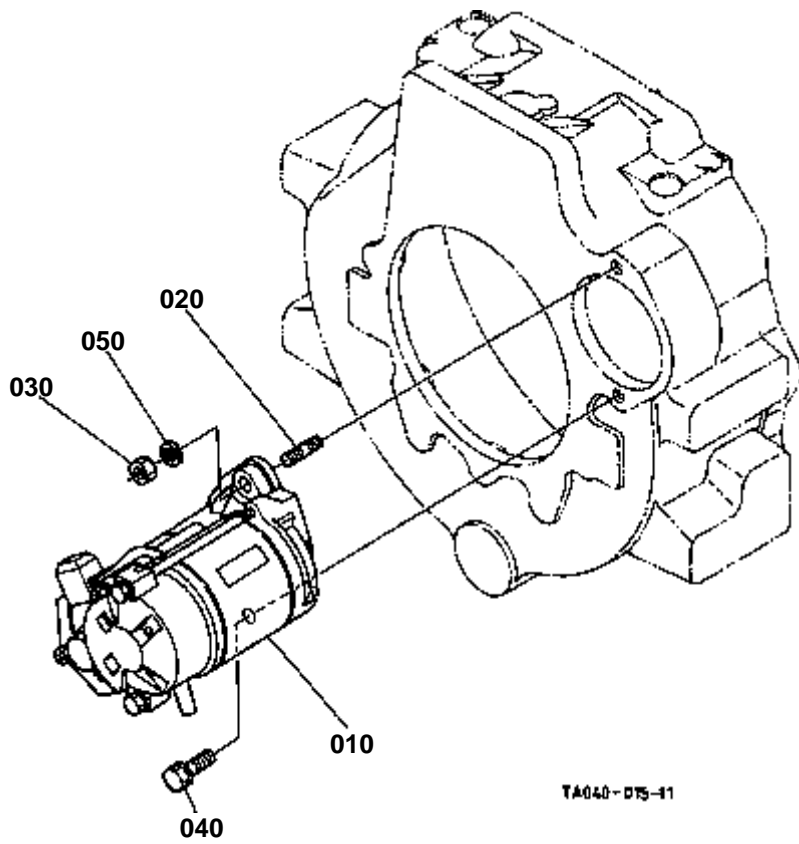


ALTERNATOR [COMPONENT PARTS] [ROPS TYPE]
 [EXCEPTE TYPE CABINE]

↔ Interchangeable; ≠ not interchangeable; ← new for old; → old for new

REF.No	Part No.	Description	Q'ty	S.No.	I/C	REMARKS	Weight (kgf)	Weight (lb)
010	34070-75602	ASSY ALTERNATOR	1	≤72630			0	0
020	16427-64110	PULLEY ALTERNATOR	1				0.2	0.44
030	15881-92010	NUT	1				0.02	0.044
040	15881-64150	COLLAR	1				0.004	0.0088
050	15881-64040	ROTOR	1	≤72630		NOT SALE	0	0
050	66436-64040	ROTOR	1	≥72631	←		1.2	2.64
060	15881-64800	COVER BEARING	1				0.001	0.0022
070	15881-64770	BEARING BALL	1	≤72630			0.04	0.088
070	16652-64770	BEARING BALL	1	≥72631	←		0.045	0.099
080	15881-64810	WASHER THRUST	1				0.002	0.0044
090	15881-64020	FRAME DRIVE END	1	≤72630			1.2	2.64
090	16678-64020	ASSY FRAME DRIVE END	1	≥72631	≠		0	0
100	15881-64710	PLATE RETAINER	1				0.01	0.022
110	15881-93010	SCREW ROUND HEAD	4				0.003	0.0066
120	15881-64260	BOLT THROUGH	2				0.01	0.022
130	15881-64780	BEARING BALL	1	≤72630			0.05	0.11
130	16652-64770	BEARING BALL	1	≥72631	←		0.045	0.099
140	16241-64060	FRAME END	1				0.2	0.44
150	16241-64230	COVER END	1	≤72630			0.035	0.077
150	16231-64230	COVER END	1	≥72631	≠		0.035	0.077
160	16241-64850	ASSY RECTIFIER	1				0.16	0.352
170	16241-64900	BUSH INSULATION	1				0.007	0.0154
180	15881-64310	HOLDER BRUSH	1	≤72630			0.025	0.055
180	16652-64310	HOLDER BRUSH	1	≥72631	≠		0.025	0.055
190	15881-64090	BRUSH	2				0.002	0.0044
200	15881-64330	SPRING BRUSH	2				0.002	0.0044
210	15881-93020	SCREW ROUND HEAD	2				0.005	0.011
220	15881-93030	SCREW ROUND HEAD	6				0.003	0.0066
230	15881-93040	SCREW ROUND HEAD	1				0.003	0.0066
240	15881-91040	BOLT	3				0.005	0.011
250	15881-92020	NUT	2				0.02	0.044
260	15881-91050	BOLT	2				0.01	0.022
270	14182-92030	NUT	1				0.003	0.0066
280	66436-64600	ASSY REGULATOR	1				0.08	0.176

STARTER



TA040-DTS-11

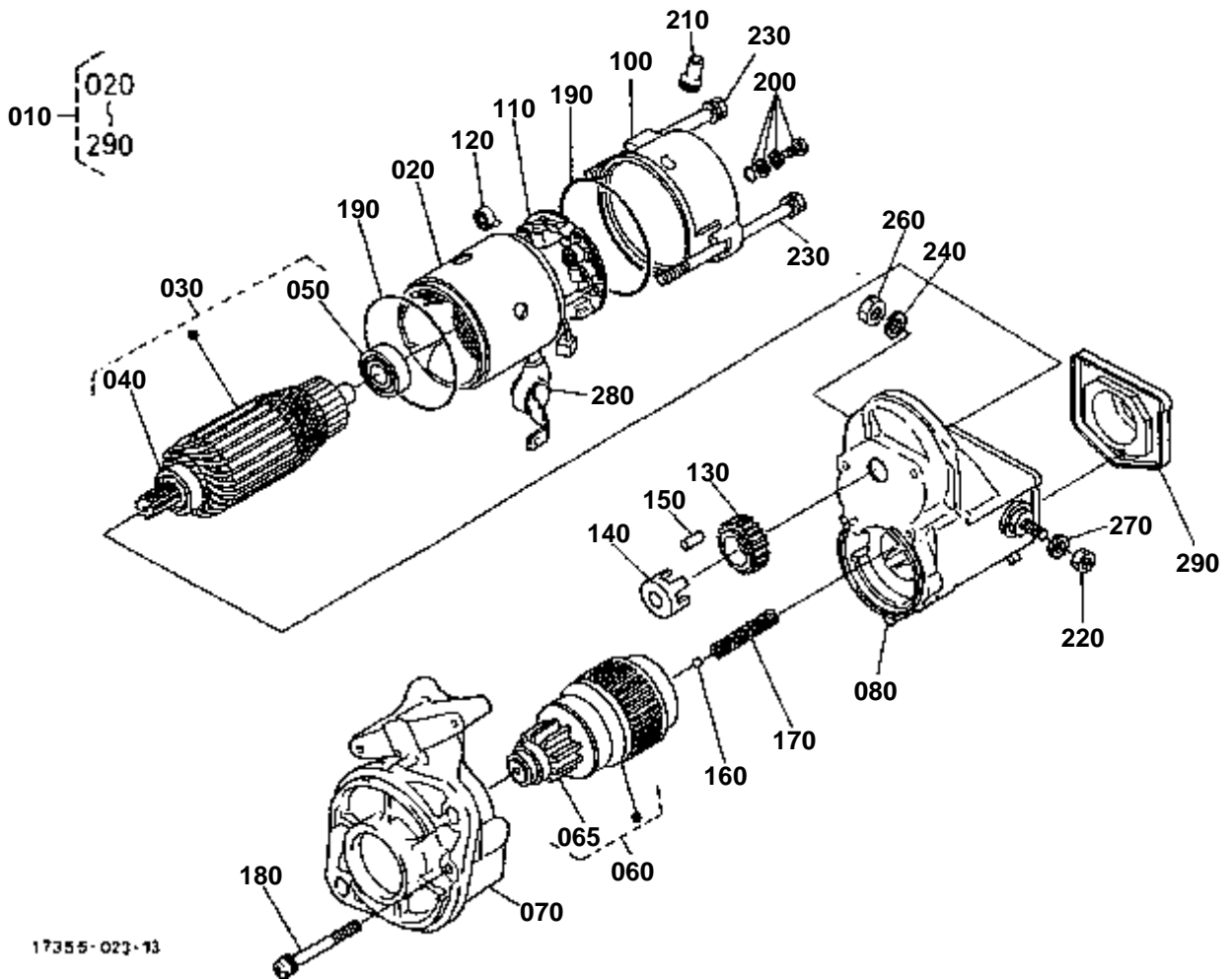


STARTER

↔ Interchangeable; ≠ not interchangeable; ← new for old; → old for new

REF.No	Part No.	Description	Q'ty	S.No.	I/C	REMARKS	Weight (kgf)	Weight (lb)
010	17341-63010	ASSY STARTER	1				3.65	8.03
020	01517-51028	STUD	1				0.022	0.0484
030	02176-50100	NUT	1				0.005	0.011
040	01133-51030	BOLT	1				0.025	0.055
050	04512-60100	WASHER SPRING	1				0.002	0.0044

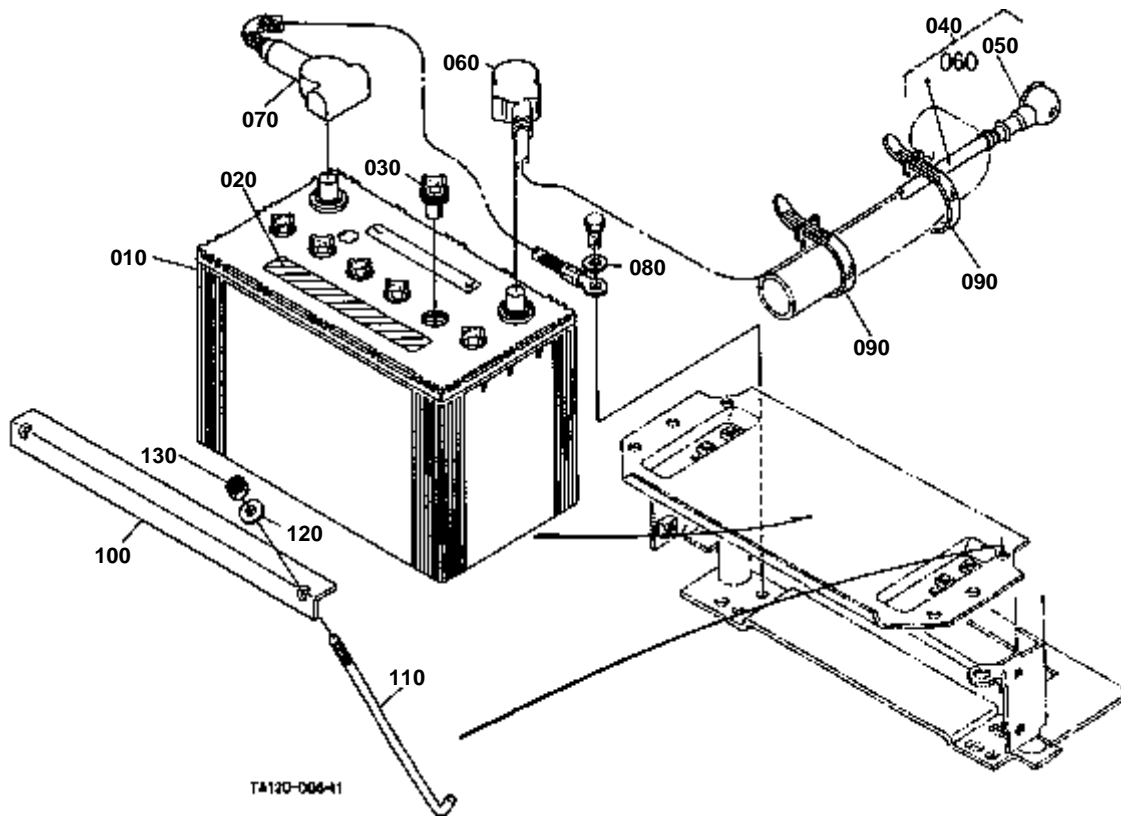
STARTER [COMPONENT PARTS]



**STARTER [COMPONENT PARTS]**

↔ Interchangeable; ≠ not interchangeable; ← new for old; → old for new

REF.No	Part No.	Description	Q'ty	S.No.	I/C	REMARKS	Weight (kgf)	Weight (lb)
010	17341-63010	ASSY STARTER	1				3.65	8.03
020	11197-63080	ASSY YOKE	1				0.92	2.024
030	11197-63070	ASSY ARMATURE	1				0.8	1.76
040	11460-63500	BEARING	1				0.03	0.066
050	11460-63530	BEARING	1				0.02	0.044
060	17341-63040	CLUTCH OVER RUNNING	1				0.2	0.44
065	17381-63280	PINION BEVEL	1				0.07	0.154
070	17341-63030	FRAME DRIVE END	1				0.44	0.968
080	15621-63020	ASSY SWITCH MAGNETIC	1				1.17	2.574
090	99999-99999	BLANK	0				0	0
100	17341-63200	FRAME END	1				0.13	0.286
110	17381-63380	ASSY HOLDER BRUSH	1				0.05	0.11
120	15401-63390	SPRING BRUSH	4				0.003	0.0066
130	11460-63270	GEAR	1				0.04	0.088
140	11460-63110	RETAINER	1				0.01	0.022
150	19212-63100	ROLLER	5				0.002	0.0044
160	19212-97130	BALL	1				0.003	0.0066
170	11460-63120	SPRING	1				0.01	0.022
180	11460-93310	BOLT	2				0.01	0.022
190	15511-96660	O RING	2				0.005	0.011
200	15511-63760	ASSY BOLT	2				0.005	0.011
210	16285-63570	PIPE DRAIN	1				0.005	0.011
220	13963-92010	NUT HEXAGON	1				0.005	0.011
230	11197-63320	BOLT	2				0.02	0.044
240	04512-50080	WASHER SPRING	1				0	0
250	99999-99999	BLANK	0				0	0
260	16285-92010	NUT HEXAGON	1				0.005	0.011
270	04512-60080	WASHER SPRING	1				0.002	0.0044
280	11173-63130	COVER TERMINAL	1				0.007	0.0154
290	16285-98050	ASSY COVER	1				0.048	0.1056

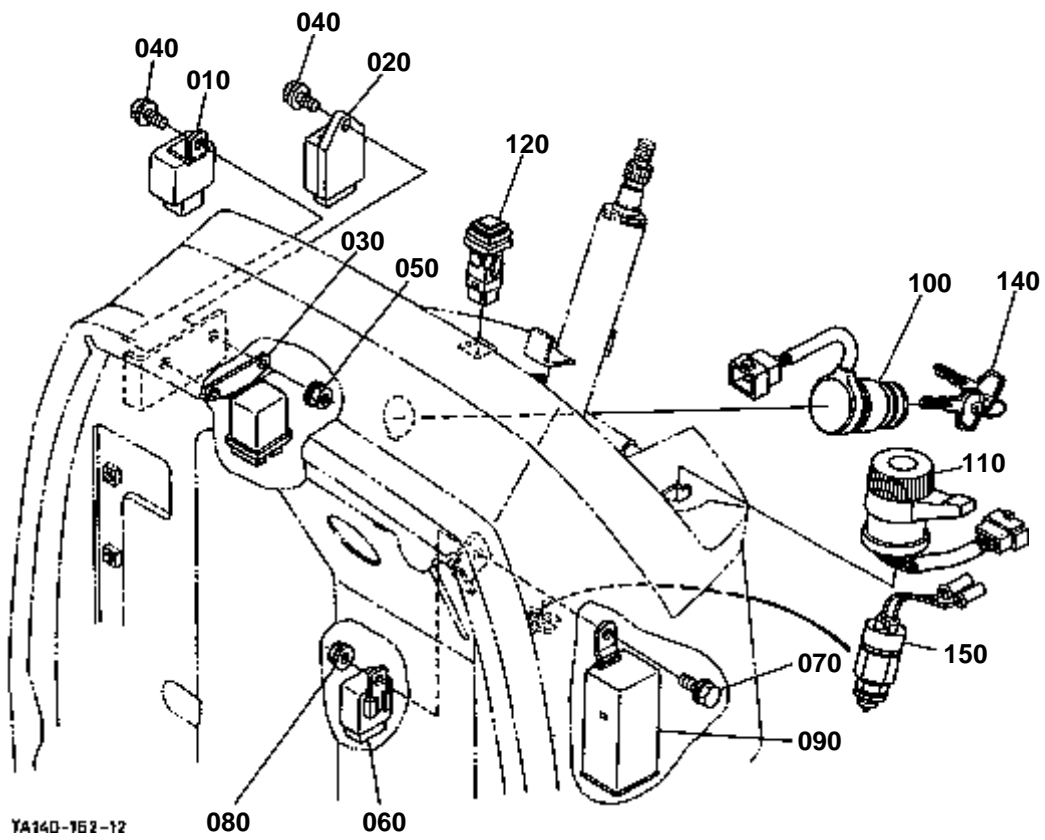


**BATTERY [ROPS TYPE]**

↔ Interchangeable; ≠ not interchangeable; ← new for old; → old for new

REF.No	Part No.	Description	Q'ty	S.No.	I/C	REMARKS	Weight (kgf)	Weight (lb)
010	99999-99999	BATTERY	1			80D26R-MF	0	0
020	TA040-30150	LABEL BATTERY	1			ENGLISH	0.002	0.0044
030	TA040-30160	CAP BATTERY	6				0.01	0.022
040	TA240-30120	CORD BATTERY	1				0.485	1.067
050	T0070-30130	CAP	1				0.015	0.033
060	T0070-30140	CAP	1				0.012	0.0264
070	TA140-33340	CORD EARTH	1				0.17	0.374
080	04015-60080	WASHER PLAIN	1				0.01	0.022
090	55311-41260	BAND CORD	2				0.007	0.0154
100	34070-40110	RETAINER BATTERY	1				0.285	0.627
110	38240-33295	BOLT HOOK	2				0.05	0.11
120	04015-60060	WASHER PLAIN	2				0.005	0.011
130	76611-56730	NUT LOCK	2				0.005	0.011
130	02552-50060	NUT LOCK	2		←		0.002	0.0044

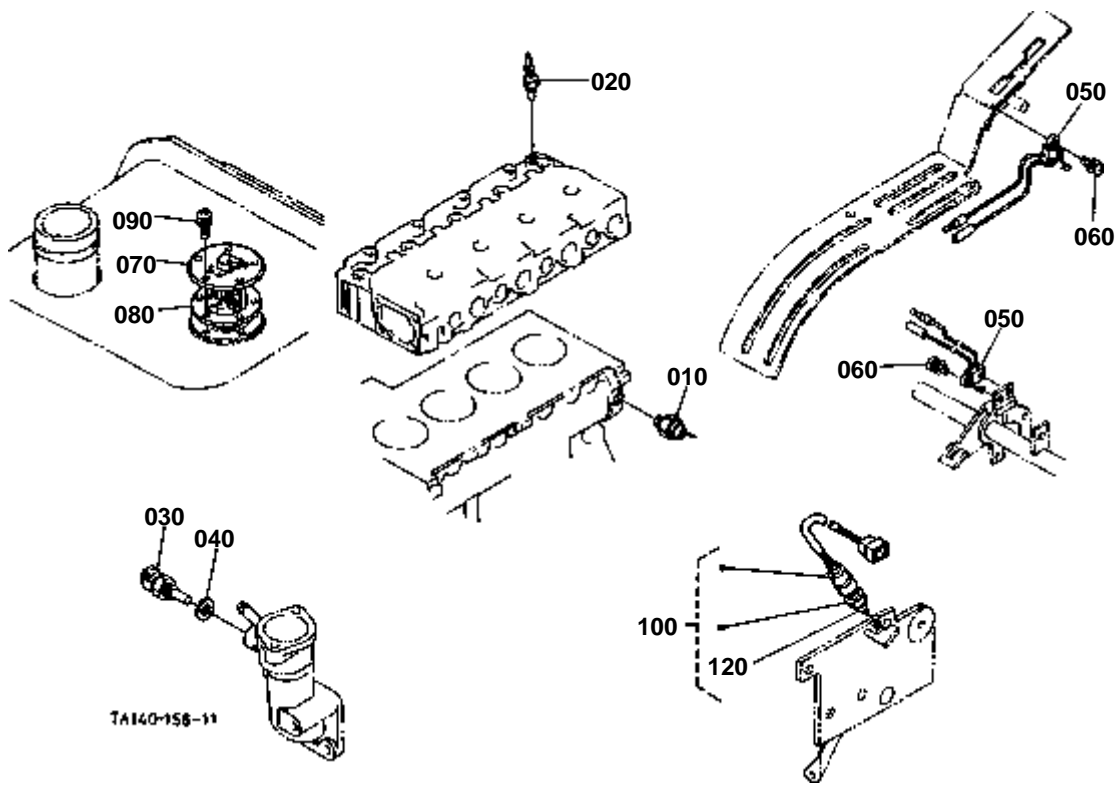
SWITCH 1 [HST TYPE] [ROPS TYPE]



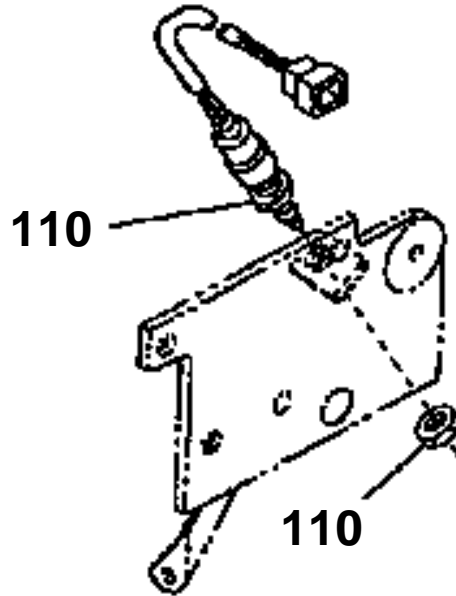
**SWITCH 1 [HST TYPE] [ROPS TYPE]**

↔ Interchangeable; ≠ not interchangeable; ← new for old; → old for new

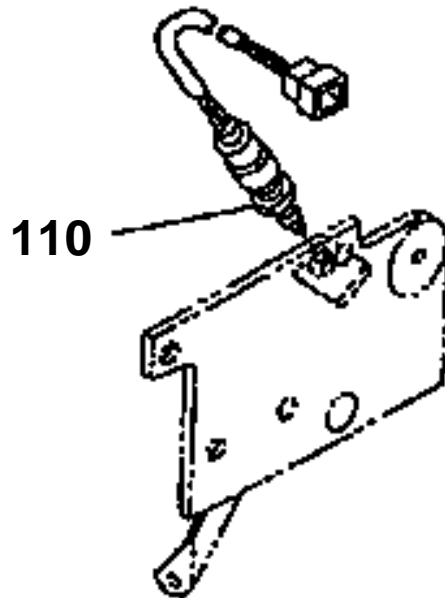
REF.No	Part No.	Description	Q'ty	S.No.	I/C	REMARKS	Weight (kgf)	Weight (lb)
010	T0070-31410	TIMER KEY STOP	1				0.065	0.143
020	16415-65660	CONTROLLER	1				0.07	0.154
030	16415-65600	RELAY GLOW	1				0.1	0.22
040	01754-50616	BOLT FLANGE	2				0.006	0.0132
050	02751-50060	NUT FLANGE	2				0.005	0.011
060	35800-75070	RELAY STARTER	1				0.08	0.176
070	01754-50616	BOLT FLANGE	1				0.006	0.0132
080	02751-50060	NUT FLANGE	1				0.005	0.011
090	3F240-75430	UNIT FLASHER	1				0.06	0.132
100	34670-31822	SWITCH MAIN	1				0.26	0.572
110	3A751-75010	SWITCH COMBINATION	1				0.115	0.253
120	TA140-30910	SWITCH HAZARD	1				0.115	0.253
130	99999-99999	BLANK	0				0	0
140	35260-31852	ASSY KEY MAIN SWITCH	1				0.02	0.044
150	37150-32240	SWITCH SAFETY	1				0.12	0.264



110 67111-5583-0



110 67111-5583-0

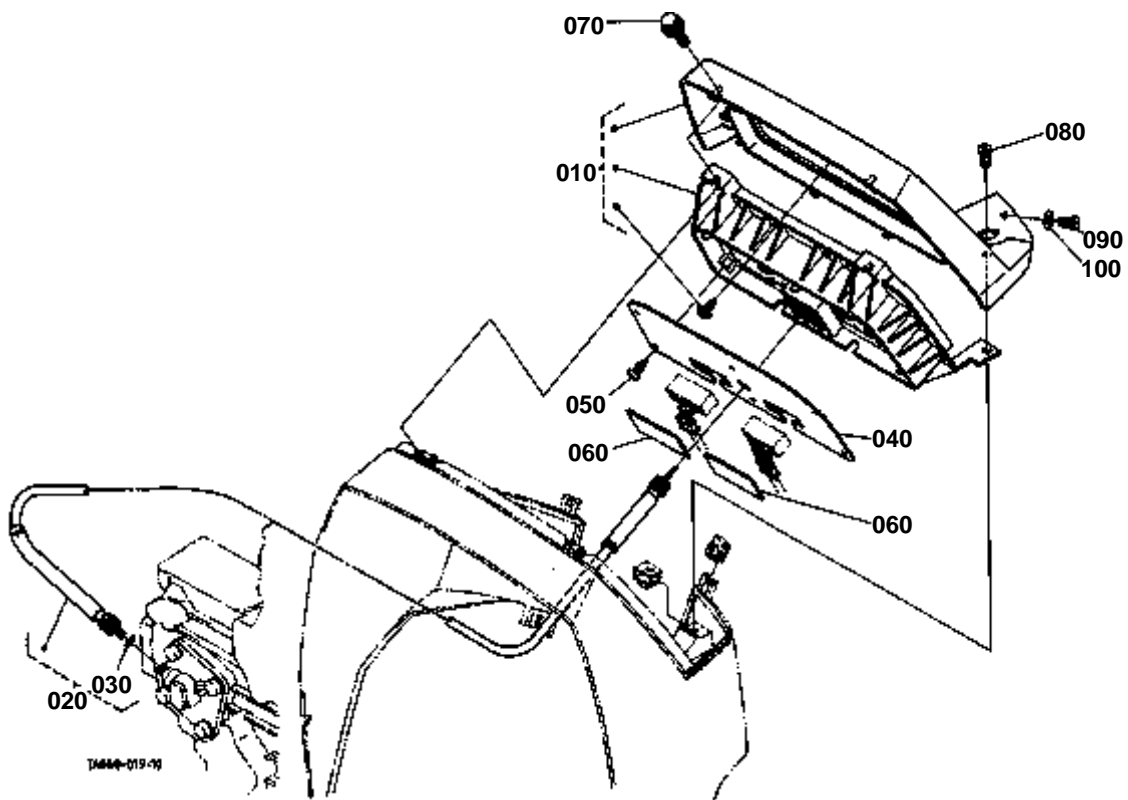


TA150-800-10

**SWITCH 2 [HST TYPE] [ROPS TYPE]**

↔ Interchangeable; ≠ not interchangeable; ← new for old; → old for new

REF.No	Part No.	Description	Q'ty	S.No.	I/C	REMARKS	Weight (kgf)	Weight (lb)
010	15531-39010	SWITCH OIL	1				0.032	0.0704
020	31351-32830	SENSOR THERMO	1				0.02	0.044
030	16415-83040	SENSOR THERMO	1				0.03	0.066
040	15109-33660	GASKET	1				0.001	0.0022
050	TA040-43900	SWITCH LEVER	2				0.008	0.0176
060	03024-50414	SCREW WITH WASHER	2				0.002	0.0044
070	TA040-31202	ASSY GAUGE FUEL	1				0.505	1.111
080	34070-31220	GASKET	1				0.01	0.022
090	03024-50512	SCREW WITH WASHER	5				0.003	0.0066
100	TA240-53900	SWITCH SAFETY	1				0.062	0.1364
110	67111-55830	NUT SAFETY SWITCH	2	≤60009			0.035	0.077
110	67111-55830	NUT SAFETY SWITCH	1	≥70001			0.035	0.077
110	67111-55830	NUT SAFETY SWITCH	1	≤70404			0.035	0.077
120	67111-55840	CAP SAFETY SWITCH	1				0.002	0.0044

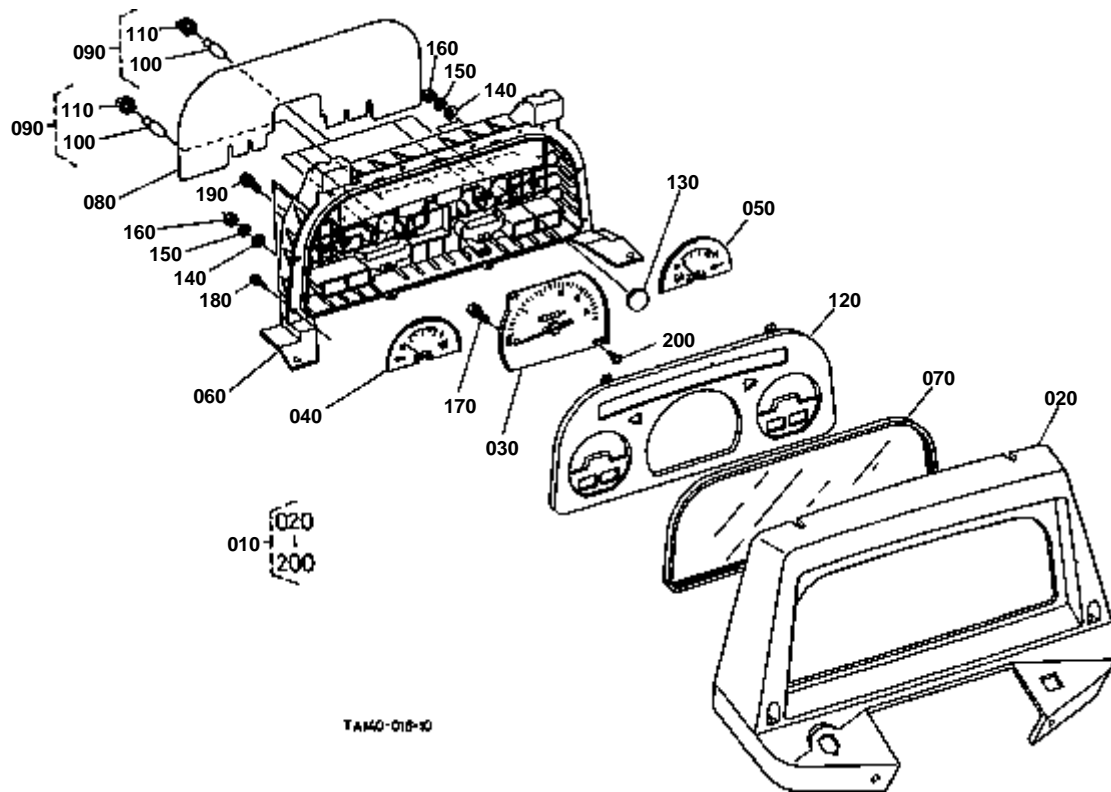




PANEL BOARD

↔ Interchangeable; ≠ not interchangeable; ← new for old; → old for new

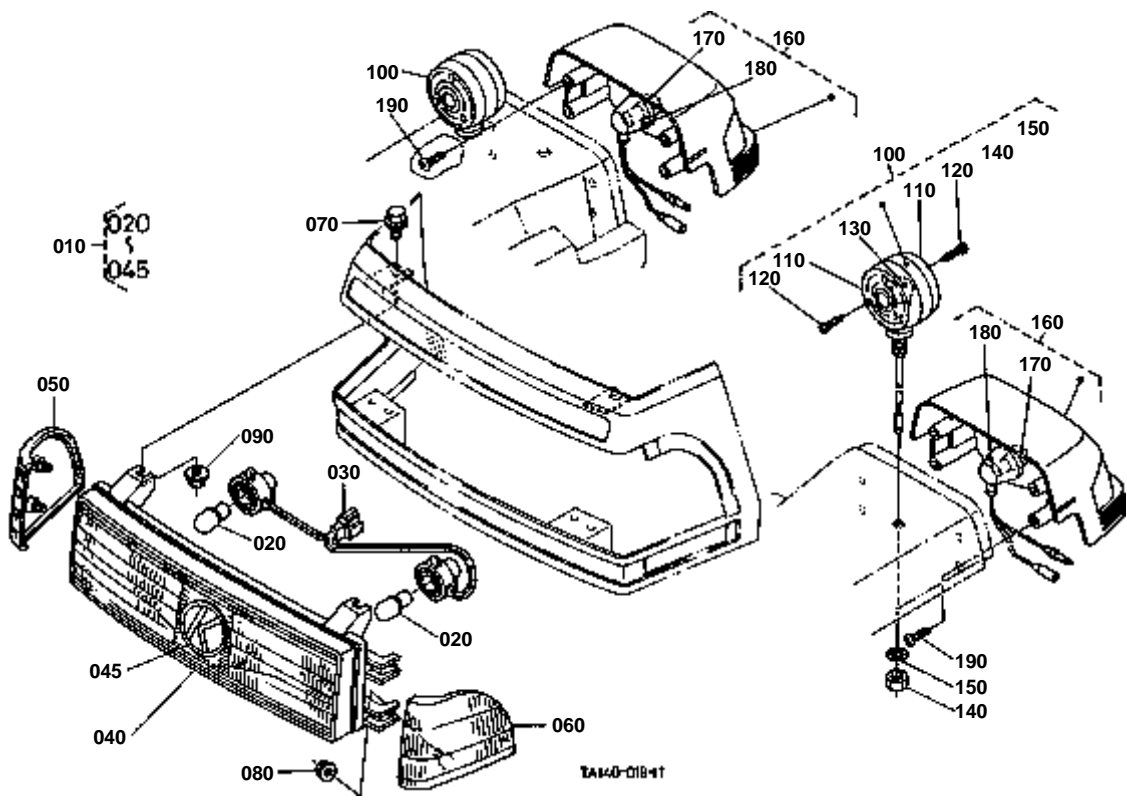
REF.No	Part No.	Description	Q'ty	S.No.	I/C	REMARKS	Weight (kgf)	Weight (lb)
010	TA140-30210	ASSY PANEL	1				1.72	3.784
020	TA040-30610	ASSY CABLE FLEXIBLE	1				0.25	0.55
030	04811-10080	O RING	1				0.001	0.0022
040	34070-30190	PLATE PANEL	1				0.15	0.33
050	03514-50414	SCREW TAPPING	6				0.001	0.0022
060	34070-99410	SEAL PANEL	2	≤72515			0	0
060	34070-99412	SEAL PANEL	2	≥72516	←		0	0
070	34070-41110	BOLT SET	2				0.01	0.022
080	31391-31140	SCREW	2				0.01	0.022
090	37410-54990	SCREW	2				0.003	0.0066
100	04013-60040	WASHER PLAIN	2				0.002	0.0044



**PANEL BOARD [COMPONENT PARTS]**

↔ Interchangeable; ≠ not interchangeable; ← new for old; → old for new

REF.No	Part No.	Description	Q'ty	S.No.	I/C	REMARKS	Weight (kgf)	Weight (lb)
010	TA140-30210	ASSY PANEL	1				1.72	3.784
020	TA040-76620	HOOD PANEL	1				0.5	1.1
030	TA040-30220	ASSY TACHOMETER	1				0.22	0.484
040	TA040-30230	ASSY METER FUEL	1				0.08	0.176
050	TA040-30240	ASSY THERMOMETER	1				0.08	0.176
060	TA140-30250	CASE	1				0.846	1.8612
070	34070-30260	GLASS	1				0.485	1.067
080	TA040-30270	ASSY PLATE	1				0.135	0.297
090	38240-31460	ASSY LAMP ELECTRIC	9				0.015	0.033
100	38240-31470	BULB	9			3.4W	0.01	0.022
110	38240-31480	SOCKET	9				0.001	0.0022
120	34070-30280	PLATE WINDOW	1				0.21	0.462
130	34070-30170	LENS	2				0.005	0.011
140	66426-81100	WASHER PLAIN	5				0.001	0.0022
150	04512-60040	WASHER SPRING	5				0.002	0.0044
160	02054-50040	NUT	5				0.001	0.0022
170	32530-94900	SCREW WITH WASHER	2				0.002	0.0044
180	03514-50425	SCREW TAPPING	10				0.001	0.0022
190	35533-76230	SCREW WITH WASHER	1				0.002	0.0044
200	34070-30290	SCREW TAPPING	2				0.01	0.022

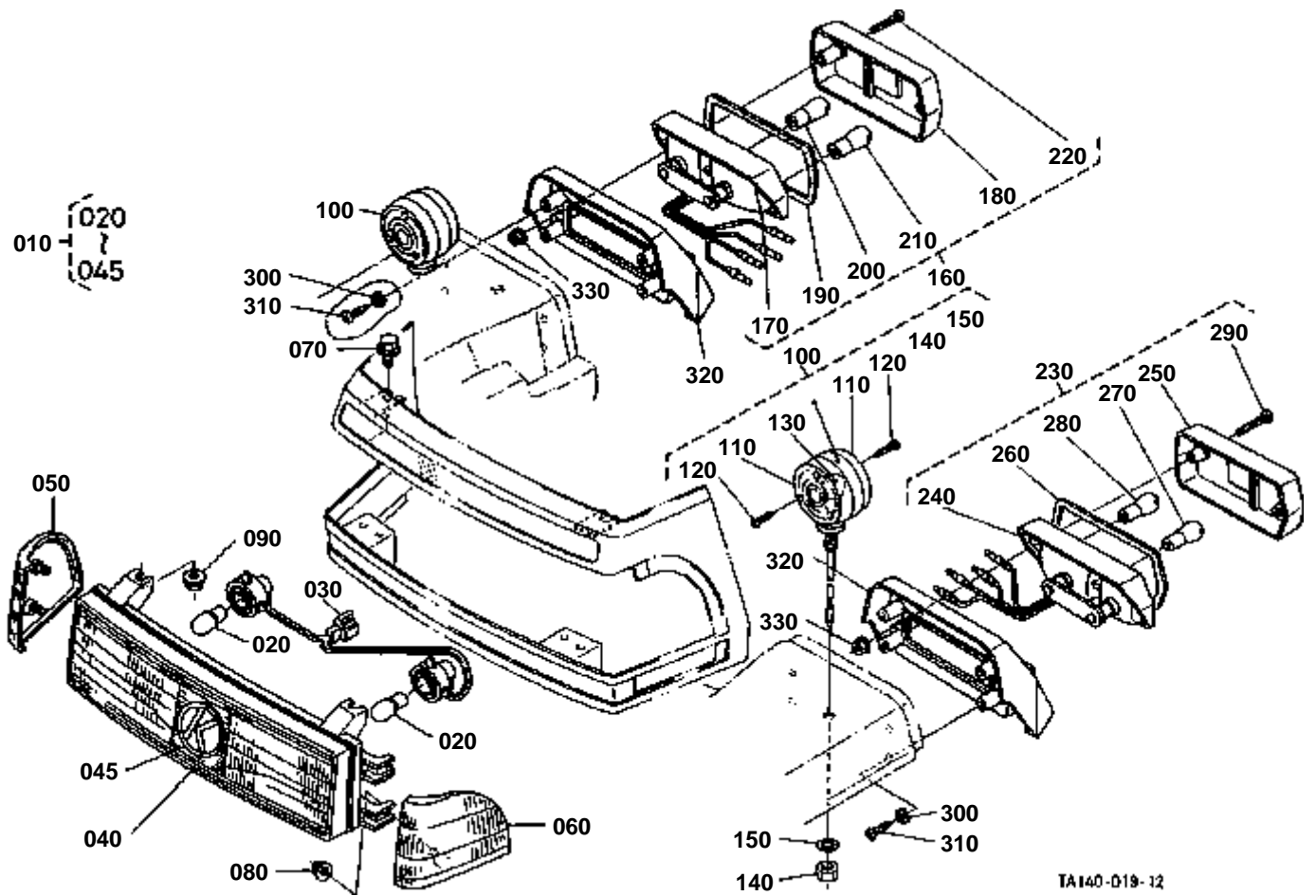




LIGHT 1 [ROPS TYPE] [OLD TYPE]
S.No.;<=73190

↔ Interchangeable; ≠ not interchangeable; ← new for old; → old for new

REF.No	Part No.	Description	Q'ty	S.No.	I/C	REMARKS	Weight (kgf)	Weight (lb)
010	TA140-99060	ASSY LIGHT HEAD	1				0.68	1.496
020	34070-99010	BULB	2			25W	0.02	0.044
030	T0270-99090	ASSY WIRE HARNESS	1				0.05	0.11
040	TA140-99100	UNIT LAMP	1				0.6	1.32
045	TA140-49500	MARK SYMBOL	1				0.013	0.0286
050	T0270-99070	GRILLE LIGHT RH	1				0.125	0.275
060	T0270-99080	GRILLE LIGHT LH	1				0.125	0.275
070	30400-19060	BOLT FLANGE	2				0.006	0.0132
080	02761-50050	NUT FLANGE	4				0.005	0.011
090	02751-50060	NUT FLANGE	2				0.005	0.011
100	32530-33610	ASSY LIGHT HAZARD	2				0.5	1.1
110	32530-91510	LENS HAZARD LIGHT	4				0.085	0.187
120	32530-91520	SCREW TAPPING	12				0.001	0.0022
130	32530-91530	BULB LIGHT	2			27W	0.02	0.044
140	02114-50100	NUT	2				0.005	0.011
150	04411-50100	WASHER TOOTHED	2				0.001	0.0022
160	TA040-30020	LIGHT TAIL	2				0.5	1.1
170	TA040-99110	BULB LIGHT	2			8W	0.01	0.022
180	TA040-99120	CORD	2				0.03	0.066
190	03614-50614	SCREW TAPPING	8				0.005	0.011

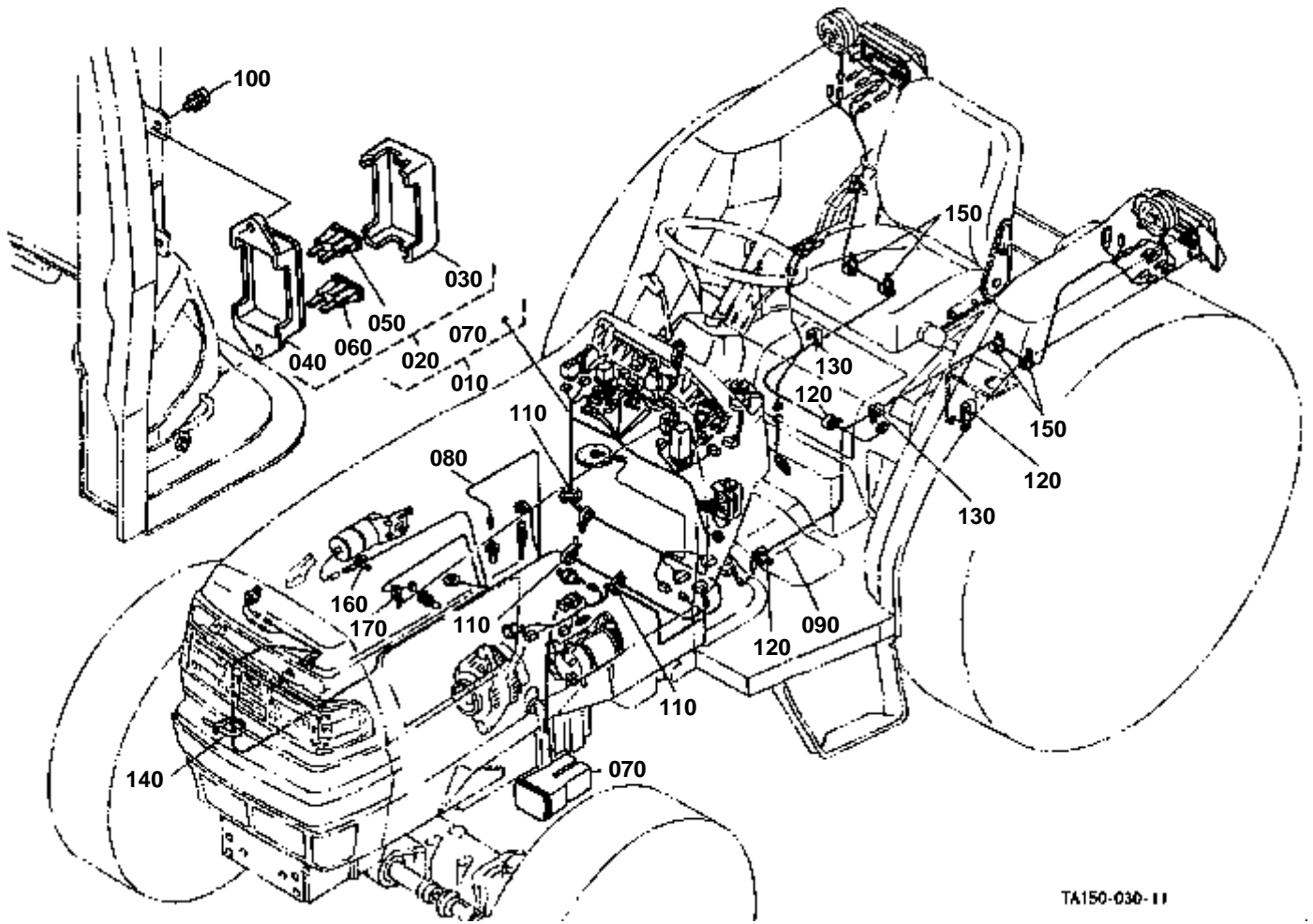




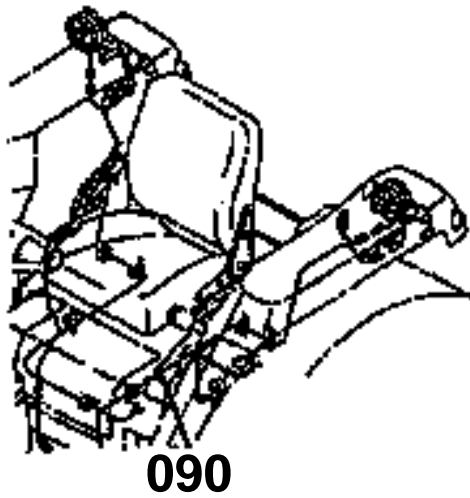
LIGHT 1 [ROPS TYPE] [NEW TYPE]
S.No.;>=73191

↔ Interchangeable; ≠ not interchangeable; ← new for old; → old for new

REF.No	Part No.	Description	Q'ty	S.No.	I/C	REMARKS	Weight (kgf)	Weight (lb)
010	TA140-99060	ASSY LIGHT HEAD	1				0.68	1.496
020	34070-99010	BULB	2			25W	0.02	0.044
030	T0270-99090	ASSY WIRE HARNESS	1				0.05	0.11
040	TA140-99100	UNIT LAMP	1				0.6	1.32
045	TA140-49500	MARK SYMBOL	1				0.013	0.0286
050	T0270-99070	GRILLE LIGHT RH	1				0.125	0.275
060	T0270-99080	GRILLE LIGHT LH	1				0.125	0.275
070	30400-19060	BOLT FLANGE	2				0.006	0.0132
080	02761-50050	NUT FLANGE	4				0.005	0.011
090	02751-50060	NUT FLANGE	2				0.005	0.011
100	32530-33610	ASSY LIGHT HAZARD	2				0.5	1.1
110	32530-91510	LENS HAZARD LIGHT	4				0.085	0.187
120	32530-91520	SCREW TAPPING	12				0.001	0.0022
130	32530-91530	BULB LIGHT	2			27W	0.02	0.044
140	02114-50100	NUT	2				0.005	0.011
150	04411-50100	WASHER TOOTHED	2				0.001	0.0022
160	31301-34303	ASSY LIGHT COMBI.RH	1				0.4	0.88
170	31301-34320	BODY RH	1				0.18	0.396
180	31301-34340	LENS	1				0.105	0.231
190	31391-34350	GASKET	1				0.002	0.0044
200	31391-34360	BULB	1			23W	0.018	0.0396
210	31301-34370	BULB	1			23W/8W	0.02	0.044
220	31391-34380	SCREW	2				0.007	0.0154
230	31301-34313	ASSY LIGHT COMBI.LH	1				0.54	1.188
240	31301-34330	BODY LH	1				0.21	0.462
250	31301-34340	LENS	1				0.105	0.231
260	31391-34350	GASKET	1				0.002	0.0044
270	31391-34360	BULB	1			23W	0.018	0.0396
280	31301-34370	BULB	1			23W/8W	0.02	0.044
290	31391-34380	SCREW	2				0.007	0.0154
300	04512-60060	WASHER SPRING	8				0.001	0.0022
310	03614-50614	SCREW TAPPING	8				0.005	0.011
320	34040-68960	HOLDER	2				0.23	0.506
330	02761-50050	NUT FLANGE	4				0.005	0.011



090 TA240-3033-3



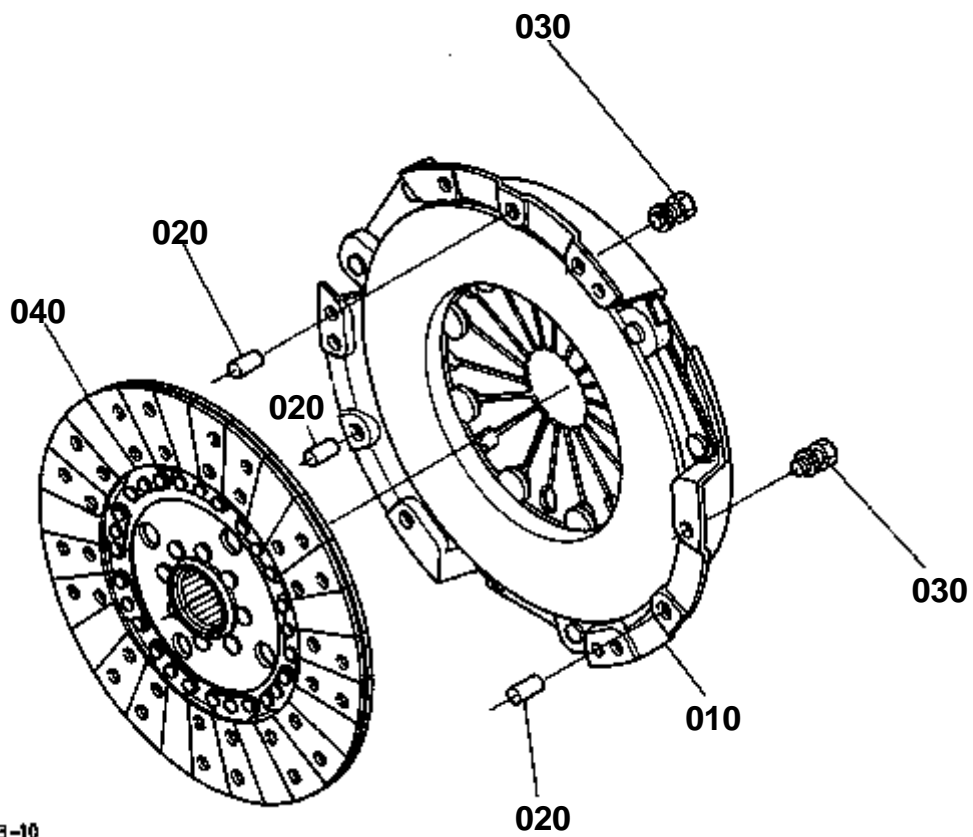
TA150-817-10



ELECTRICAL WIRING [HST TYPE] [ROPS TYPE]

↔ Interchangeable; ≠ not interchangeable; ← new for old; → old for new

REF.No	Part No.	Description	Q'ty	S.No.	I/C	REMARKS	Weight (kgf)	Weight (lb)
010	TA240-30315	WIRE HARNESS HST	1	<=73190			0	0
010	TA240-30316	WIRE HARNESS HST	1	>=73191	←		1.1	2.42
020	TA140-30400	ASSY BOX FUSE	1				0.138	0.3036
030	TA140-30410	COVER FUSE BOX	1				0.02	0.044
040	35533-77350	ASSY CASE FUSE	1				0.04	0.088
050	36730-75550	FUSE	4			10A	0.001	0.0022
060	35820-75560	FUSE	3			15A	0.002	0.0044
070	34670-34530	FUSE	1			40A	0.003	0.0066
080	TA140-30320	WIRE HARNESS	1				0.25	0.55
090	TA240-30333	WIRE HARNESS HST	1	<=73190			0	0
090	TA240-30334	WIRE HARNESS HST	1	>=73191	←		0.21	0.462
100	03024-50520	SCREW WITH WASHER	2				0.004	0.0088
110	55311-41260	BAND CORD	3				0.007	0.0154
120	32240-34460	CLAMP CORD	3				0.011	0.0242
130	13816-67580	CLAMP CORD	2				0.004	0.0088
140	53581-64150	BAND CORD	2				0.002	0.0044
150	13816-67580	CLAMP CORD	4				0.004	0.0088
160	15241-67580	CLAMP CORD	1				0.004	0.0088
170	44366-68380	BAND CORD	1				0.01	0.022



TA040-023-10

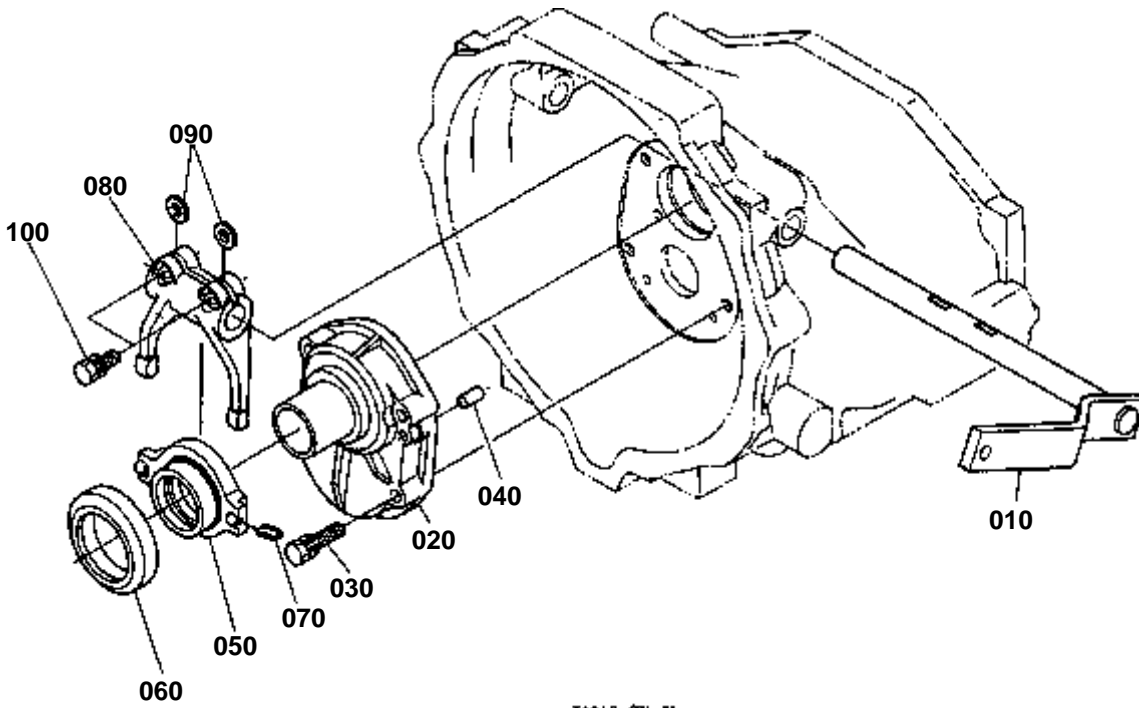


CLUTCH

↔ Interchangeable; ≠ not interchangeable; ← new for old; → old for new

REF.No	Part No.	Description	Q'ty	S.No.	I/C	REMARKS	Weight (kgf)	Weight (lb)
010	TA040-20600	ASSY PLATE PRESSURE	1				7.5	16.5
020	05012-01018	PIN STRAIGHT	3				0.012	0.0264
030	01123-50816	BOLT	6				0.011	0.0242
040	TA040-20500	COMP.DISK CLUTCH	1				1.2	2.64

CLUTCH LEVER



TA040-024-11

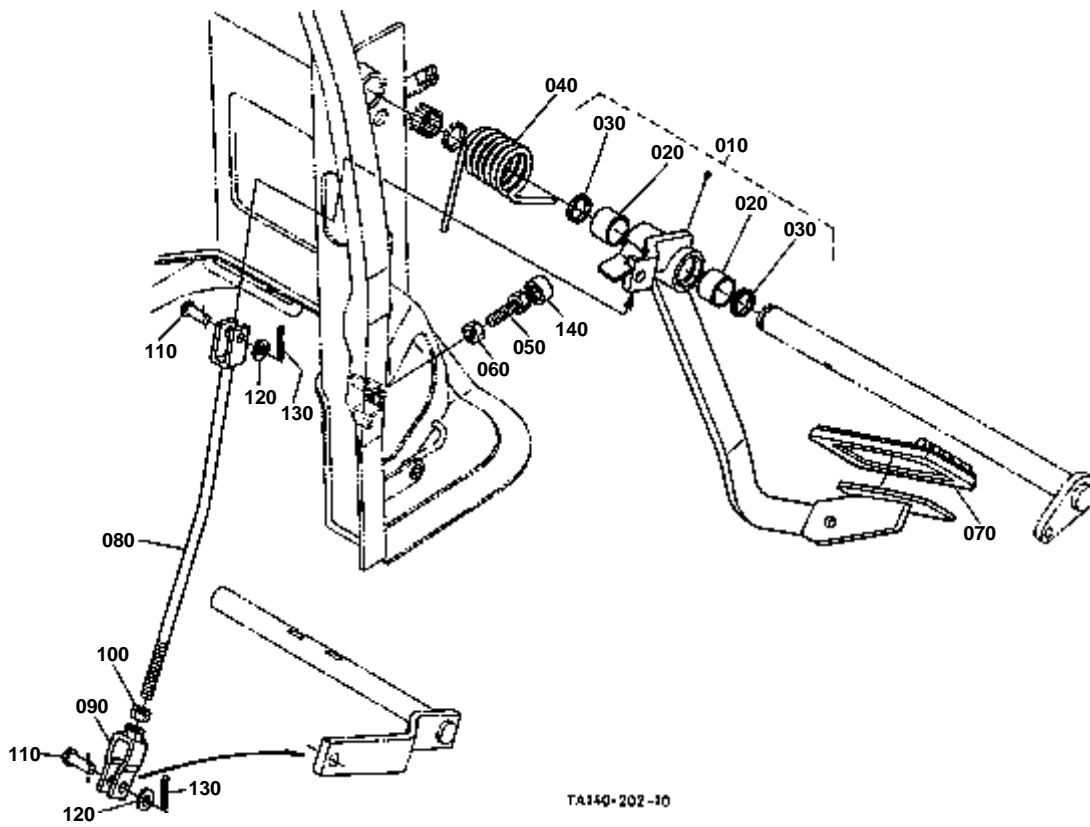


CLUTCH LEVER

↔ Interchangeable; ≠ not interchangeable; ← new for old; → old for new

REF.No	Part No.	Description	Q'ty	S.No.	I/C	REMARKS	Weight (kgf)	Weight (lb)
010	TA040-21172	LEVER CLUTCH	1				1.3	2.86
020	TA040-21100	CASE PROPELLER SHAFT	1				0.66	1.452
030	01123-50845	BOLT	4				0.02	0.044
040	05012-00818	PIN STRAIGHT	2				0.008	0.0176
050	TA040-21150	HOLDER CLUTCH	1				0.4	0.88
060	TA040-20700	BEARING RELEASE	1				0.28	0.616
070	TA040-21210	PIN SNAP	2				0.002	0.0044
080	TA040-21200	FORK CLUTCH RELEASE	1				0.54	1.188
090	31150-14780	KEY FORK	2				0.003	0.0066
100	01123-50825	BOLT	2				0.013	0.0286

CLUTCH PEDAL [HST TYPE] [ROPS TYPE]



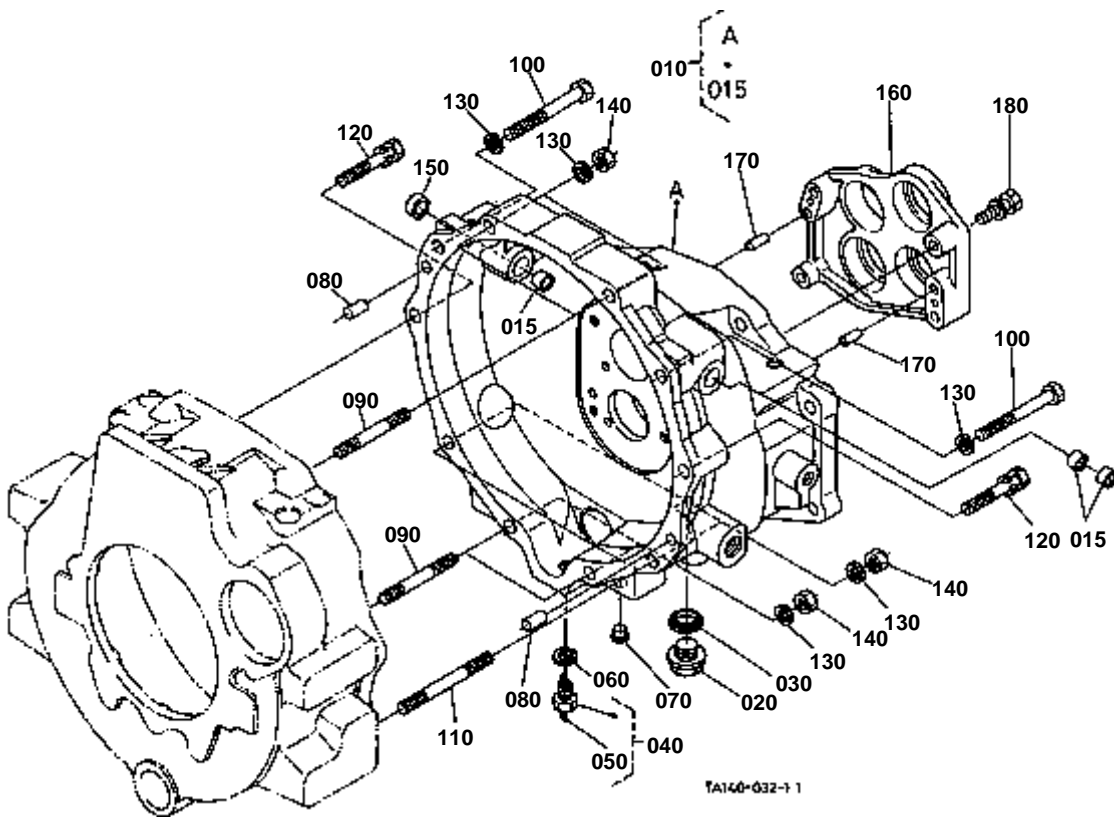


CLUTCH PEDAL [HST TYPE] [ROPS TYPE]

↔ Interchangeable; ≠ not interchangeable; ← new for old; → old for new

REF.No	Part No.	Description	Q'ty	S.No.	I/C	REMARKS	Weight (kgf)	Weight (lb)
010	TA240-44050	COMP.PEDAL CLUTCH	1				1.56	3.432
020	08511-02520	BUSH	2				0.02	0.044
030	34070-44140	SEAL OIL	2				0.005	0.011
040	TA040-44160	SPRING	1				0.108	0.2376
050	01073-51030	BOLT	1				0.028	0.0616
060	02116-50100	NUT	1				0.004	0.0088
070	37410-44120	COVER PEDAL	1				0.08	0.176
080	TA040-44462	ROD CLUTCH	1				0.24	0.528
090	34070-44470	U JOINT	1				0.08	0.176
100	02176-50100	NUT	1				0.005	0.011
110	05122-61028	PIN JOINT	2				0.02	0.044
120	04013-60100	WASHER PLAIN	2				0.004	0.0088
130	05511-50318	PIN SPLIT	2				0.001	0.0022
140	T0270-47490	CUSHION	1				0.002	0.0044

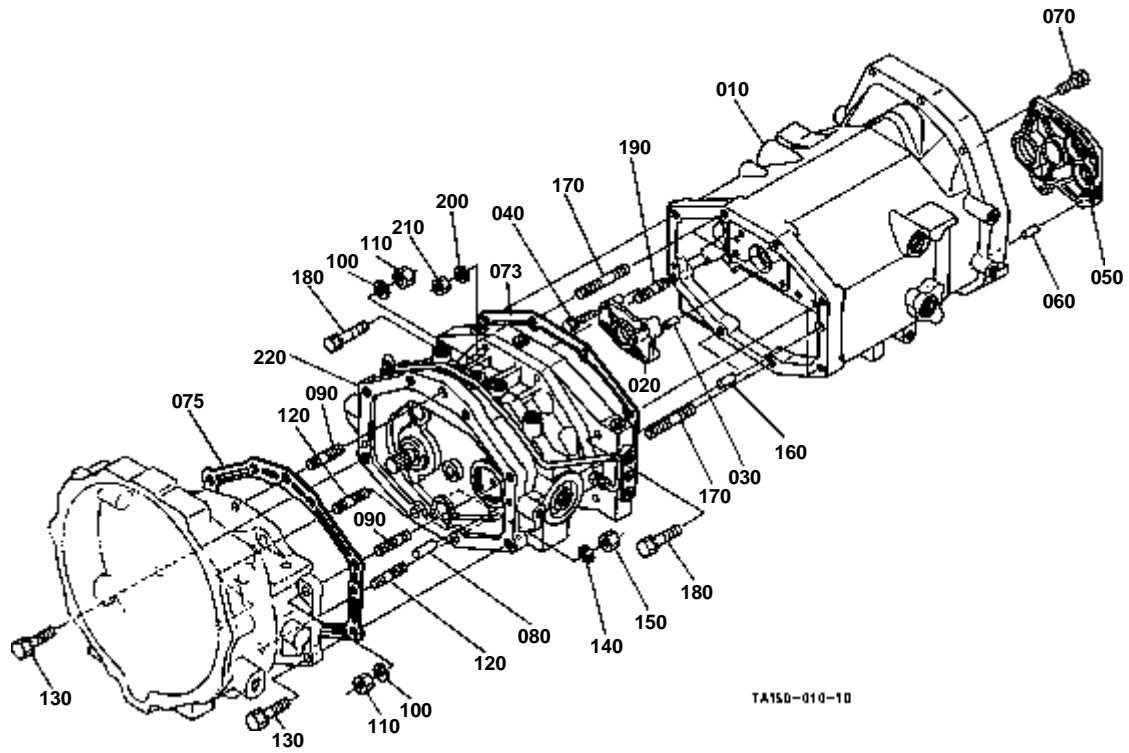
CLUTCH HOUSING [HST TYPE]



**CLUTCH HOUSING [HST TYPE]**

↔ Interchangeable; ≠ not interchangeable; ← new for old; → old for new

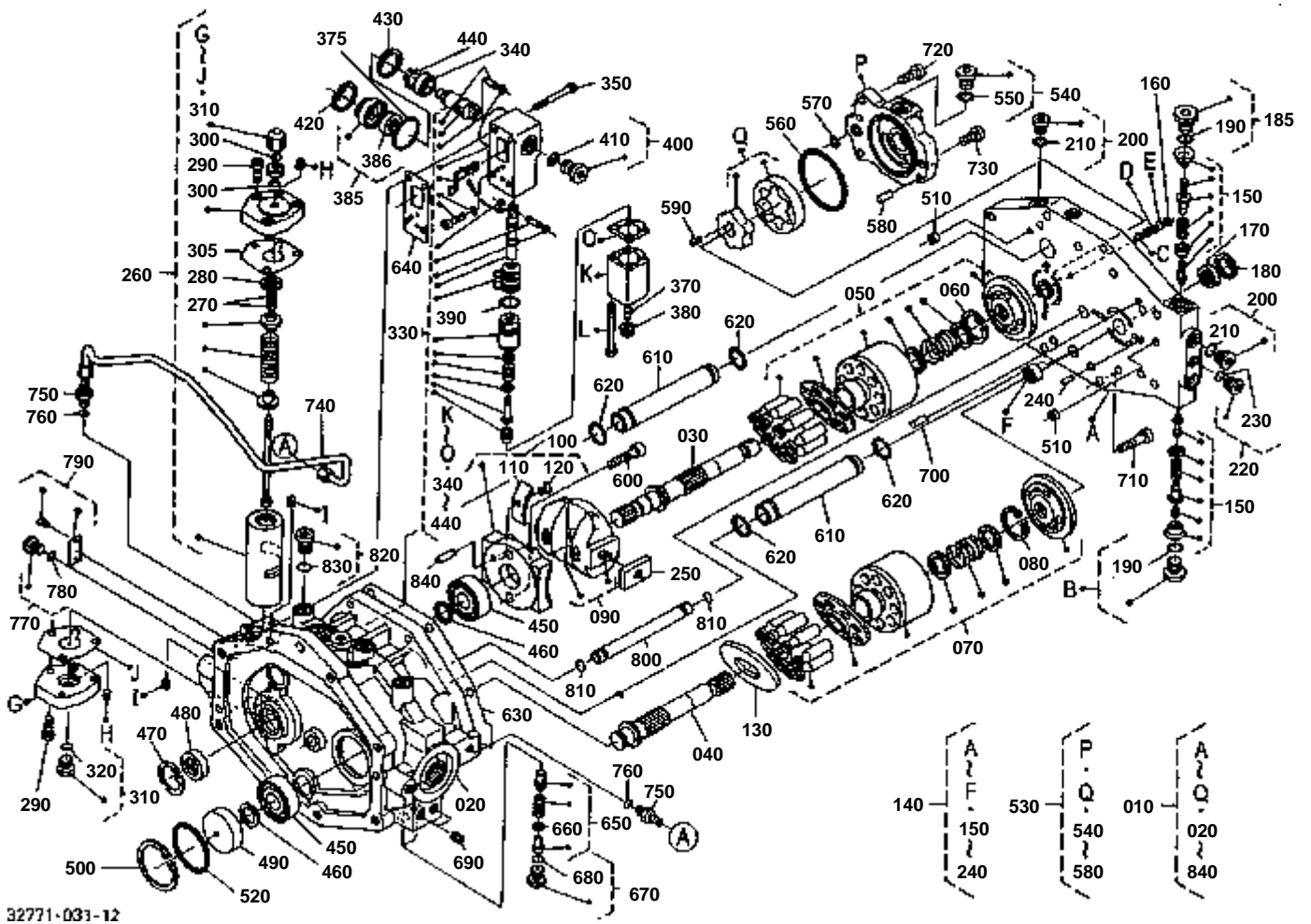
REF.No	Part No.	Description	Q'ty	S.No.	I/C	REMARKS	Weight (kgf)	Weight (lb)
010	TA250-51150	ASSY HOUSING CLUTCH	1				0	0
015	08511-01915	BUSH	3				0.01	0.022
020	15512-96010	PLUG DRAIN	1				0.101	0.2222
030	04717-02150	WASHER WITH RUBBER	1				0.004	0.0088
040	32430-14270	KIT PLUG	1				0.04	0.088
050	05511-50430	PIN SPLIT	1				0.004	0.0088
060	04512-60140	WASHER SPRING	1				0.006	0.0132
070	32210-27580	PLUG	6				0.001	0.0022
080	05012-01018	PIN STRAIGHT	2				0.012	0.0264
090	01574-51265	STUD	4				0.067	0.1474
100	01173-51295	BOLT	2				0.086	0.1892
110	01574-51285	STUD	2				0.085	0.187
120	01133-51265	BOLT	2				0.065	0.143
130	04512-60120	WASHER SPRING	8				0.005	0.011
140	02176-50120	NUT	6				0.01	0.022
150	31351-38720	PLUG	1				0.005	0.011
160	TA240-51250	HOLDER BEARING	1	≤72464			1.66	3.652
160	32771-51250	HOLDER BEARING	1	≥72465	←		0	0
170	05012-00818	PIN STRAIGHT	2				0.008	0.0176
180	01123-50845	BOLT	4				0.02	0.044



**MID CASE [HST TYPE]**

↔ Interchangeable; ≠ not interchangeable; ← new for old; → old for new

REF.No	Part No.	Description	Q'ty	S.No.	I/C	REMARKS	Weight (kgf)	Weight (lb)
010	TA250-50320	CASE MID HST	1				34	74.8
020	TA240-50330	HOLDER BEARING	1				0.94	2.068
030	05012-00818	PIN STRAIGHT	2				0.008	0.0176
040	01123-50850	BOLT	4				0.02	0.044
050	TA240-51350	HOLDER MID-BRG.PTO	1				2.4	5.28
060	05012-00818	PIN STRAIGHT	2				0.008	0.0176
070	01133-51030	BOLT	4				0.025	0.055
073	TA150-90380	GASKET MID CASE	1				0.047	0.1034
075	TA250-50310	GASKET	1				0.03	0.066
080	05012-01018	PIN STRAIGHT	2				0.012	0.0264
090	TA240-50280	STUD	5				0.066	0.1452
100	04512-60140	WASHER SPRING	5				0.006	0.0132
110	TA240-50240	NUT	5				0.009	0.0198
120	TA240-50210	STUD	2				0.071	0.1562
130	01138-51240	BOLT	2				0.05	0.11
140	04512-60120	WASHER SPRING	2				0.005	0.011
150	35340-27360	NUT	2				0.015	0.033
160	05012-01018	PIN STRAIGHT	2				0.012	0.0264
170	TA240-50220	STUD	4				0.062	0.1364
180	01138-51255	BOLT	3				0.06	0.132
190	TA240-50210	STUD	1				0.071	0.1562
200	04512-60120	WASHER SPRING	5				0.005	0.011
210	35340-27360	NUT	5				0.015	0.033
220	TA240-58004	ASSY HST	1	<=72663			0	0
220	TA240-58005	ASSY HST	1	>=72664	≠		62	136.4



32771-031-12

850 TA240-5955-0
860 TA240-5935-0
870 01350-10520



TA150-818-10



HST [COMPONENT PARTS] [HST TYPE]

↔ Interchangeable; ≠ not interchangeable; ← new for old; → old for new

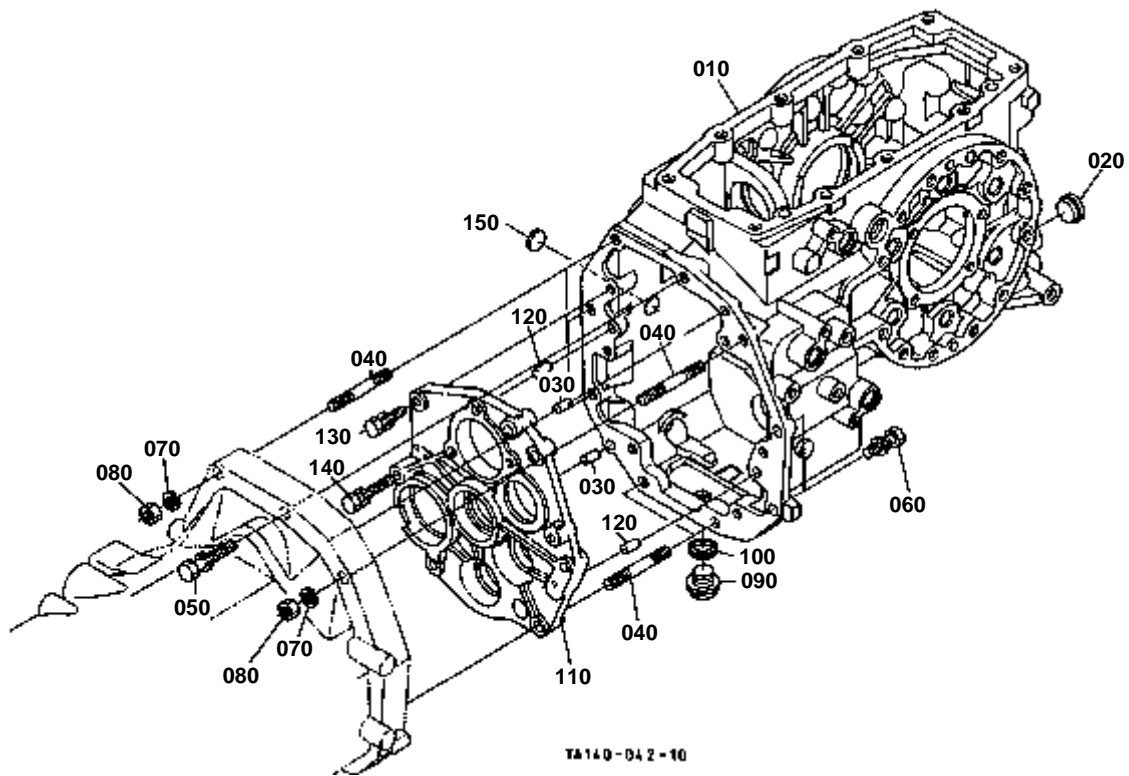
REF.No	Part No.	Description	Q'ty	S.No.	I/C	REMARKS	Weight (kgf)	Weight (lb)
010	TA240-58004	ASSY HST	1	<=72663			0	0
010	TA240-58005	ASSY HST	1	>=72664	≠		62	136.4
020	TA240-58110	CASE HST	1	<=69999			27	59.4
020	TA240-58114	CASE HST	1	>=70001	≠		0	0
030	TA240-58120	SHAFT PUMP	1				0.995	2.189
040	TA240-58130	SHAFT MOTOR	1				0.85	1.87
050	TA240-58500	ASSY ROTARY PUMP	1				3	6.6
060	04611-00350	CIR CLIP INTERNAL	1				0.003	0.0066
070	TA240-58600	ASSY ROTARY MOTOR	1				3	6.6
080	04611-00350	CIR CLIP INTERNAL	1				0.003	0.0066
090	TA240-58700	ASSY SWASH PLATE	1				1.105	2.431
100	TA240-58800	ASSY BRACKET	1				0.785	1.727
110	TA240-58820	METAL	2				0.01	0.022
120	03056-50510	SCREW CSK-HD	2				0.001	0.0022
130	TA240-58140	PLATE	1				0.166	0.3652
140	TA240-58900	ASSY COVER PORTBLOCK	1				14	30.8
150	TA240-59000	ASSY VALVE HIGH	2				0.05	0.11
160	04611-00160	CIR CLIP INTERNAL	1				0.001	0.0022
170	58700-11290	SEAL OIL	1				0.012	0.0264
180	04611-00400	CIR CLIP INTERNAL	1				0.005	0.011
185	TA240-58960	ASSY PLUG	2				0	0
190	04810-00180	O RING	2				0.001	0.0022
200	TA240-58210	ASSY PLUG	5				0.026	0.0572
210	04810-00140	O RING	5				0.001	0.0022
220	TA240-58310	ASSY PLUG	1				0.018	0.0396
230	04810-00110	O RING	1				0.001	0.0022
240	05012-00614	PIN STRAIGHT	2				0.004	0.0088
250	TA240-58150	GUIDE	1				0.028	0.0616
260	TA240-59100	ASSY PISTON	1				2.64	5.808
270	02052-50080	NUT	2				0.004	0.0088
280	04611-00280	CIR CLIP INTERNAL	1				0.002	0.0044
290	01311-10825	BOLT HEX-SOC-HD	6				0.02	0.044
300	04810-00110	O RING	2				0.001	0.0022
305	TA240-59210	GASKET	2				0	0
310	TA240-58310	ASSY PLUG	1				0.018	0.0396
320	04810-00110	O RING	1				0.001	0.0022
330	TA240-59300	ASSY REGULATOR	1	<=72663			1.985	4.367
330	TA240-59303	ASSY REGULATOR	1	>=72664	≠		1.985	4.367
340	08101-06804	BEARING BALL	1				0.01	0.022
350	01350-10545	BOLT HEX-SOC-HD	4				0.008	0.0176
360	99999-99999	BLANK	0				0	0
370	03650-50825	SCREW SET	1				0	0
375	TA240-59450	O RING	1				0	0
380	TA240-59280	NUT	1				0.007	0.0154
385	TA240-59800	ASSY CASE	1				0	0
386	TA240-59820	SEAL OIL	1				0.005	0.011
390	04811-00210	O RING	1				0.001	0.0022
400	TA240-58210	ASSY PLUG	1				0.026	0.0572
410	04810-00140	O RING	1				0.001	0.0022
420	04611-00400	CIR CLIP INTERNAL	1				0.005	0.011
430	TA240-59290	COLLAR	1				0.005	0.011
440	04612-00190	CIR CLIP EXTERNAL	1				0.001	0.0022
450	38450-21980	BEARING BALL	2				0.225	0.495
460	04612-00250	CIR CLIP EXTERNAL	2				0.002	0.0044
470	04611-00400	CIR CLIP INTERNAL	1				0.005	0.011
480	58700-11290	SEAL OIL	1				0.012	0.0264
490	TA240-58160	COVER DISTANCE PIECE	1				0.34	0.748
500	04611-00650	CIR CLIP INTERNAL	1				0.011	0.0242
510	TA240-58170	GASKET	2				0.001	0.0022



HST [COMPONENT PARTS] [HST TYPE]

↔ Interchangeable; ≠ not interchangeable; ← new for old; → old for new

REF.No	Part No.	Description	Q'ty	S.No.	I/C	REMARKS	Weight (kgf)	Weight (lb)
520	04811-50650	O RING	1				0.002	0.0044
530	TA240-59500	ASSY PUMP	1				0.495	1.089
540	TA240-58310	ASSY PLUG	1				0.018	0.0396
550	04810-00110	O RING	1				0.001	0.0022
560	04811-50900	O RING	1				0.003	0.0066
570	04811-00180	O RING	1				0.001	0.0022
580	TA240-58230	PIN STRAIGHT	2				0.009	0.0198
590	05912-00510	KEY STRAIGHT	1				0.002	0.0044
600	01311-10825	BOLT HEX-SOC-HD	2				0.02	0.044
610	TA240-58180	PIPE PTO	2				0.17	0.374
620	04811-00280	O RING	4				0.002	0.0044
630	TA240-58190	GASKET	1				0.013	0.0286
640	TA240-58200	GASKET	1				0.003	0.0066
650	TA240-59600	ASSY VALVE LOW	2				0.05	0.11
660	TA240-59630	SHIM	2			0.5mm	0.001	0.0022
670	TA240-58210	ASSY PLUG	2				0.026	0.0572
680	04810-00140	O RING	2				0.001	0.0022
690	TA240-58220	PLUG	2				0.01	0.022
700	TA240-58230	PIN STRAIGHT	2				0.009	0.0198
710	TA240-58240	BOLT HEX-SOC-HD	8				0.051	0.1122
720	TA240-58250	BOLT HEX-SOC-HD	2				0.072	0.1584
730	TA240-58260	BOLT HEX-SOC-HD	1				0.044	0.0968
740	TA240-58270	PIPE	1	<=69999			0.135	0.297
740	TA240-58273	PIPE	1	>=70001	≠		0	0
750	TA240-58280	NIPPLE	2				0.036	0.0792
760	04810-00110	O RING	2				0.001	0.0022
770	TA240-58290	ASSY PLUG	1				0.011	0.0242
780	04810-00080	O RING	1				0.001	0.0022
790	TA240-59700	ASSY PLATE	1				0.003	0.0066
800	TA240-58300	PIPE	1				0.095	0.209
810	04811-00150	O RING	2				0.001	0.0022
820	TA240-58310	ASSY PLUG	3				0.018	0.0396
830	04810-00110	O RING	3				0.001	0.0022
840	TA240-58320	PIN STRAIGHT	1				0.002	0.0044
850	TA240-59550	ASSY LEVER REGULATOR	1	<=72663			0.05	0.11
860	TA240-59350	LEVER REGULATOR	1	<=72663		NOT SALE	0	0
870	01350-10520	BOLT HEX-SOC-HD	1	<=72663			0.004	0.0088

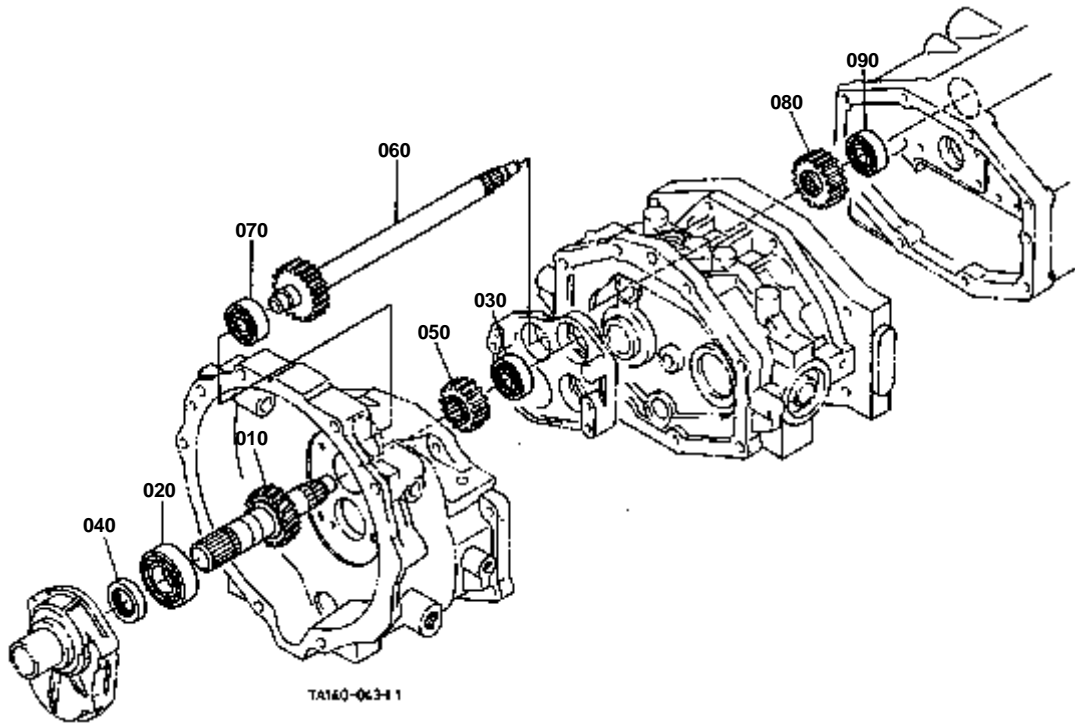


**TRANSMISSION CASE [HST TYPE]**

↔ Interchangeable; ≠ not interchangeable; ← new for old; → old for new

REF.No	Part No.	Description	Q'ty	S.No.	I/C	REMARKS	Weight (kgf)	Weight (lb)
010	TA040-20402	CASE TRANSMISSION	1	<=73190			41	90.2
010	TA040-20404	CASE TRANSMISSION	1	>=73191	←		41	90.2
020	31301-14230	GAUGE OIL	1				0.005	0.011
030	05012-01018	PIN STRAIGHT	2				0.012	0.0264
040	TA150-28910	STUD	6				0.06	0.132
050	01138-51260	BOLT	1				0.32	0.704
060	01138-51235	BOLT	2				0.21	0.462
070	04512-60120	WASHER SPRING	6				0.005	0.011
080	35340-27360	NUT	6				0.015	0.033
090	15512-96010	PLUG DRAIN	1				0.101	0.2222
100	04717-02150	WASHER WITH RUBBER	1				0.004	0.0088
110	TA240-50450	HOLDER BEARING	1				4.7	10.34
120	05012-01018	PIN STRAIGHT	2				0.012	0.0264
130	01133-51040	BOLT	5				0.03	0.066
140	01133-51060	BOLT	1				0.042	0.0924
150	34076-60470	PLUG	1				0.005	0.011

MAIN SHAFT [HST TYPE]



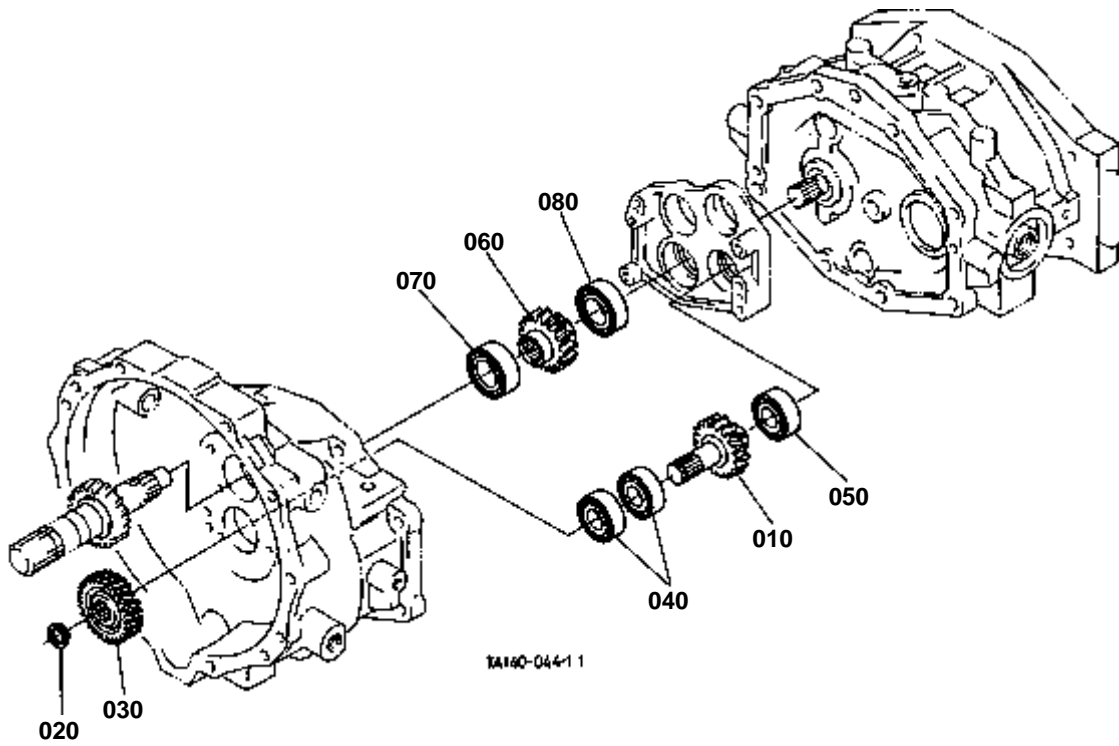


MAIN SHAFT [HST TYPE]

↔ Interchangeable; ≠ not interchangeable; ← new for old; → old for new

REF.No	Part No.	Description	Q'ty	S.No.	I/C	REMARKS	Weight (kgf)	Weight (lb)
010	TA240-51400	GEAR-SHAFT PTO	1			24T	1.52	3.344
020	08101-06207	BEARING BALL	1				0.282	0.6204
030	37410-14320	BEARING BALL	1				0.145	0.319
040	09500-35529	SEAL OIL	1				0.017	0.0374
050	TA240-51410	GEAR PTO	1			19T	0.28	0.616
060	TA240-51420	GEAR-SHAFT PTO	1			20T	1.545	3.399
070	37410-14320	BEARING BALL	1				0.145	0.319
080	TA220-51432	GEAR PTO	1			20T	0.355	0.781
090	37410-14320	BEARING BALL	1				0.145	0.319

INPUT SHAFT [HST TYPE]

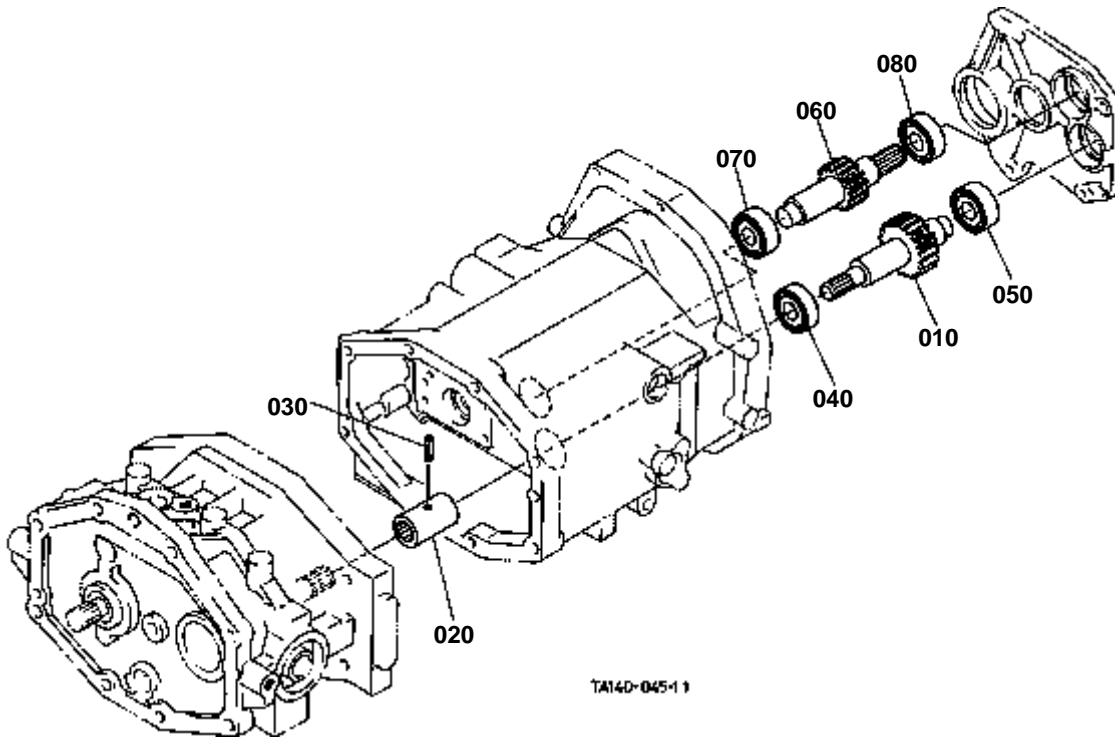




INPUT SHAFT [HST TYPE]

↔ Interchangeable; ≠ not interchangeable; ← new for old; → old for new

REF.No	Part No.	Description	Q'ty	S.No.	I/C	REMARKS	Weight (kgf)	Weight (lb)
010	TA240-52100	GEAR-SHAFT	1			18T	0.64	1.408
020	37150-21550	CIR CLIP EXTERNAL	1				0.06	0.132
030	TA040-22110	GEAR	1			27T	0.425	0.935
040	37410-57190	BEARING BALL	2				0.14	0.308
050	67121-56770	BEARING BALL	1				0.127	0.2794
060	TA240-52200	GEAR	1			18T	0.43	0.946
070	08101-06007	BEARING BALL	1				0.16	0.352
080	36920-40090	BEARING BALL	1				0.1	0.22



TA14D-045-1 1

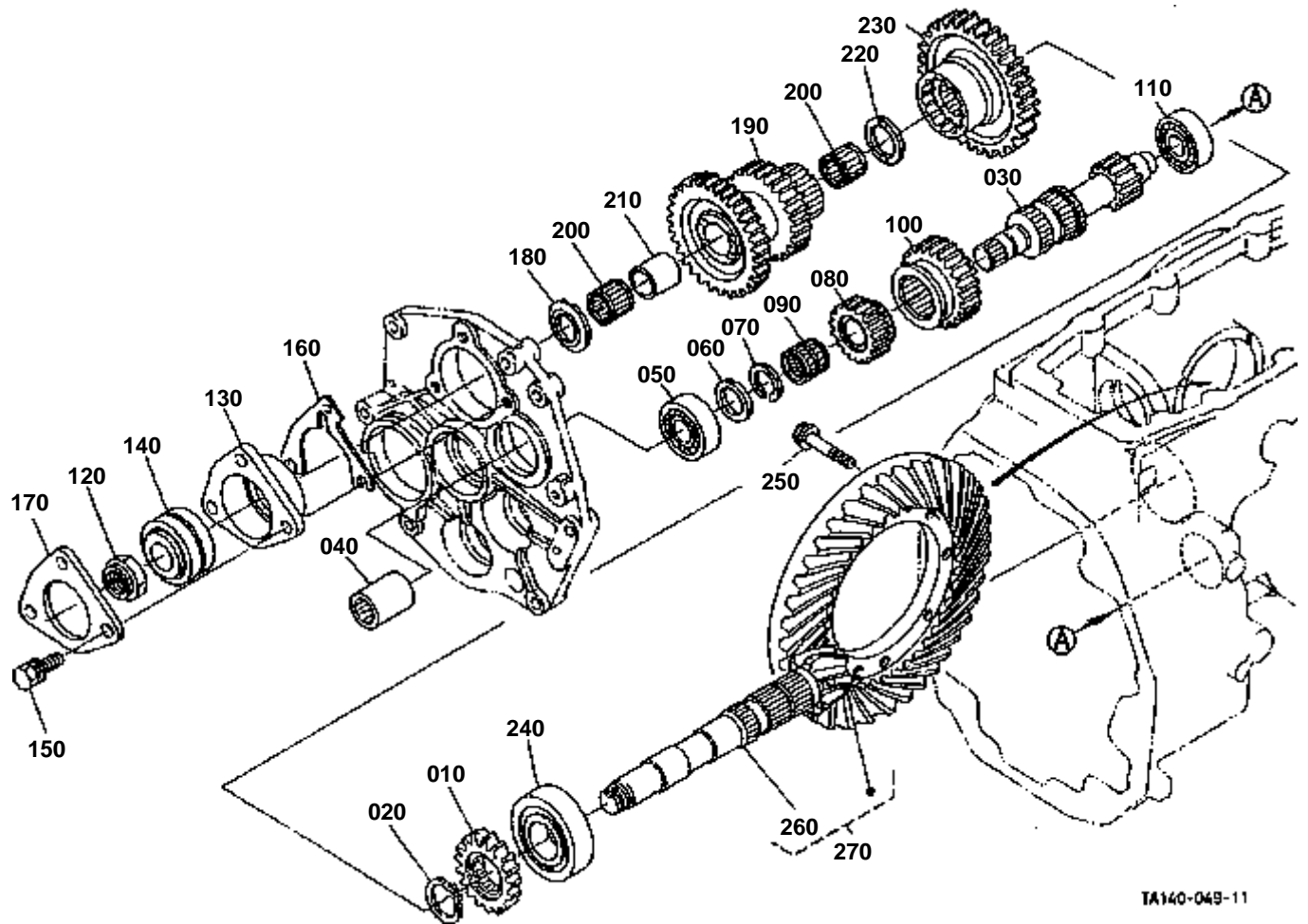


OUTPUT SHAFT [HST TYPE]

↔ Interchangeable; ≠ not interchangeable; ← new for old; → old for new

REF.No	Part No.	Description	Q'ty	S.No.	I/C	REMARKS	Weight (kgf)	Weight (lb)
010	TA240-52400	GEAR-SHAFT HST	1			22T	1.43	3.146
020	33710-41310	COUPLING	1				0.2	0.44
030	05411-00635	PIN SPRING	1				0.005	0.011
040	08101-06205	BEARING BALL	1				0.14	0.308
050	37410-57190	BEARING BALL	1				0.14	0.308
060	TA240-52500	GEAR-SHAFT HST	1			16T	1.08	2.376
070	08101-06205	BEARING BALL	1				0.14	0.308
080	37410-57190	BEARING BALL	1				0.14	0.308

SPIRAL BEVEL PINION [HST TYPE]



TA140-049-11

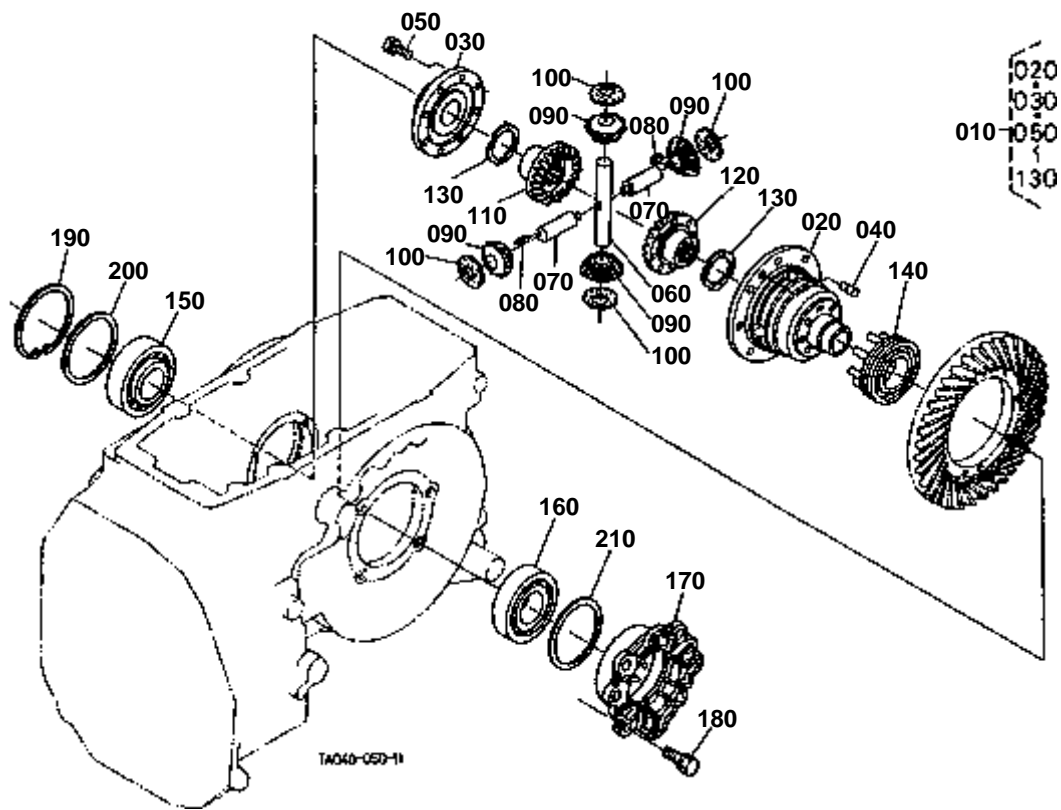


SPIRAL BEVEL PINION [HST TYPE]

↔ Interchangeable; ≠ not interchangeable; ← new for old; → old for new

REF.No	Part No.	Description	Q'ty	S.No.	I/C	REMARKS	Weight (kgf)	Weight (lb)
010	TA150-15110	GEAR 4WD	1			20T	0.3	0.66
020	04612-00350	CIR CLIP EXTERNAL	1				0.01	0.022
030	TA240-52600	GEAR-SHAFT	1			13T	1.345	2.959
040	37150-21682	COUPLING	1				0.24	0.528
050	08101-06305	BEARING BALL	1				0.23	0.506
060	34076-62650	COLLAR THRUST	1				0.01	0.022
070	37150-21790	CIR-CLIP	1				0.001	0.0022
080	TA240-52610	GEAR	1	<=73190		17T NOT SALE	0.2	0.44
080	TA240-52612	GEAR	1	>=73191	←	17T	0.2	0.44
090	TA040-22630	BEARING NEEDLE	1				0.02	0.044
100	TA250-52620	GEAR	1			28T	0.63	1.386
110	37410-57190	BEARING BALL	1				0.14	0.308
120	35260-23252	NUT	1				0.04	0.088
130	34070-22770	CASE	1	<=70846			0	0
130	34070-22772	CASE	1	>=70847	←		0	0
140	38240-22140	BEARING TAPER-ROLLER	1				0.56	1.232
150	01133-51040	BOLT	3				0.03	0.066
160	34070-22860	SHIM	2			0.5mm	0.015	0.033
160	34070-22870	SHIM	4			0.2mm	0.004	0.0088
160	34070-22880	SHIM	2			0.1mm	0.005	0.011
170	34070-22780	COVER BEARING	1				0.21	0.462
180	32420-67662	COLLAR THRUST	1				0.005	0.011
190	TA250-52710	GEAR	1			32-21-18T	1.275	2.805
200	34070-22430	BEARING NEEDLE	2				0.035	0.077
210	TA240-52730	COLLAR	1				0.046	0.1012
220	TA240-52720	COLLAR THRUST	1				0.01	0.022
230	T0070-22810	GEAR CREEP	1			46T	1.08	2.376
240	34070-22740	BEARING ROLLER	1				0.51	1.122
250	37800-43870	BOLT	8				0.026	0.0572
260	TA240-52700	GEAR-SHAFT	1			6T	1.66	3.652
270	TA240-99340	ASSY GEAR BEVEL	1				0	0

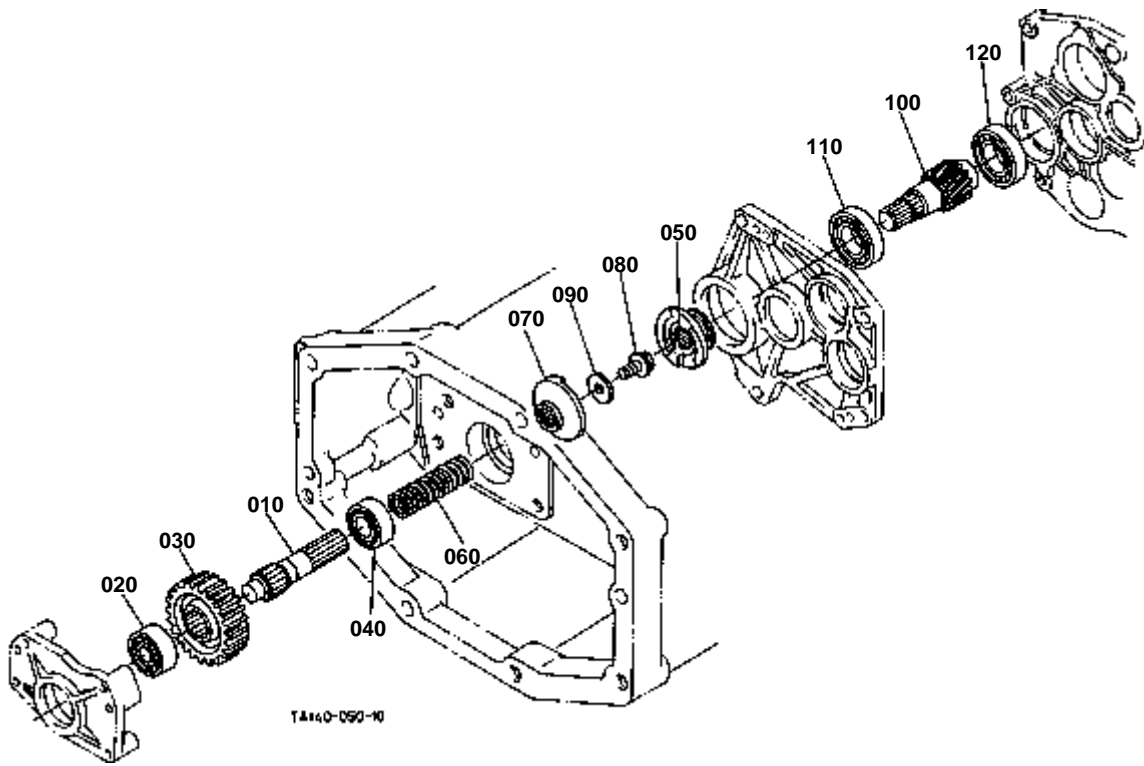
REAR DIFFERENTIAL



**REAR DIFFERENTIAL**

↔ Interchangeable; ≠ not interchangeable; ← new for old; → old for new

REF.No	Part No.	Description	Q'ty	S.No.	I/C	REMARKS	Weight (kgf)	Weight (lb)
010	3A011-32204	ASSY DIFFERENTIAL	1				6.2	13.64
020	3A011-32710	CASE DIFFERENTIAL	1				3.35	7.37
030	3A011-32044	COVER DIFF.CASE	1				0.795	1.749
040	37300-28170	PIN STRAIGHT	2				0.025	0.055
050	01133-51025	BOLT	8				0.023	0.0506
060	35430-26340	SHAFT DIFF.PINION	1				0.31	0.682
070	35430-26330	SHAFT DIFF.PINION	2				0.136	0.2992
080	31220-26280	KEY FEATHER	2				0.005	0.011
090	35430-26350	PINION DIFF.	4				0.16	0.352
100	31351-26390	WASHER DIFF.PINION	4				0.012	0.0264
110	37300-26430	GEAR DIFF.SIDE RH	1				0.475	1.045
120	37300-26440	GEAR DIFF.SIDE LH	1				0.63	1.386
130	31351-26470	WASHER SIDE GEAR	2			1.5mm	0.01	0.022
130	31351-26480	WASHER SIDE GEAR	2			1.6mm	0.015	0.033
130	31351-26490	WASHER SIDE GEAR	2			1.7mm	0.016	0.0352
130	3A011-32760	COLLAR THRUST	2			1.8mm	0.01	0.022
130	3A011-32780	COLLAR THRUST	2			2.0mm	0.01	0.022
140	31351-26610	SHIFTER DIFF.LOCK	1				0.43	0.946
150	08711-32011	BEARING TAPER-ROLLER	1				0.538	1.1836
160	08711-30209	BEARING TAPER-ROLLER	1				0.458	1.0076
170	34070-28360	SUPPORT DIFF.	1				0.405	0.891
180	01133-51025	BOLT	4				0.023	0.0506
190	04611-00900	CIR CLIP INTERNAL	1				0.031	0.0682
200	37410-16810	SHIM DIFFERENTIAL	1			0.4mm	0.01	0.022
200	37410-16820	SHIM DIFFERENTIAL	1			0.5mm	0.01	0.022
200	37410-16830	SHIM DIFFERENTIAL	1			0.6mm	0.01	0.022
200	37410-16840	SHIM DIFFERENTIAL	1			0.7mm	0.01	0.022
200	37410-16850	SHIM DIFFERENTIAL	1			0.8mm	0.008	0.0176
200	37410-16860	SHIM DIFFERENTIAL	1			0.9mm	0.009	0.0198
200	37410-16870	SHIM DIFFERENTIAL	1			1.0mm	0.01	0.022
200	37410-16880	SHIM DIFFERENTIAL	1			1.2mm	0.011	0.0242
200	37410-16890	SHIM DIFFERENTIAL	1			1.4mm	0.015	0.033
210	34070-28210	SHIM	1			0.4mm	0.01	0.022
210	34070-28230	SHIM	1			0.6mm	0.015	0.033
210	34070-28250	SHIM	1			0.8mm	0.015	0.033
210	34070-28270	SHIM	1			1.0mm	0.015	0.033
210	34070-28290	SHIM	1			1.2mm	0.02	0.044
210	34070-28310	SHIM	1			1.6mm	0.025	0.055

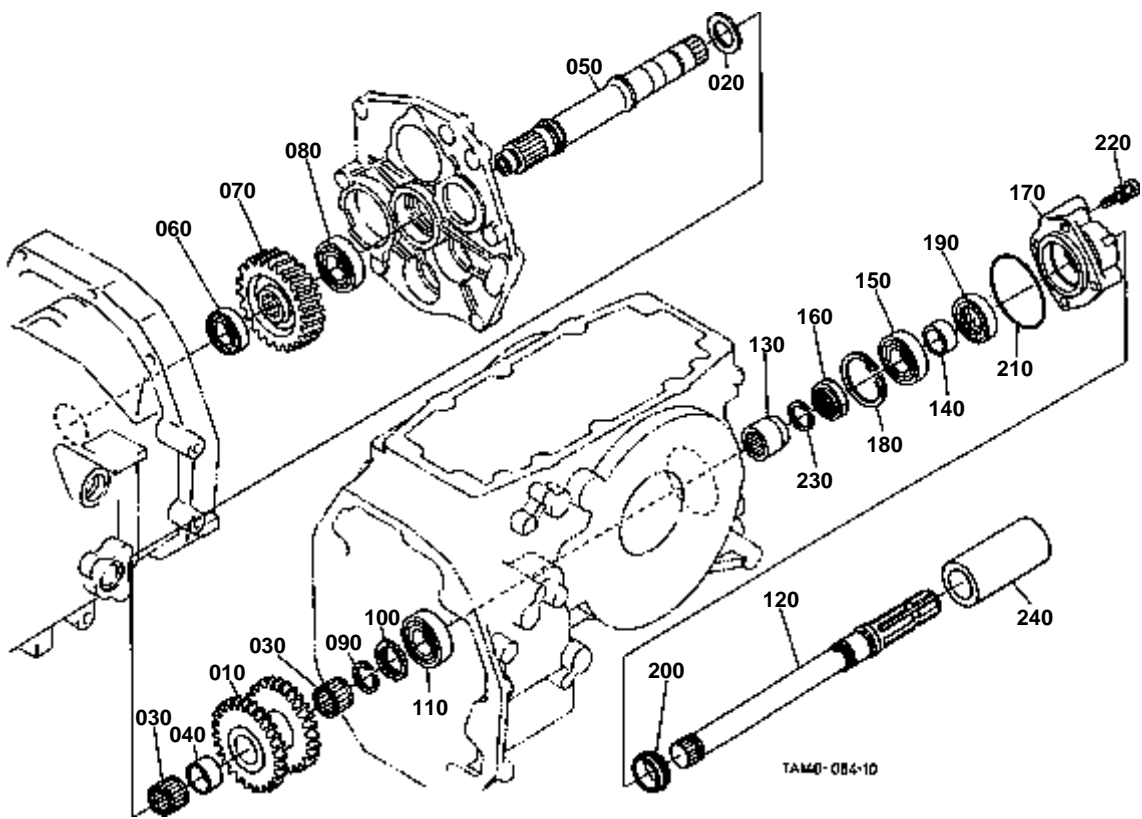


**PTO CLUTCH [HST TYPE]**

↔ Interchangeable; ≠ not interchangeable; ← new for old; → old for new

REF.No	Part No.	Description	Q'ty	S.No.	I/C	REMARKS	Weight (kgf)	Weight (lb)
010	TA240-53250	COUNTERSHAFT PTO	1				0.455	1.001
020	08101-06205	BEARING BALL	1				0.14	0.308
030	TA220-51443	GEAR PTO	1			35T	0.9	1.98
040	67121-56770	BEARING BALL	1				0.127	0.2794
050	TA040-23410	CAM CLUTCH	1				0.52	1.144
060	TA240-51470	SPRING	1				0.058	0.1276
070	TA040-23450	CAM CLUTCH	1				0.465	1.023
080	01779-51020	BOLT UBS	1	≤70846			0.025	0.055
080	TA140-23950	BOLT	1	≥70847	←		0	0
090	41330-76120	WASHER	1				0.025	0.055
100	TA250-23560	GEAR-SHAFT PTO	1			11T	0.68	1.496
110	TA140-25000	BEARING BALL	1				0.342	0.7524
120	36540-41130	BEARING BALL	1				0.34	0.748

PTO SHAFT [HST TYPE]



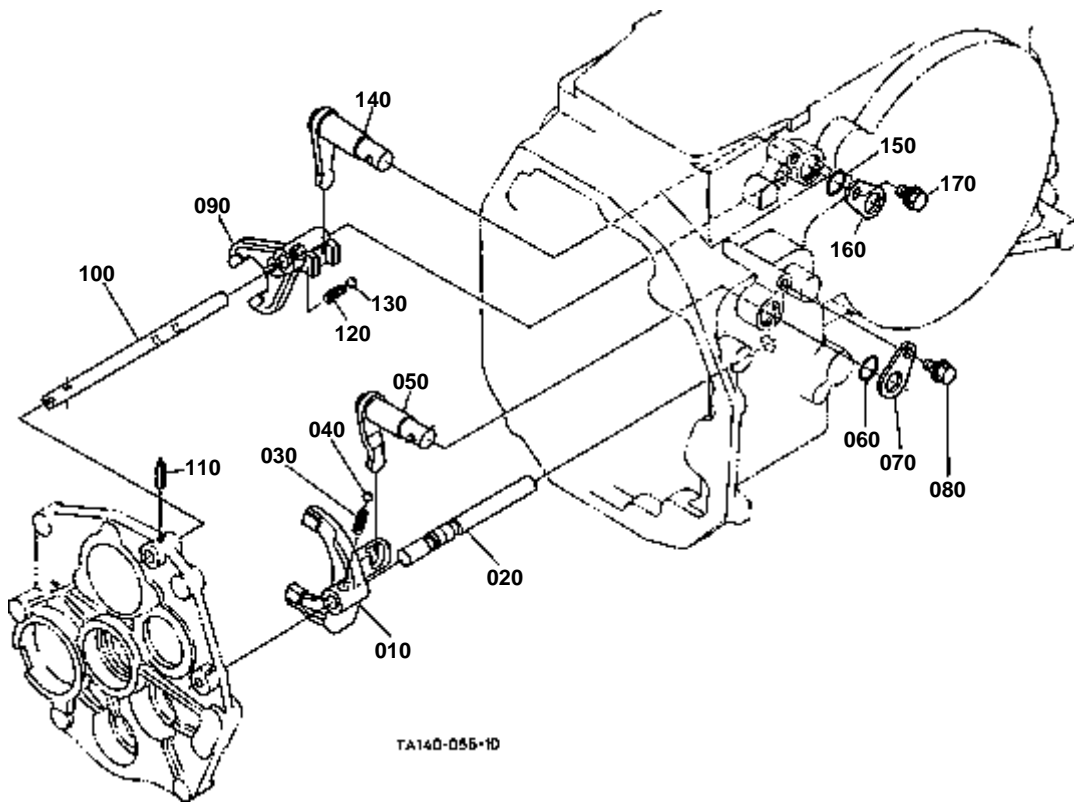


PTO SHAFT [HST TYPE]

↔ Interchangeable; ≠ not interchangeable; ← new for old; → old for new

REF.No	Part No.	Description	Q'ty	S.No.	I/C	REMARKS	Weight (kgf)	Weight (lb)
010	TA150-15120	GEAR	1			29-29T	1.55	3.41
020	38430-25232	COLLAR THRUST	1	<=72026			0.02	0.044
020	38430-25233	COLLAR THRUST	1	>=72027	←		0	0
030	08823-03526	BEARING NEEDLE	2				0.035	0.077
040	TA040-15130	COLLAR	1				0.022	0.0484
050	TA240-53680	SHAFT PTO DRIVE	1				1.6	3.52
060	37410-57190	BEARING BALL	1				0.14	0.308
070	TA240-23610	GEAR PTO	1			30T	1.51	3.322
080	37410-57330	BEARING BALL	1				0.2	0.44
090	34550-62430	CIR CLIP EXTERNAL	1	<=72388			0	0
090	37410-15280	CIR-CLIP	1	>=72389	←		0.005	0.011
100	34550-23360	COLLAR THRUST	1				0.025	0.055
110	37410-57330	BEARING BALL	1				0.2	0.44
120	TA040-23700	SHAFT PTO	1				2.1	4.62
130	TA040-23660	COUPLING PTO	1				0.165	0.363
140	35340-25350	COLLAR OIL SEAL	1				0.03	0.066
150	38430-25330	BEARING BALL	1				0.23	0.506
160	35340-25320	NUT	1				0.05	0.11
170	31391-25410	CASE BEARING	1				1.28	2.816
180	04611-00650	CIR CLIP INTERNAL	1				0.011	0.0242
190	35340-25360	SEAL OIL	1				0.024	0.0528
200	38240-25370	SLINGER	1				0.004	0.0088
210	04811-50800	O RING	1				0.003	0.0066
220	01123-50840	BOLT	4				0.018	0.0396
230	38430-25540	CIR CLIP EXTERNAL	1				0.004	0.0088
240	31220-25820	CAP	1				0.055	0.121

RANGE GEAR SHIFT FORK [HST TYPE]

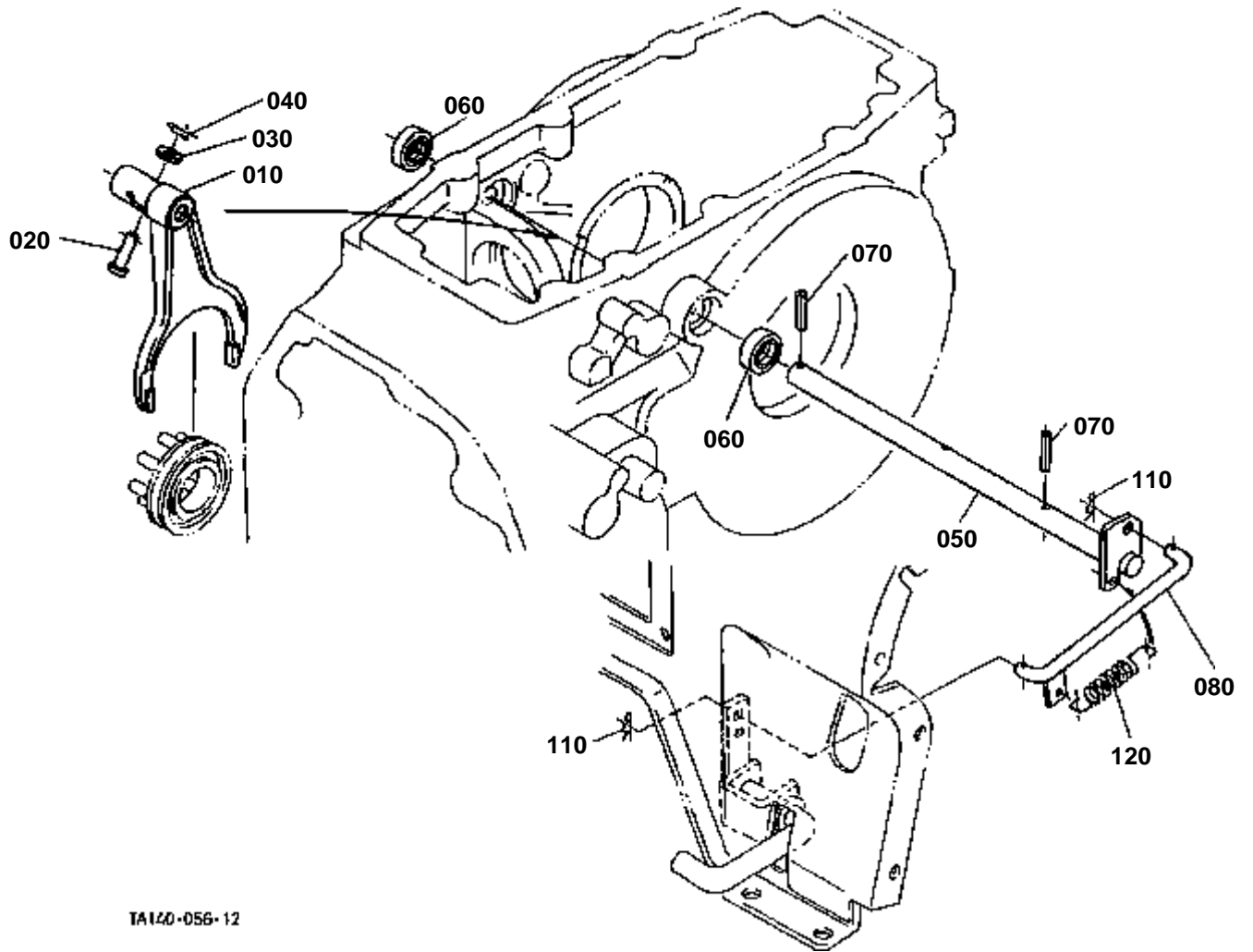


**RANGE GEAR SHIFT FORK [HST TYPE]**

↔ Interchangeable; ≠ not interchangeable; ← new for old; → old for new

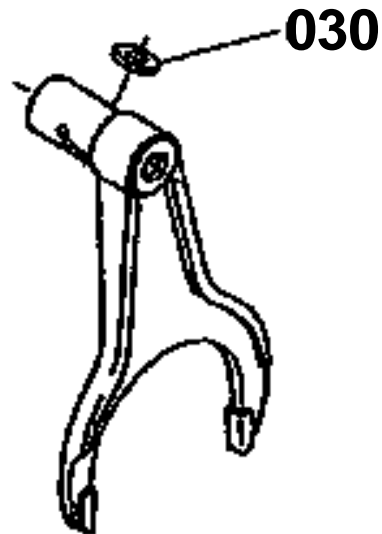
REF.No	Part No.	Description	Q'ty	S.No.	I/C	REMARKS	Weight (kgf)	Weight (lb)
010	TA240-54402	FORK RANGE SHIFT	1				0.285	0.627
020	TA240-54410	ROD SHIFF	1				0.168	0.3696
030	62231-18530	SPRING	1				0.01	0.022
040	07715-01605	BALL	1				0.003	0.0066
050	TA040-24420	ARM RANGE SHIFT	1				0.215	0.473
060	04811-00200	O RING	1				0.001	0.0022
060	04816-00200	O RING	1		←		0.003	0.0066
070	34070-24350	STOPPER	1				0.02	0.044
080	01754-50812	BOLT FLANGE	1				0.01	0.022
090	TA240-54502	FORK SHIFT L	1				0.33	0.726
100	TA040-24510	ROD FORK	1				0.19	0.418
110	05411-00522	PIN SPRING	1				0.002	0.0044
120	62231-18530	SPRING	1				0.01	0.022
130	07715-01605	BALL	1				0.003	0.0066
140	34070-24420	ARM SHIFT	1				0.22	0.484
150	04811-00200	O RING	1				0.001	0.0022
150	04816-00200	O RING	1		←		0.003	0.0066
160	34070-24350	STOPPER	1				0.02	0.044
170	01754-50812	BOLT FLANGE	1				0.01	0.022

DIFFERENTIAL LOCK SHIFT FORK [HST TYPE][ROPS TYPE]



TA140-056-12

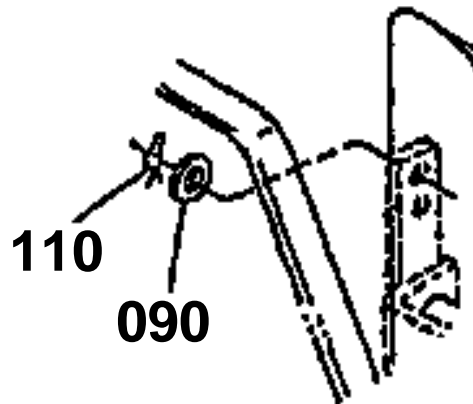
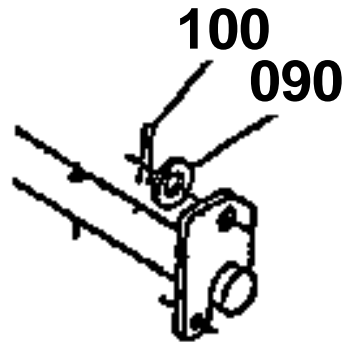
030 04013-60060



090 04012-50080

100 05511-50218

110 05515-50800



TA150-B13-10

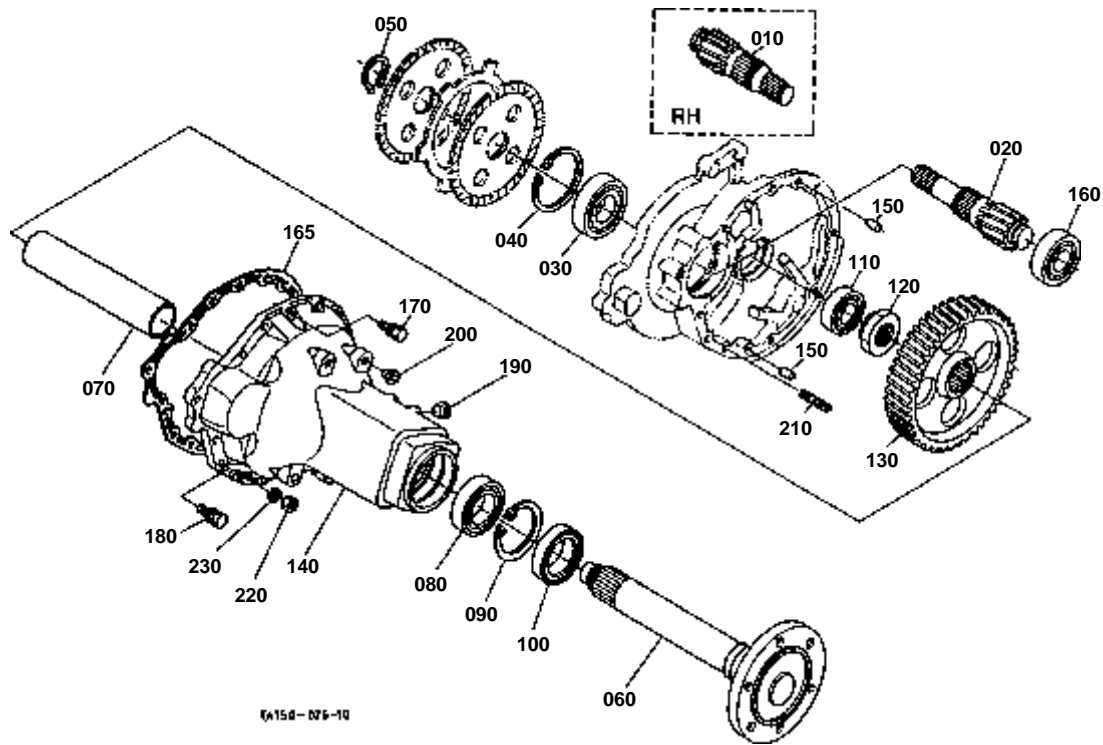


DIFFERENTIAL LOCK SHIFT FORK [HST TYPE][ROPS TYPE]
[EXCEPTE TYPE CABINE]

↔ Interchangeable; ≠ not interchangeable; ← new for old; → old for new

REF.No	Part No.	Description	Q'ty	S.No.	I/C	REMARKS	Weight (kgf)	Weight (lb)
010	31351-26630	FORK DIFF.LOCK SHIFT	1	≤72760		NOT SALE	0.465	1.023
010	31351-26632	FORK DIFF.LOCK SHIFT	1	≥72761	←		0.465	1.023
020	31351-26620	PIN JOINT	1				0.008	0.0176
030	04013-60060	WASHER PLAIN	1	≤72326			0.001	0.0022
040	3A011-32870	PIN SNAP	1	≤72326			0.001	0.0022
040	50080-34110	PIN SNAP	1	≥72327	←		0.001	0.0022
050	TA240-28400	SHAFT FORK	1				0.555	1.221
060	09500-16287	SEAL OIL	2				0.01	0.022
070	05411-00635	PIN SPRING	2				0.005	0.011
080	T0070-28414	ROD DIFF.LOCK	1				0.08	0.176
090	04012-50080	WASHER PLAIN	2	≤72237			0.001	0.0022
100	05511-50218	PIN SPLIT	1	≤72237			0.001	0.0022
110	05515-60800	PIN SNAP	1	≤72237			0.002	0.0044
110	05515-60800	PIN SNAP	2	≥72238			0.002	0.0044
120	37150-15840	SPRING	1				0.06	0.132

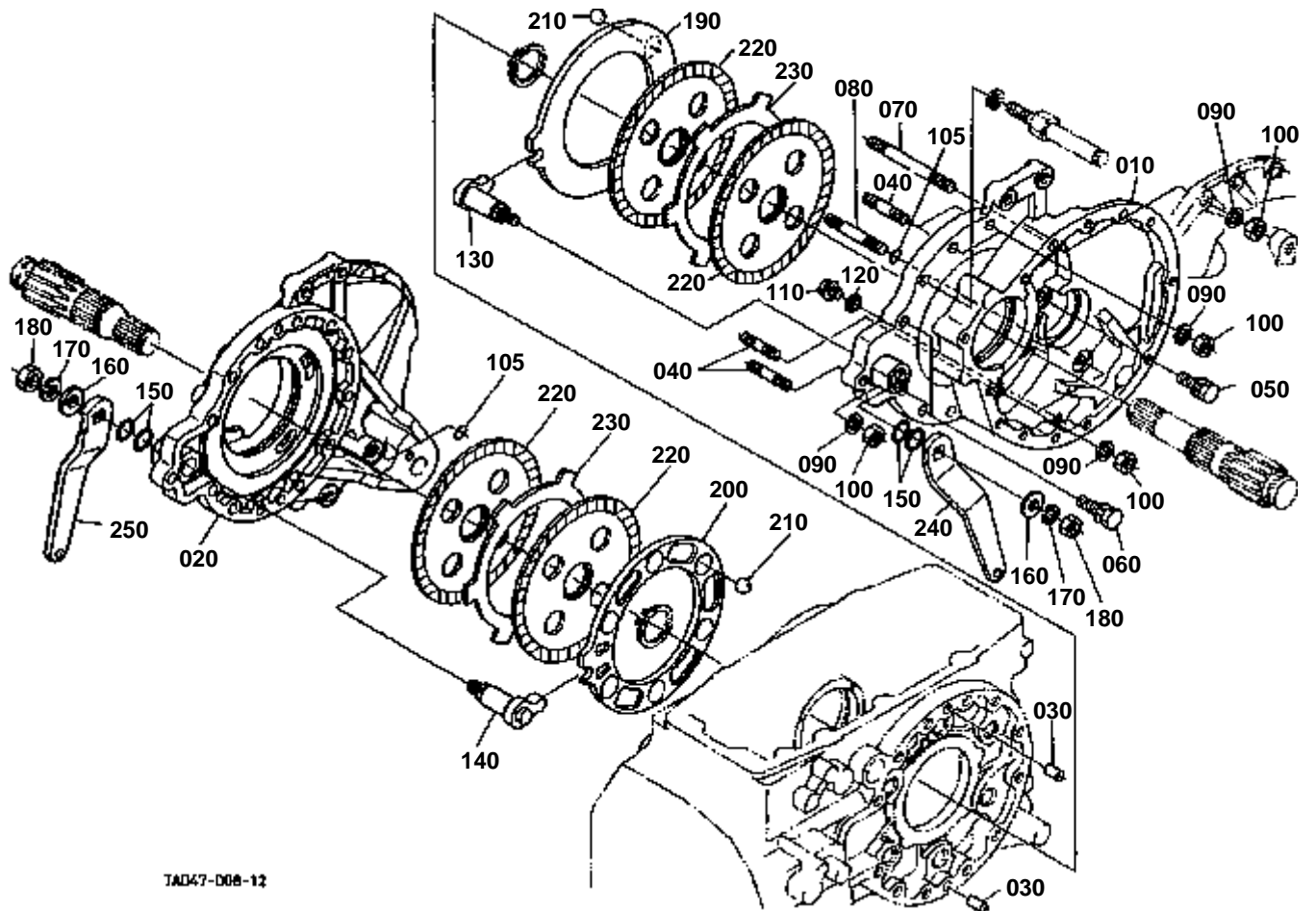
REAR AXLE [ROPS TYPE]



**REAR AXLE [ROPS TYPE]**

↔ Interchangeable; ≠ not interchangeable; ← new for old; → old for new

REF.No	Part No.	Description	Q'ty	S.No.	I/C	REMARKS	Weight (kgf)	Weight (lb)
010	TA040-26710	SHAFT DIFF.GEAR RH	1			11T	2	4.4
020	TA040-26720	SHAFT DIFF.GEAR LH	1			11T	2.2	4.84
030	08101-06309	BEARING BALL	2				0.82	1.804
040	04611-01000	CIR CLIP INTERNAL	2				0.042	0.0924
050	04612-00450	CIR CLIP EXTERNAL	2				0.007	0.0154
060	32430-27115	AXLE REAR	2				11	24.2
070	32430-27144	SPACER	2				1.7	3.74
080	08101-06210	BEARING BALL	2				0.45	0.99
090	04611-00900	CIR CLIP INTERNAL	2				0.031	0.0682
100	31359-44510	SEAL OIL	2				0.18	0.396
110	TA140-25000	BEARING BALL	2				0.342	0.7524
120	70631-15730	NUT	2				0.15	0.33
130	32440-26830	GEAR	2			60T	6.6	14.52
140	32440-27334	CASE REAR AXLE	2				19	41.8
150	37150-27370	PIN STRAIGHT	4				0.009	0.0198
160	08100-00026	BEARING BALL	2				0.495	1.089
165	TA150-28880	GASKET	2				0.017	0.0374
170	01133-51035	BOLT	10				0.03	0.066
180	01133-51240	BOLT	2				0.05	0.11
190	31220-14290	PLUG	12				0.002	0.0044
200	32210-27580	PLUG	8				0.001	0.0022
210	34070-20313	STUD	8				0.045	0.099
220	37300-14190	NUT	8				0.009	0.0198
230	04512-60100	WASHER SPRING	8				0.002	0.0044

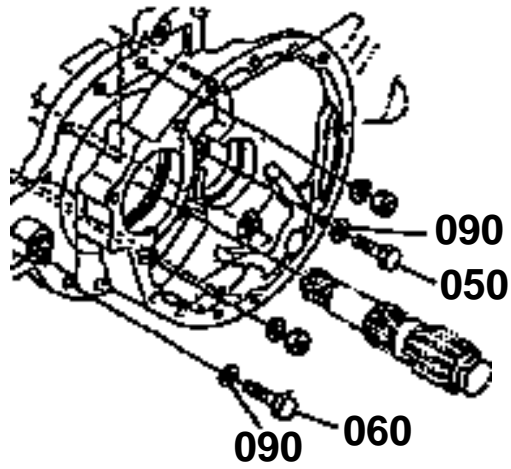


TAD47-D08-12

050 01173-51235

060 01173-51245

090 04512-60120

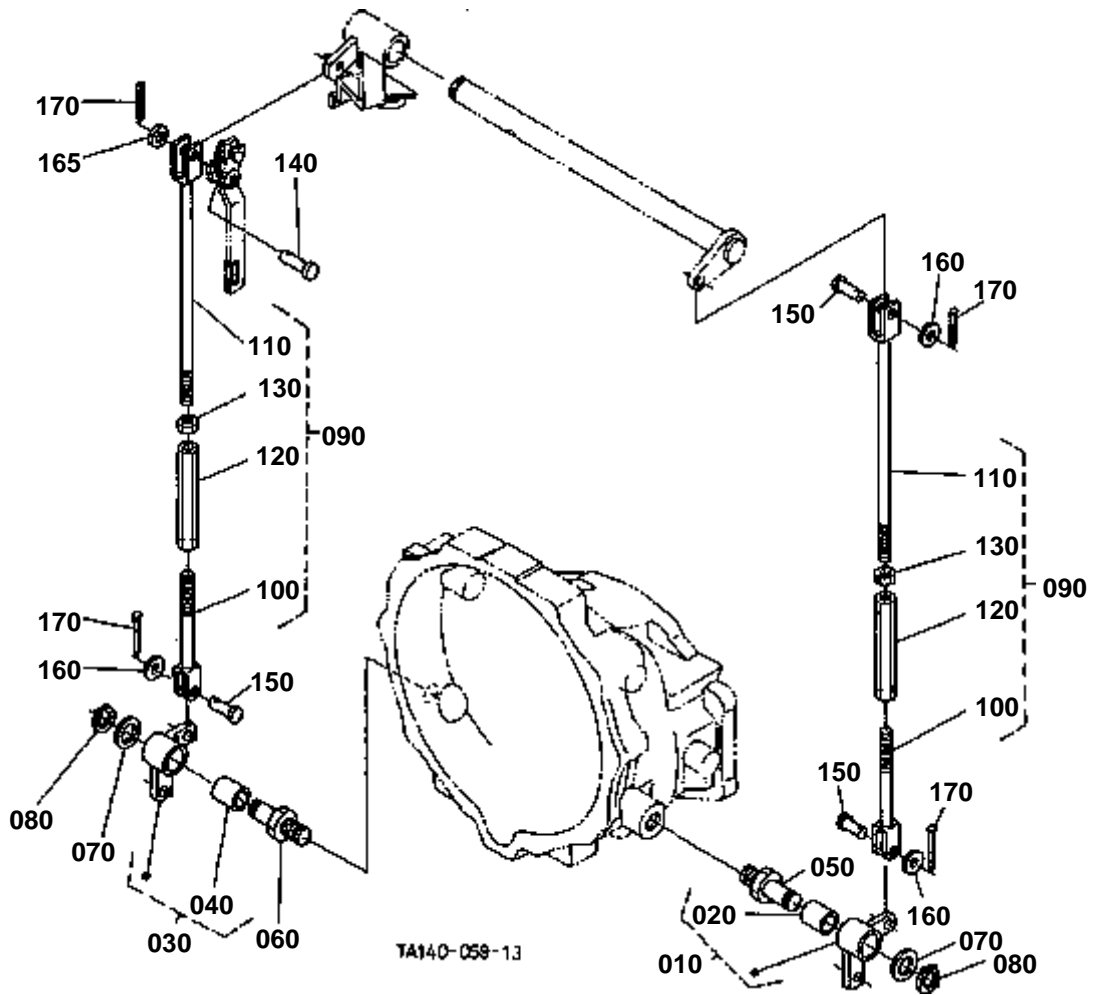


TA147-820-10

**BRAKE**

↔ Interchangeable; ≠ not interchangeable; ← new for old; → old for new

REF.No	Part No.	Description	Q'ty	S.No.	I/C	REMARKS	Weight (kgf)	Weight (lb)
010	TA040-28617	CASE BRAKE LH	1	<=73628		NOT SALE	14.6	32.12
010	TA040-28618	CASE BRAKE LH	1	>=73629	←		14.6	32.12
020	TA040-28627	CASE BRAKE RH	1	<=73628		NOT SALE	14.6	32.12
020	TA040-28628	CASE BRAKE RH	1	>=73629	←		14.6	32.12
030	05012-01018	PIN STRAIGHT	4				0.012	0.0264
040	01574-61240	STUD	14				0.045	0.099
050	01173-51235	BOLT	2	<=72399			0.04	0.088
050	01133-51235	BOLT	2	>=72400	←		0.05	0.11
060	01173-51245	BOLT	6	<=72399			0.049	0.1078
060	01133-51245	BOLT	6	>=72400	←		0.055	0.121
070	01574-51200	STUD	2				0.1	0.22
080	01574-61260	STUD	2				0.05	0.11
090	04512-60120	WASHER SPRING	26	<=72399			0.005	0.011
090	04512-60120	WASHER SPRING	18	>=72400			0.005	0.011
100	02176-50120	NUT	18				0.01	0.022
105	04811-10120	O RING	2				0.001	0.0022
110	06331-45010	PLUG	2				0.02	0.044
120	04717-01000	WASHER WITH RUBBER	2				0.001	0.0022
130	34070-28715	CAM BRAKE LH	1				0.285	0.627
140	34070-28725	CAM BRAKE RH	1				0.285	0.627
150	04811-00220	O RING	4				0.001	0.0022
150	04817-00220	O RING	4		←		0.005	0.011
160	04015-60120	WASHER PLAIN	2				0.022	0.0484
170	04512-60120	WASHER SPRING	2				0.005	0.011
180	02174-50120	NUT	2				0.01	0.022
190	34070-28770	PLATE BRAKE CAM LH	1				1.11	2.442
200	34070-28780	PLATE BRAKE CAM RH	1				1.09	2.398
210	07715-00805	BALL	12				0.016	0.0352
220	37150-28200	DISK BRAKE	4				0	0
220	T1060-28200	DISK BRAKE MAIN	4		↔		0.75	1.65
230	37720-28170	PLATE	2				0.422	0.9284
240	34070-44615	LEVER BRAKE CAM LH	1				0.41	0.902
250	34070-44623	LEVER BRAKE CAM RH	1				0.41	0.902

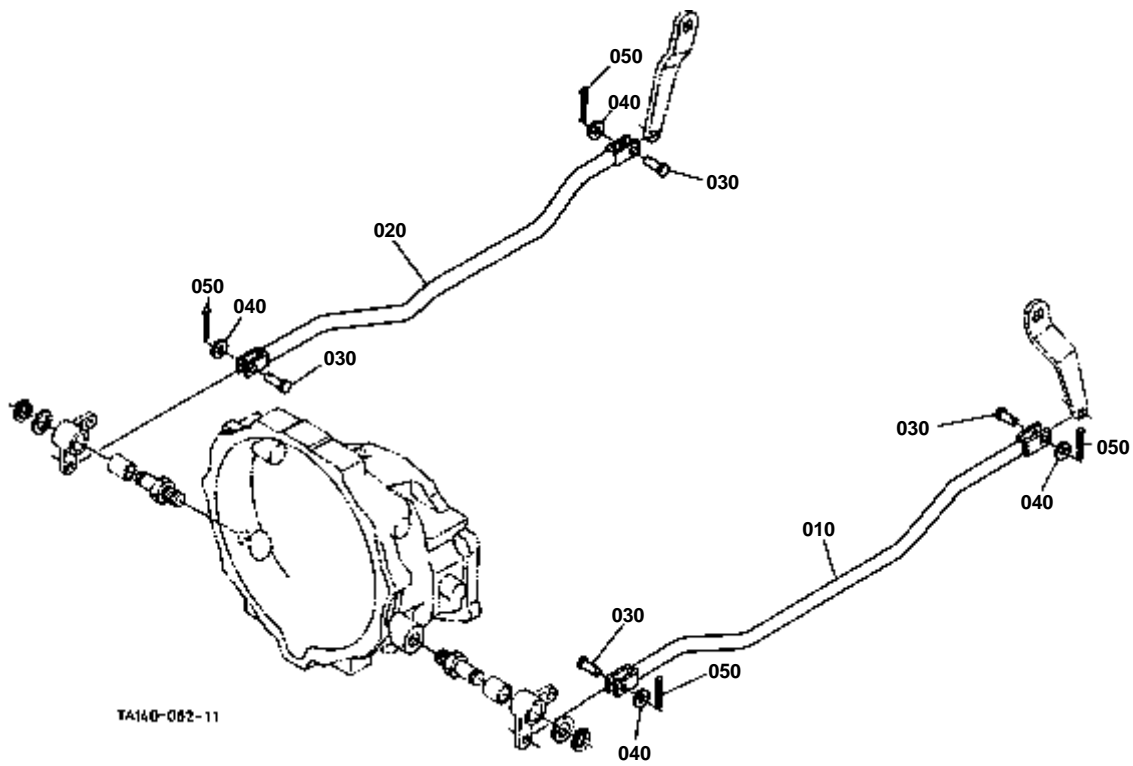


**BRAKE ROD 1 [HST TYPE] [ROPS TYPE]**

↔ Interchangeable; ≠ not interchangeable; ← new for old; → old for new

REF.No	Part No.	Description	Q'ty	S.No.	I/C	REMARKS	Weight (kgf)	Weight (lb)
010	34070-44810	ASSY LEVER BRAKE LH	1				0	0
020	34070-44890	BUSH	1				0.035	0.077
030	34070-44910	ASSY LEVER BRAKE RH	1				0	0
040	34070-44890	BUSH	1				0.035	0.077
050	34070-44870	SHAFT BRAKE LH	1				0.225	0.495
060	34070-44880	SHAFT BRAKE RH	1				0.22	0.484
070	04011-50200	WASHER PLAIN	2				0.015	0.033
080	04612-00200	CIR CLIP EXTERNAL	2				0.001	0.0022
090	34070-44800	ASSY ROD BRAKE	2				0.425	0.935
100	34070-44840	ROD BRAKE LOWER	2				0.13	0.286
110	34070-44460	ROD CLUTCH BRAKE	2				0.225	0.495
120	32350-28980	TURNBUCKLE	2				0.124	0.2728
130	02116-50100	NUT	2				0.004	0.0088
140	05122-51035	PIN JOINT	1				0.023	0.0506
150	05122-61028	PIN JOINT	3				0.02	0.044
160	04013-60100	WASHER PLAIN	3				0.004	0.0088
165	TA240-56470	COLLAR BRAKE ROD	1				0.013	0.0286
170	05511-50318	PIN SPLIT	4				0.001	0.0022

BRAKE ROD 2 [HST TYPE]

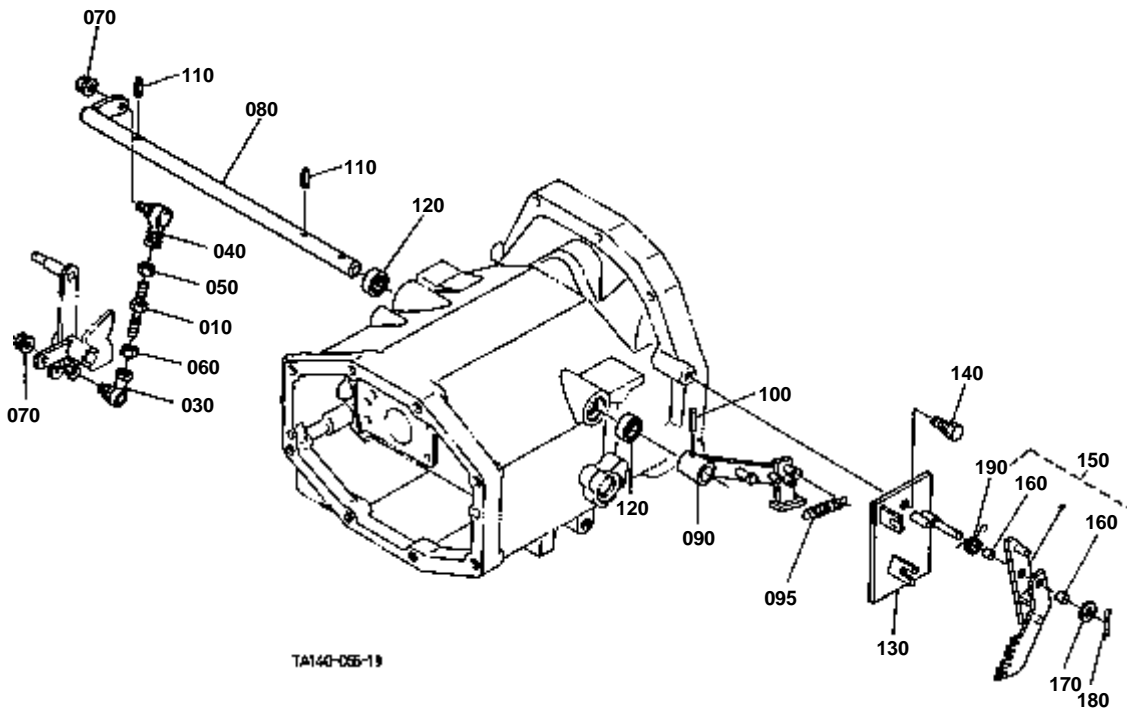


**BRAKE ROD 2 [HST TYPE]**

↔ Interchangeable; ≠ not interchangeable; ← new for old; → old for new

REF.No	Part No.	Description	Q'ty	S.No.	I/C	REMARKS	Weight (kgf)	Weight (lb)
010	TA040-44630	ROD BRAKE LH	1				1	2.2
020	TA240-44640	ROD BRAKE RH	1				0.98	2.156
030	05122-61028	PIN JOINT	4				0.02	0.044
040	04013-60100	WASHER PLAIN	4				0.004	0.0088
050	05511-50318	PIN SPLIT	4				0.001	0.0022

CRUISE CONTROL LEVER [HST TYPE]



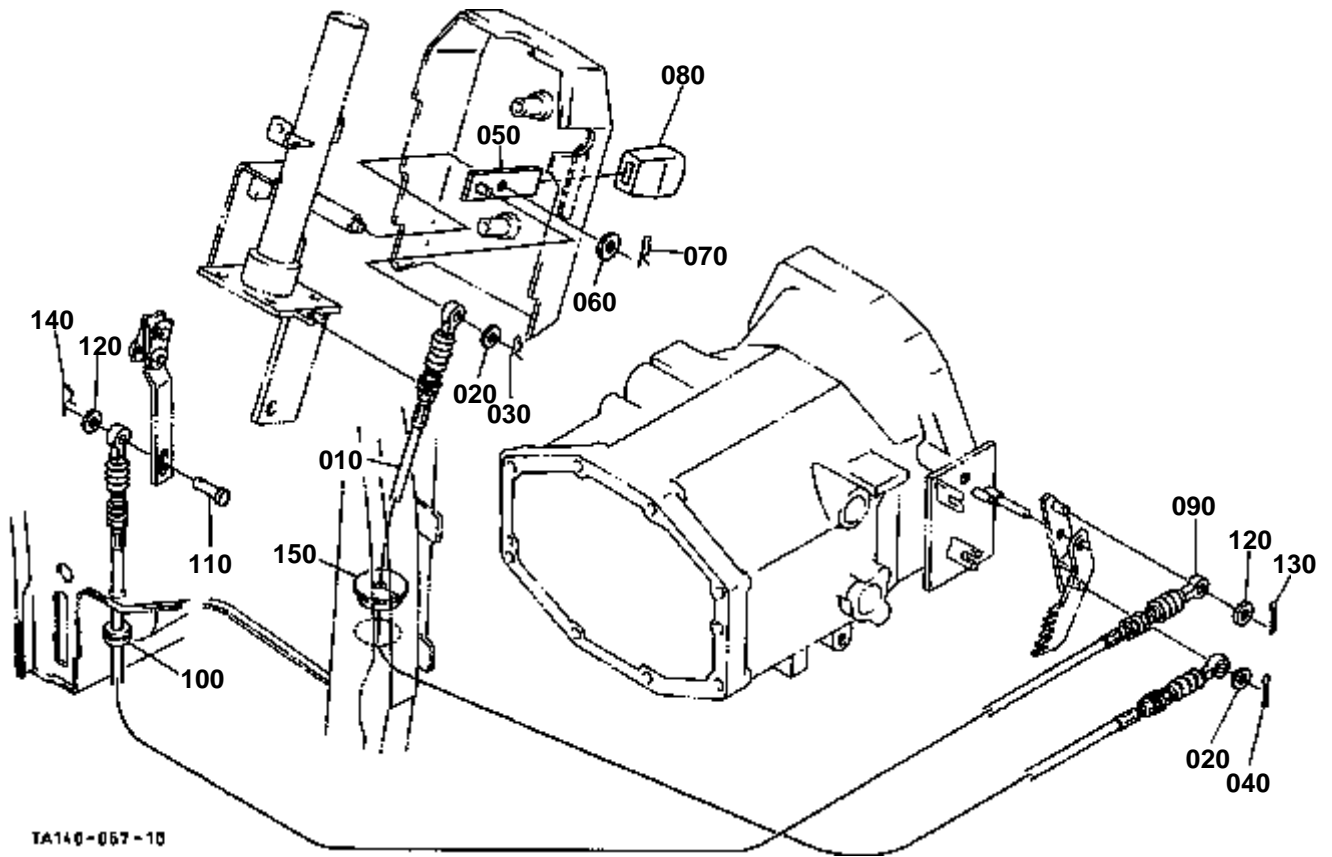


CRUISE CONTROL LEVER [HST TYPE]

↔ Interchangeable; ≠ not interchangeable; ← new for old; → old for new

REF.No	Part No.	Description	Q'ty	S.No.	I/C	REMARKS	Weight (kgf)	Weight (lb)
010	TA240-21270	ROD	1				0.026	0.0572
020	99999-99999	BLANK	0				0	0
030	45404-95770	END ROD	1				0.05	0.11
040	54721-31850	BALL LINK	1				0.065	0.143
050	37300-41330	NUT	1				0.005	0.011
060	02114-50080	NUT	1				0.005	0.011
070	02751-50080	NUT FLANGE	2				0.006	0.0132
080	TA240-21254	SHAFT	1				0.78	1.716
090	TA240-21260	LEVER HST LINK	1				0.23	0.506
095	67950-44170	LEVER SPRING	1				0.013	0.0286
100	05411-00625	PIN SPRING	1				0.004	0.0088
110	05411-00635	PIN SPRING	2				0.005	0.011
120	09500-16267	SEAL OIL	2				0.005	0.011
130	TA240-55273	BRACKET	1				0.695	1.529
140	01133-51020	BOLT	2				0.02	0.044
150	TA240-55280	ASSY LEVER	1				0.265	0.583
160	08511-00806	BUSH	2				0.001	0.0022
170	04013-60080	WASHER PLAIN	1				0.002	0.0044
180	05511-50215	PIN SPLIT	1				0.001	0.0022
190	TA240-55260	SPRING	1				0.005	0.011

CRUISE CONTROL CABLE [HST TYPE]



TA140-057-10

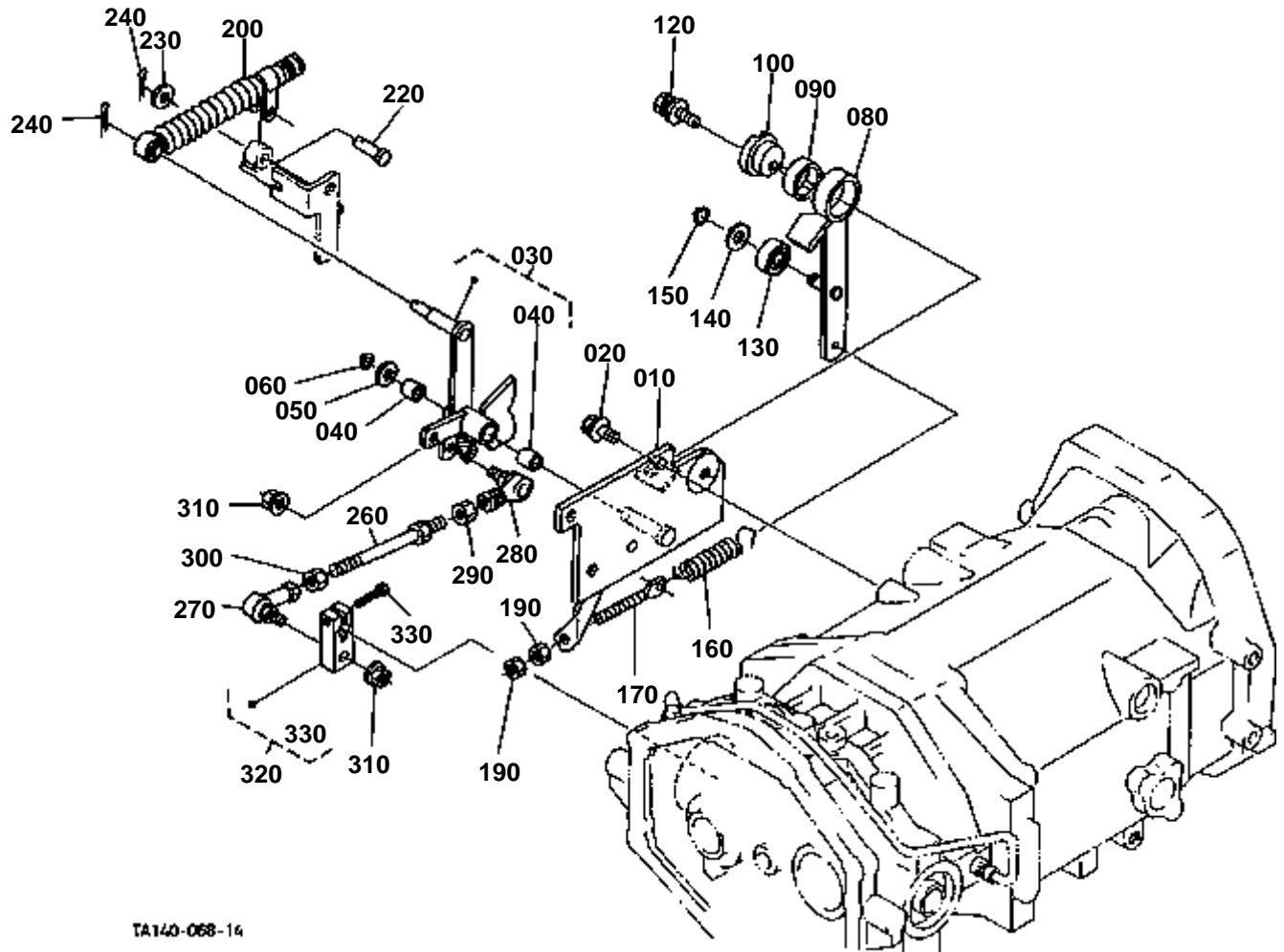


CRUISE CONTROL CABLE [HST TYPE]

↔ Interchangeable; ≠ not interchangeable; ← new for old; → old for new

REF.No	Part No.	Description	Q'ty	S.No.	I/C	REMARKS	Weight (kgf)	Weight (lb)
010	TA240-55300	WIRE CONTROL	1				0.205	0.451
020	04012-50060	WASHER PLAIN	2				0.001	0.0022
030	05525-60600	PIN SNAP	1				0.001	0.0022
040	05511-51612	PIN SPLIT	1				0.001	0.0022
050	TA240-55310	LEVER	1				0.06	0.132
060	04015-60080	WASHER PLAIN	1				0.01	0.022
070	05525-50800	PIN SNAP	1				0.001	0.0022
080	6C040-41360	GRIP LEVER	1				0.012	0.0264
090	TA140-24650	WIRE PTO	1				0.14	0.308
100	37410-51760	GROMMET	1				0.003	0.0066
110	05122-50614	PIN JOINT	1				0.004	0.0088
120	04012-50060	WASHER PLAIN	2				0.001	0.0022
130	05511-51612	PIN SPLIT	1				0.001	0.0022
140	05525-60600	PIN SNAP	1				0.001	0.0022
150	TA240-75630	GROMMET	1				0.02	0.044

NEUTRAL HOLDER LINK [HST TYPE]



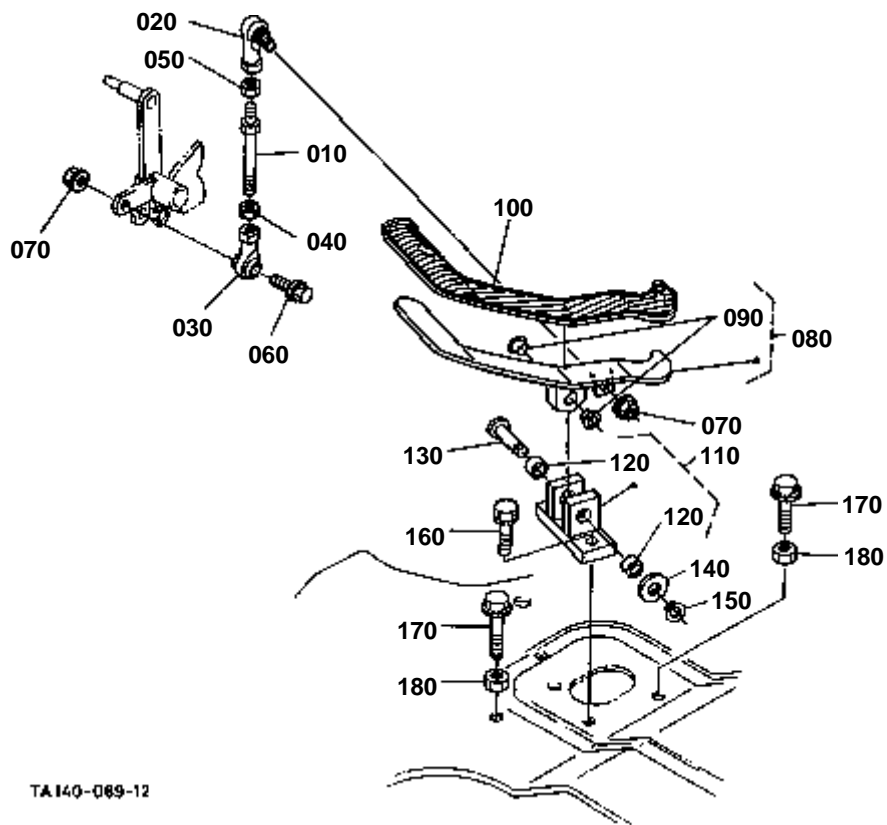
TA140-068-14



NEUTRAL HOLDER LINK [HST TYPE]

↔ Interchangeable; ≠ not interchangeable; ← new for old; → old for new

REF.No	Part No.	Description	Q'ty	S.No.	I/C	REMARKS	Weight (kgf)	Weight (lb)
010	TA240-55173	BRACKET HST	1				1.09	2.398
020	01774-61020	BOLT FLANGE	2				0.022	0.0484
030	TA240-55503	ASSY ARM	1				0.445	0.979
030	TA240-55504	ASSY ARM	1		↔		0	0
040	08511-01215	BUSH	2				0.005	0.011
050	04013-60120	WASHER PLAIN	1				0.01	0.022
060	04612-00120	CIR CLIP EXTERNAL	1				0.001	0.0022
070	99999-99999	BLANK	0				0	0
080	TA240-55190	ARM HOLDER	1				0.14	0.308
090	66204-43572	BUSH	1				0.003	0.0066
100	66204-43352	SHAFT HOLDER	1				0.072	0.1584
110	99999-99999	BLANK	0				0	0
120	01125-50830	BOLT	1				0.01	0.022
130	08121-06000	BEARING BALL	1				0.02	0.044
140	04011-50100	WASHER PLAIN	1				0.002	0.0044
150	04612-00100	CIR CLIP EXTERNAL	1				0.001	0.0022
160	76611-43320	SPRING	1				0.067	0.1474
170	TA240-55180	BOLT ADJUSTING	1				0.02	0.044
180	99999-99999	BLANK	0				0	0
190	02114-50080	NUT	2				0.005	0.011
200	TA240-54720	DAMPER HST	1				0.28	0.616
210	99999-99999	BLANK	0				0	0
220	05122-50828	PIN JOINT	1				0.012	0.0264
230	04012-50080	WASHER PLAIN	1				0.001	0.0022
240	05511-50215	PIN SPLIT	2				0.001	0.0022
250	99999-99999	BLANK	0				0	0
260	TA240-55150	ROD	1				0.046	0.1012
270	45404-95770	END ROD	1				0.05	0.11
280	54721-31850	BALL LINK	1				0.065	0.143
290	37300-41330	NUT	1				0.005	0.011
300	02114-50080	NUT	1				0.005	0.011
310	02751-50080	NUT FLANGE	2				0.006	0.0132
320	TA240-59550	ASSY LEVER REGULATOR	1				0.05	0.11
330	01350-10520	BOLT HEX-SOC-HD	1				0.004	0.0088



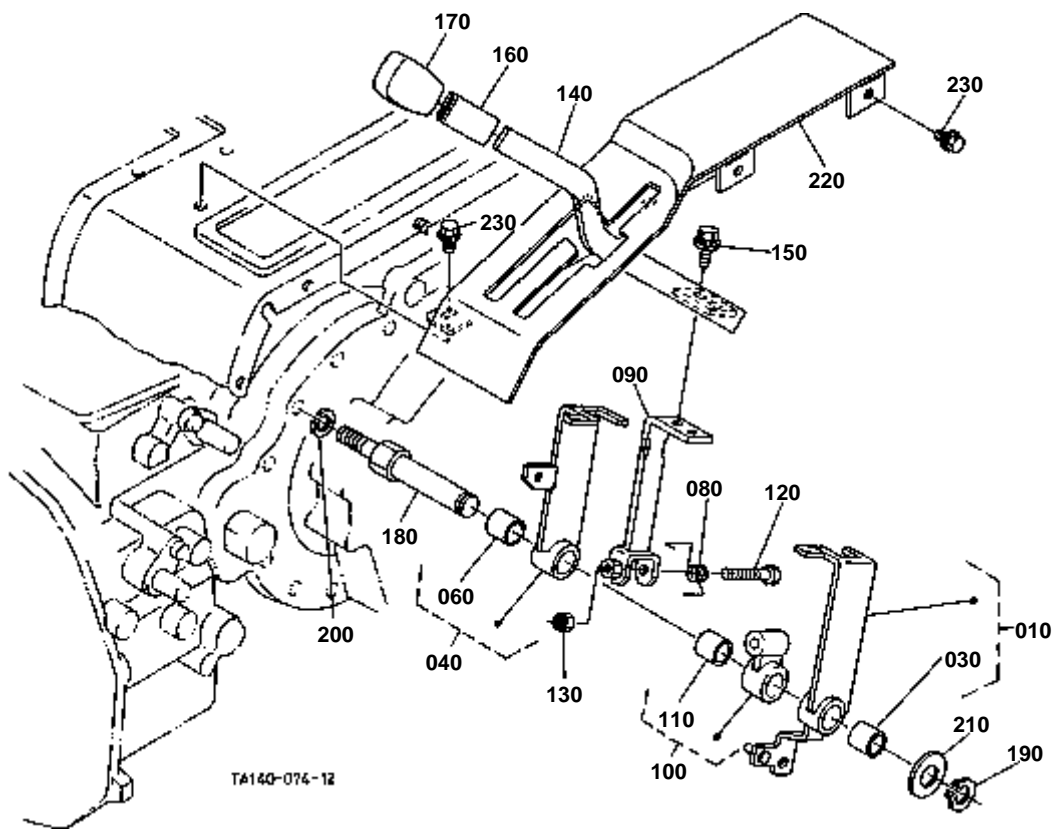
TA140-069-12



SPEED CONTROL PEDAL [HST TYPE] [ROPS TYPE]
[EXCEPTE TYPE CABINE]

↔ Interchangeable; ≠ not interchangeable; ← new for old; → old for new

REF.No	Part No.	Description	Q'ty	S.No.	I/C	REMARKS	Weight (kgf)	Weight (lb)
010	TA240-55160	ROD	1				0.04	0.088
020	45404-95770	END ROD	1				0.05	0.11
030	31351-24210	SCREW ROD-END LH	1				0.04	0.088
040	37300-41330	NUT	1				0.005	0.011
050	02114-50080	NUT	1				0.005	0.011
060	01754-50825	BOLT FLANGE	1				0.01	0.022
070	02751-50080	NUT FLANGE	2				0.006	0.0132
080	TA240-55100	ASSY PEDAL	1				0.81	1.782
090	TA240-55220	BUSH	2				0.001	0.0022
100	TA240-42560	COVER HST PEDAL	1				0.23	0.506
110	TA240-55200	ASSY BRACKET PEDAL	1				0.2	0.44
120	08511-01006	BUSH	2				0.008	0.0176
130	TA240-55130	PIN HST PEDAL	1				0.023	0.0506
140	04011-50100	WASHER PLAIN	1				0.002	0.0044
150	04612-00100	CIR CLIP EXTERNAL	1				0.001	0.0022
160	01123-50816	BOLT	2				0.011	0.0242
170	TA240-55320	BOLT FLANGE	2				0.021	0.0462
180	TA240-55330	NUT	2				0.009	0.0198



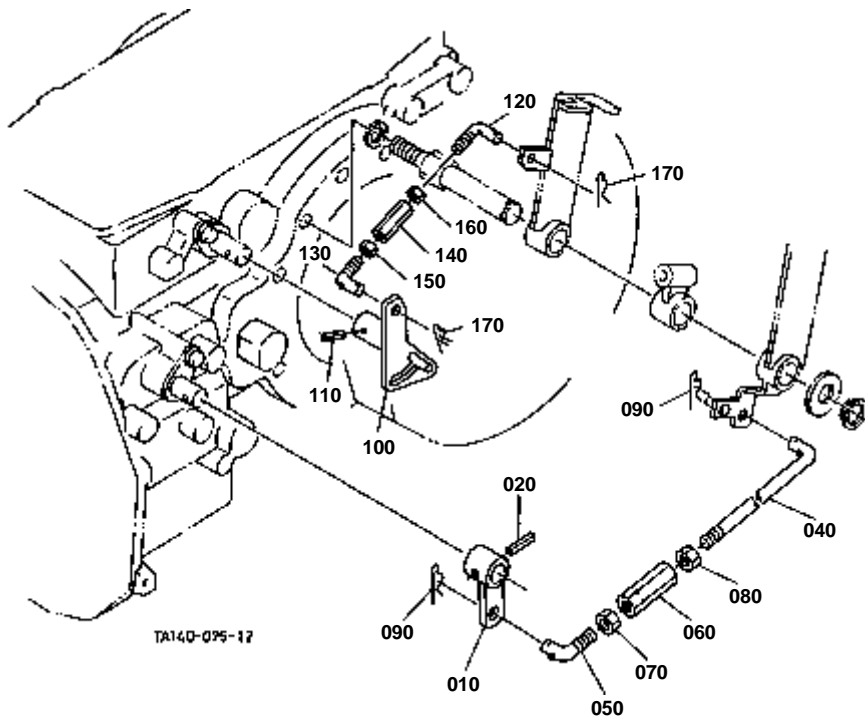


RANGE GEAR SHIFT LEVER [HST TYPE] [ROPS TYPE]
[EXCEPTE TYPE CABINE]

↔ Interchangeable; ≠ not interchangeable; ← new for old; → old for new

REF.No	Part No.	Description	Q'ty	S.No.	I/C	REMARKS	Weight (kgf)	Weight (lb)
010	TA240-54603	ASSY ARM	1				0.675	1.485
020	99999-99999	BLANK	0				0	0
030	08511-01825	BUSH	1				0.01	0.022
040	TA240-54680	ASSY ARM	1				0.435	0.957
050	99999-99999	BLANK	0				0	0
060	08511-01825	BUSH	1				0.01	0.022
070	99999-99999	BLANK	0				0	0
080	TA240-54670	SPRING	1				0.016	0.0352
090	TA240-54642	LEVER RANGE SHIFT	1				0.375	0.825
100	TA240-54752	ASSY HOLDER RANGE	1				0.15	0.33
110	08511-01825	BUSH	1				0.01	0.022
120	TA240-54660	BOLT	1				0.045	0.099
130	02156-50080	NUT	1				0.004	0.0088
140	TA240-54652	LEVER RANGE SHIFT	1				0.44	0.968
150	01135-61025	BOLT	2				0.04	0.088
160	6A100-18560	CUSHION	1				0.005	0.011
170	TA040-24490	GRIP LEVER	1				0.033	0.0726
180	TA040-24482	SHAFT FULCRUM	1				0.255	0.561
190	04612-00180	CIR CLIP EXTERNAL	1				0.001	0.0022
200	04512-60120	WASHER SPRING	1				0.005	0.011
210	04011-50180	WASHER PLAIN	1				0.012	0.0264
220	TA240-47102	GUIDE HST CAHNGE	1				0.995	2.189
230	01754-50812	BOLT FLANGE	4				0.01	0.022

RANGE GEAR SHIFT ROD [HST TYPE]



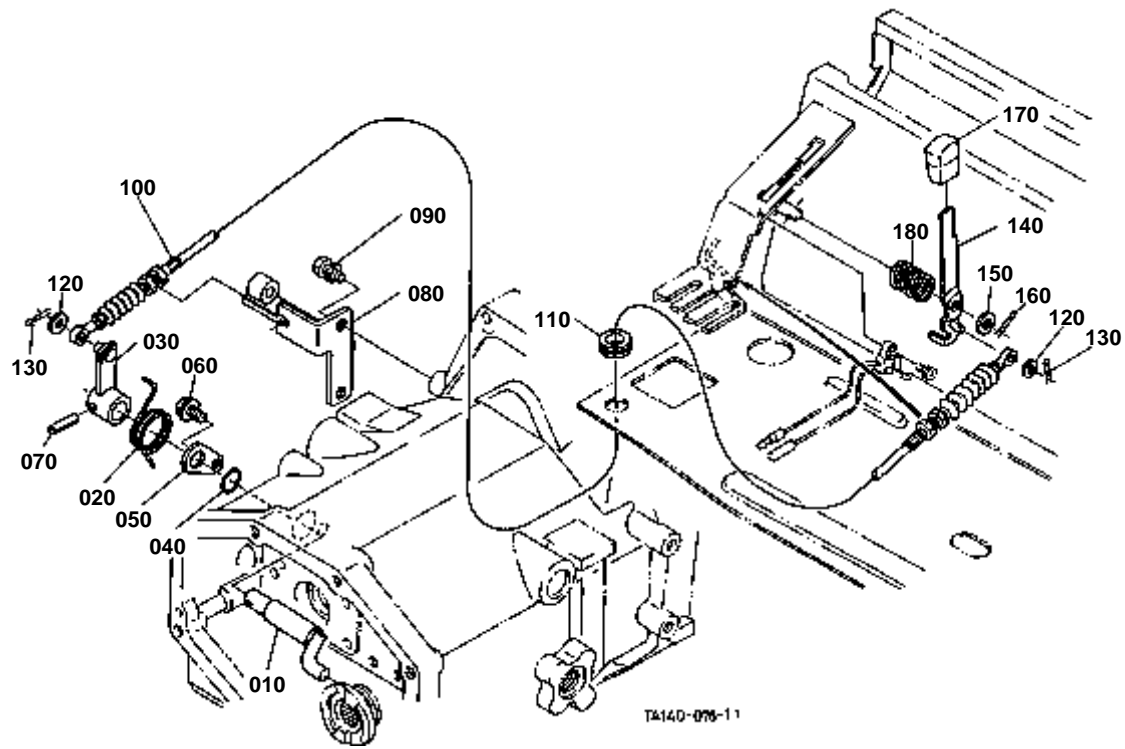


RANGE GEAR SHIFT ROD [HST TYPE]

↔ Interchangeable; ≠ not interchangeable; ← new for old; → old for new

REF.No	Part No.	Description	Q'ty	S.No.	I/C	REMARKS	Weight (kgf)	Weight (lb)
010	34070-24462	LEVER RANGE SHIFT	1				0.09	0.198
020	05411-00628	PIN SPRING	1				0.004	0.0088
030	99999-99999	BLANK	0				0	0
040	TA240-54472	ROD RANGE	1				0.072	0.1584
050	TA240-54592	ROD RANGE L	1				0.03	0.066
060	TA240-54480	TURNBUCKLE	1				0.031	0.0682
070	32350-28990	NUT	1				0.009	0.0198
080	02116-50100	NUT	1				0.004	0.0088
090	05515-61000	PIN SNAP	2				0.003	0.0066
100	TA240-54562	LEVER RANGE SHIFT	1				0.305	0.671
110	05411-00628	PIN SPRING	1				0.004	0.0088
120	TA240-54582	ROD RANGE R	1				0.03	0.066
130	TA240-54592	ROD RANGE L	1				0.03	0.066
140	TA240-54480	TURNBUCKLE	1				0.031	0.0682
150	32350-28990	NUT	1				0.009	0.0198
160	02116-50100	NUT	1				0.004	0.0088
170	05515-61000	PIN SNAP	2				0.003	0.0066

PTO GEAR SHIFT LEVER [HST TYPE]



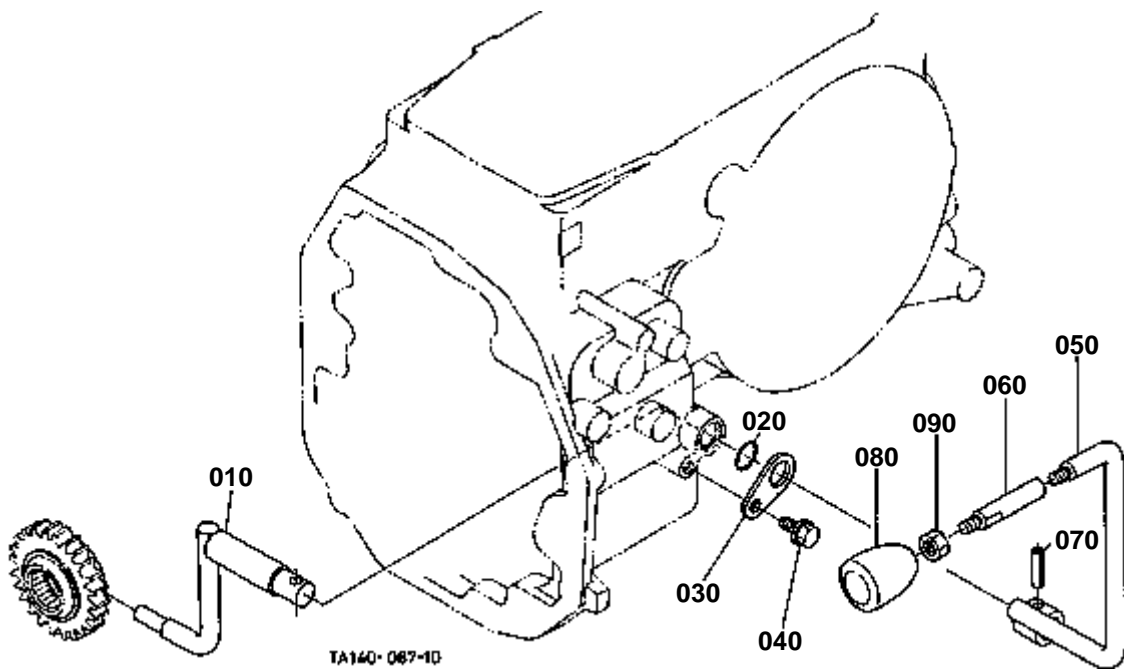


PTO GEAR SHIFT LEVER [HST TYPE]

↔ Interchangeable; ≠ not interchangeable; ← new for old; → old for new

REF.No	Part No.	Description	Q'ty	S.No.	I/C	REMARKS	Weight (kgf)	Weight (lb)
010	TA240-24600	ARM PTO SHIFT	1				0.22	0.484
020	TA040-24610	SPRING	1				0.029	0.0638
030	TA040-24620	LEVER PTO	1				0.08	0.176
040	04811-00200	O RING	1				0.001	0.0022
040	04816-00200	O RING	1		←		0.003	0.0066
050	34070-24350	STOPPER	1				0.02	0.044
060	01754-50812	BOLT FLANGE	1				0.01	0.022
070	05411-00628	PIN SPRING	1				0.004	0.0088
080	TA240-24663	STAY WIRE	1				0.315	0.693
090	01133-51020	BOLT	2				0.02	0.044
100	TA140-24650	WIRE PTO	1				0.14	0.308
110	53226-54390	GROMMET	1				0.004	0.0088
120	04012-50060	WASHER PLAIN	2				0.001	0.0022
130	05511-51612	PIN SPLIT	2				0.001	0.0022
140	TA040-69710	LEVER I-PTO	1				0.053	0.1166
150	04013-60080	WASHER PLAIN	1				0.002	0.0044
160	05511-50215	PIN SPLIT	1				0.001	0.0022
170	36919-27820	GRIP PTO LEVER	1				0.015	0.033
180	33251-29630	SPRING	1				0.013	0.0286

FRONT WHEEL DRIVE LEVER



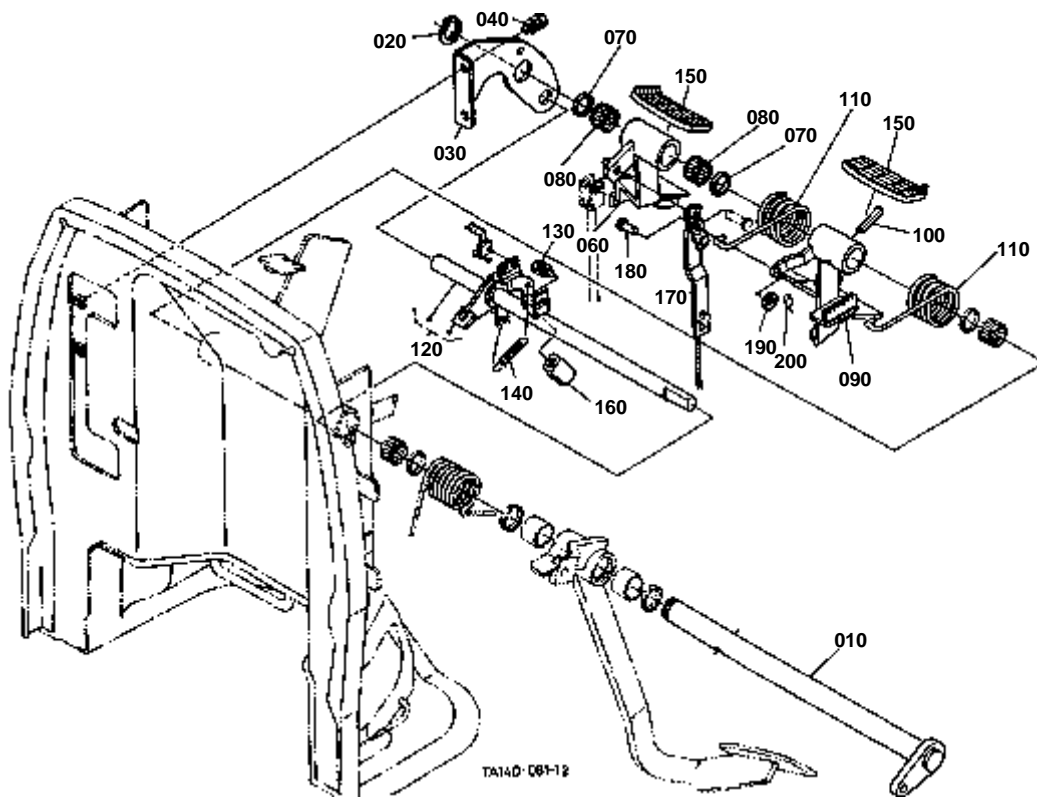


FRONT WHEEL DRIVE LEVER

↔ Interchangeable; ≠ not interchangeable; ← new for old; → old for new

REF.No	Part No.	Description	Q'ty	S.No.	I/C	REMARKS	Weight (kgf)	Weight (lb)
010	TA040-15180	LEVER SHIFT	1				0.405	0.891
020	04811-00200	O RING	1				0.001	0.0022
020	04816-00200	O RING	1		←		0.003	0.0066
030	34070-24350	STOPPER	1				0.02	0.044
040	01754-50812	BOLT FLANGE	1				0.01	0.022
050	TA140-15470	LEVER 4WD CHANGE	1	≤73000			0.505	1.111
050	TA140-15473	LEVER 4WD CHANGE	1	≥73001	←		0.505	1.111
060	TA140-15490	LEVER 4WD CHANGE	1				0.086	0.1892
070	05411-00630	PIN SPRING	1				0.004	0.0088
080	TA040-15480	GRIP LEVER	1				0.053	0.1166
090	02116-50100	NUT	1				0.004	0.0088

BRAKE PEDAL [HST TYPE] [ROPS TYPE]

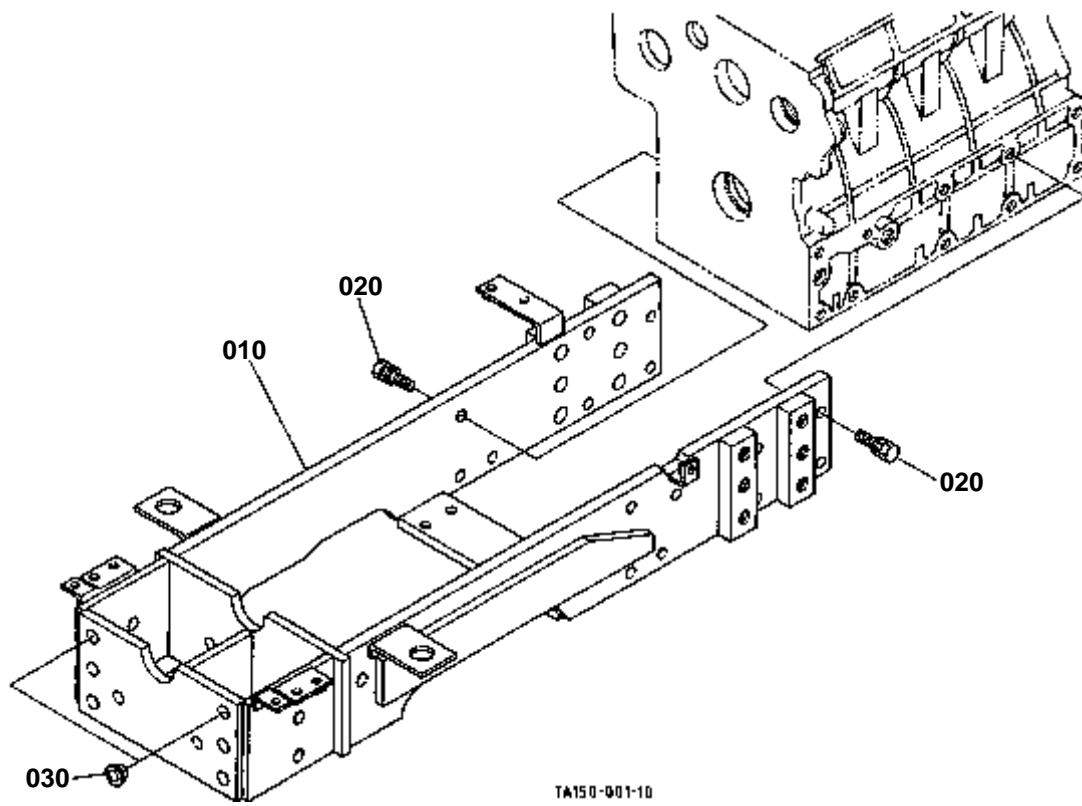


**BRAKE PEDAL [HST TYPE] [ROPS TYPE]**

↔ Interchangeable; ≠ not interchangeable; ← new for old; → old for new

REF.No	Part No.	Description	Q'ty	S.No.	I/C	REMARKS	Weight (kgf)	Weight (lb)
010	34070-44010	SHAFT PEDAL	1				1.81	3.982
020	04612-00250	CIR CLIP EXTERNAL	1				0.002	0.0044
030	34070-44073	SUPPORT PEDAL SHAFT	1				0.255	0.561
040	01123-50816	BOLT	2				0.011	0.0242
050	99999-99999	BLANK	0				0	0
060	TA240-44100	ASSY PEDAL BRAKE RH	1				1.25	2.75
070	34070-44140	SEAL OIL	2				0.005	0.011
080	34070-44360	BEARING NEEDLE	2				0.012	0.0264
090	TA240-44110	PEDAL BRAKE LH	1				1.2	2.64
100	05411-00840	PIN SPRING	1				0.008	0.0176
110	34070-44170	SPRING	2				0.08	0.176
120	TA140-44000	COMP.LOCK PARKING	1				1.005	2.211
130	01123-50816	BOLT	1				0.011	0.0242
140	36330-83420	SPRING LOCK	1				0.006	0.0132
150	37410-44120	COVER PEDAL	2				0.08	0.176
160	TA140-43560	GRIP	1				0.022	0.0484
170	TA240-43342	ASSY LINK	1				0.105	0.231
180	05122-50816	PIN JOINT	1				0.007	0.0154
190	04012-50080	WASHER PLAIN	1				0.001	0.0022
200	05525-50800	PIN SNAP	1				0.001	0.0022

FRONT AXLE FRAME



TA150-001-10

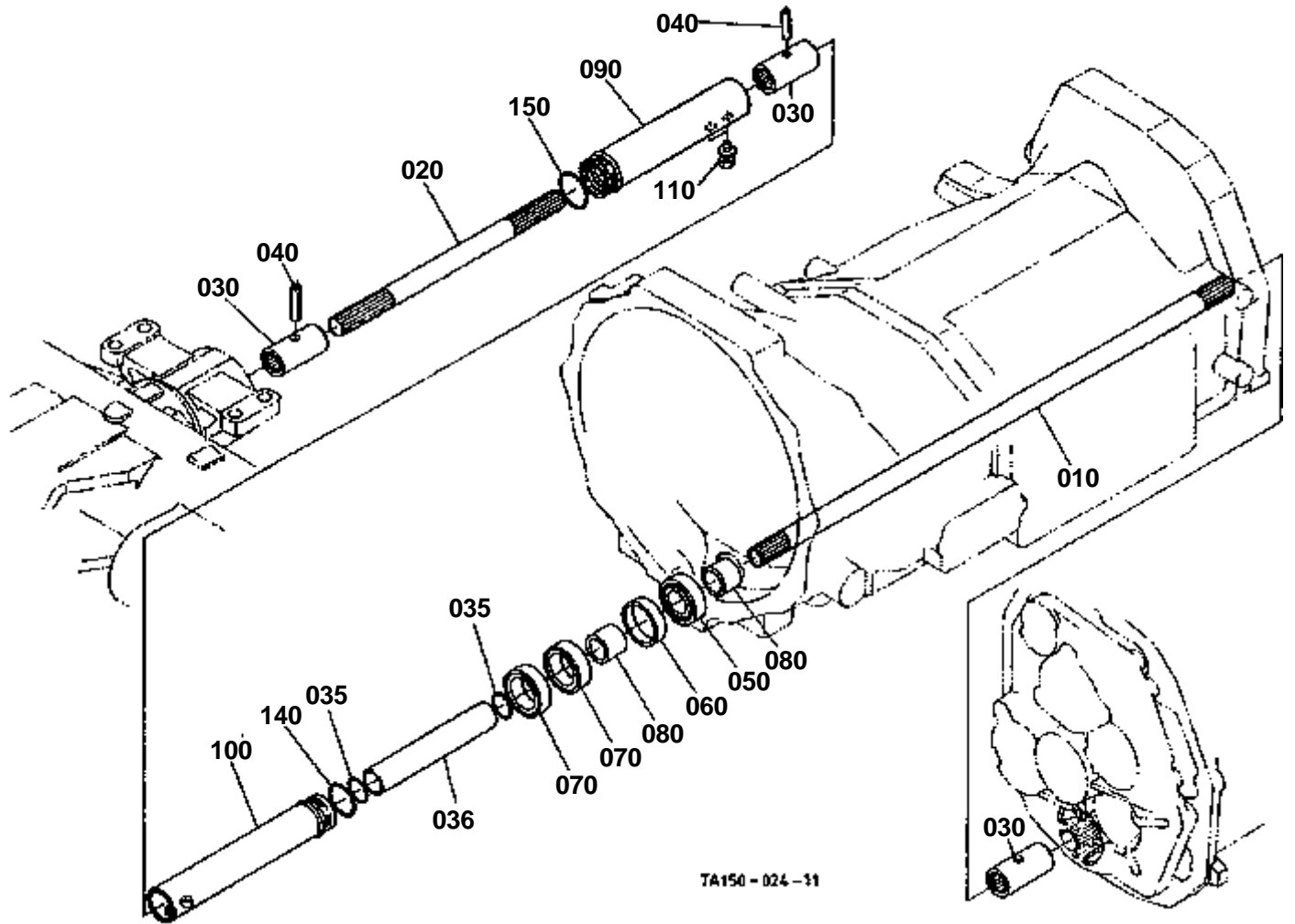


FRONT AXLE FRAME

↔ Interchangeable; ≠ not interchangeable; ← new for old; → old for new

REF.No	Part No.	Description	Q'ty	S.No.	I/C	REMARKS	Weight (kgf)	Weight (lb)
010	TA150-14000	COMP.FRAME F-AXLE	1	<=73371			39	85.8
010	TA150-14003	COMP.FRAME F-AXLE	1	>=73372	←		39	85.8
020	01138-51235	BOLT	15				0.21	0.462
030	33300-90910	PLUG	12				0.002	0.0044

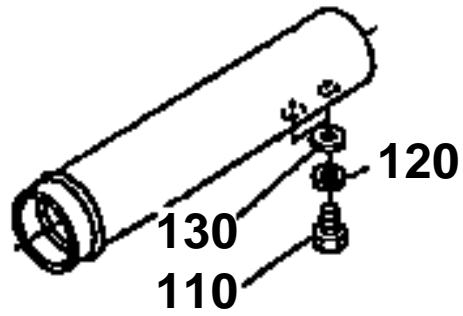
PROPELLER SHAFT



110 01053-50510

120 04512-60050

130 04012-50050



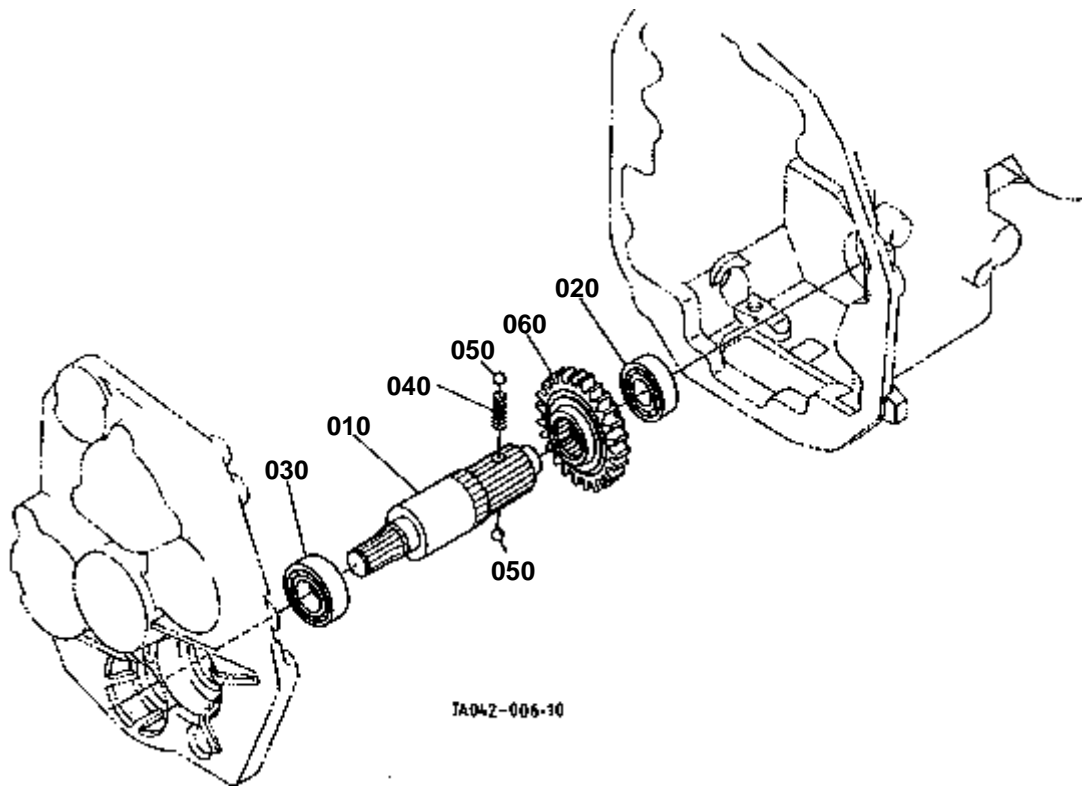
TA120-834-10

**PROPELLER SHAFT**

↔ Interchangeable; ≠ not interchangeable; ← new for old; → old for new

REF.No	Part No.	Description	Q'ty	S.No.	I/C	REMARKS	Weight (kgf)	Weight (lb)
010	TA040-14640	SHAFT PROPELLER	1				1.9	4.18
020	TA040-14633	SHAFT PROPELLER	1				0.79	1.738
030	T0070-14710	COUPLING	3				0.16	0.352
035	TA040-82180	O RING	2				0.001	0.0022
036	TA040-14720	SPACER	1				0.21	0.462
040	05411-00430	PIN SPRING	2				0.002	0.0044
050	08101-06904	BEARING BALL	1				0.02	0.044
060	34070-14650	COLLAR	1				0.01	0.022
070	09500-25388	SEAL OIL	2				0.01	0.022
080	53582-53520	SLEEVE	2				0.015	0.033
090	TA150-14570	COVER SHAFT FRONT	1				0.245	0.539
100	TA150-14580	COVER SHAFT REAR	1				0.26	0.572
110	01053-50510	BOLT	2	≤72866			0.002	0.0044
110	TC050-14590	BOLT	2	≥72867	←		0	0
120	04512-60050	WASHER SPRING	2	≤72866			0.002	0.0044
130	04012-50050	WASHER PLAIN	2	≤72866			0.001	0.0022
140	04811-06330	O RING	1				0.001	0.0022
140	04817-06330	O RING	1		←		0	0
150	04811-10360	O RING	1				0.001	0.0022

FRONT WHEEL DRIVE SHAFT





FRONT WHEEL DRIVE SHAFT

↔ Interchangeable; ≠ not interchangeable; ← new for old; → old for new

REF.No	Part No.	Description	Q'ty	S.No.	I/C	REMARKS	Weight (kgf)	Weight (lb)
010	TA040-15220	SHAFT DRIVE	1				1.125	2.475
020	34070-22560	BEARING BALL	1				0.1	0.22
030	37410-57190	BEARING BALL	1				0.14	0.308
040	35260-24110	SPRING	1				0.02	0.044
050	07715-01605	BALL	2				0.003	0.0066
060	TA040-15170	GEAR 4WD SHIFT	1			24T	0.625	1.375

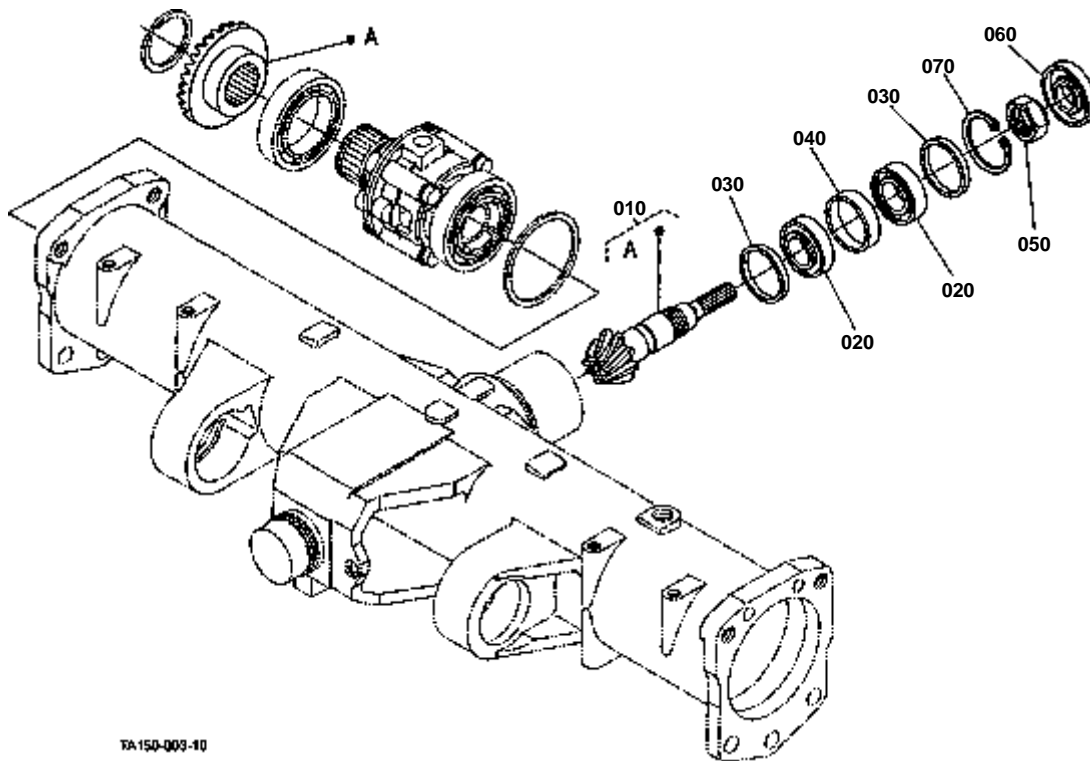


FRONT DIFFERENTIAL CASE

↔ Interchangeable; ≠ not interchangeable; ← new for old; → old for new

REF.No	Part No.	Description	Q'ty	S.No.	I/C	REMARKS	Weight (kgf)	Weight (lb)
010	TA150-12000	CASE FRONT AXLE	1				0	0
020	16851-96010	PLUG	1				0.015	0.033
030	06331-35020	PLUG	1				0.068	0.1496
040	04724-00200	GASKET	1				0.003	0.0066
050	04811-00490	O RING	1				0.002	0.0044
050	04817-00490	O RING	1		←		0	0
060	04811-50800	O RING	1				0.003	0.0066
070	TA150-13500	ASSY HOLDER FRONT	1				2.2	4.84
080	3A021-41680	BUSH	1				0.062	0.1364
090	06611-15010	NIPPLE GREASE	1				0.01	0.022
100	06312-10010	PLUG	1				0.007	0.0154
110	37410-56180	COLLAR THRUST	1				0.07	0.154
120	TA150-13600	ASSY HOLDER REAR	1				3.1	6.82
130	3A021-41690	BUSH	1				0.24	0.528
140	06611-15010	NIPPLE GREASE	1				0.01	0.022
150	01574-61235	STUD	4				0.04	0.088
160	04512-60120	WASHER SPRING	4				0.005	0.011
170	02176-50120	NUT	4				0.01	0.022
180	01133-51235	BOLT	4				0.05	0.11
190	01175-51645	BOLT	1				0.09	0.198
200	34070-13620	COLLAR THRUST	1				0.05	0.11
210	32580-44580	NUT	1				0.1	0.22
220	38440-44750	WASHER SEAL	1				0.003	0.0066

BEVEL GEAR (FRONT)



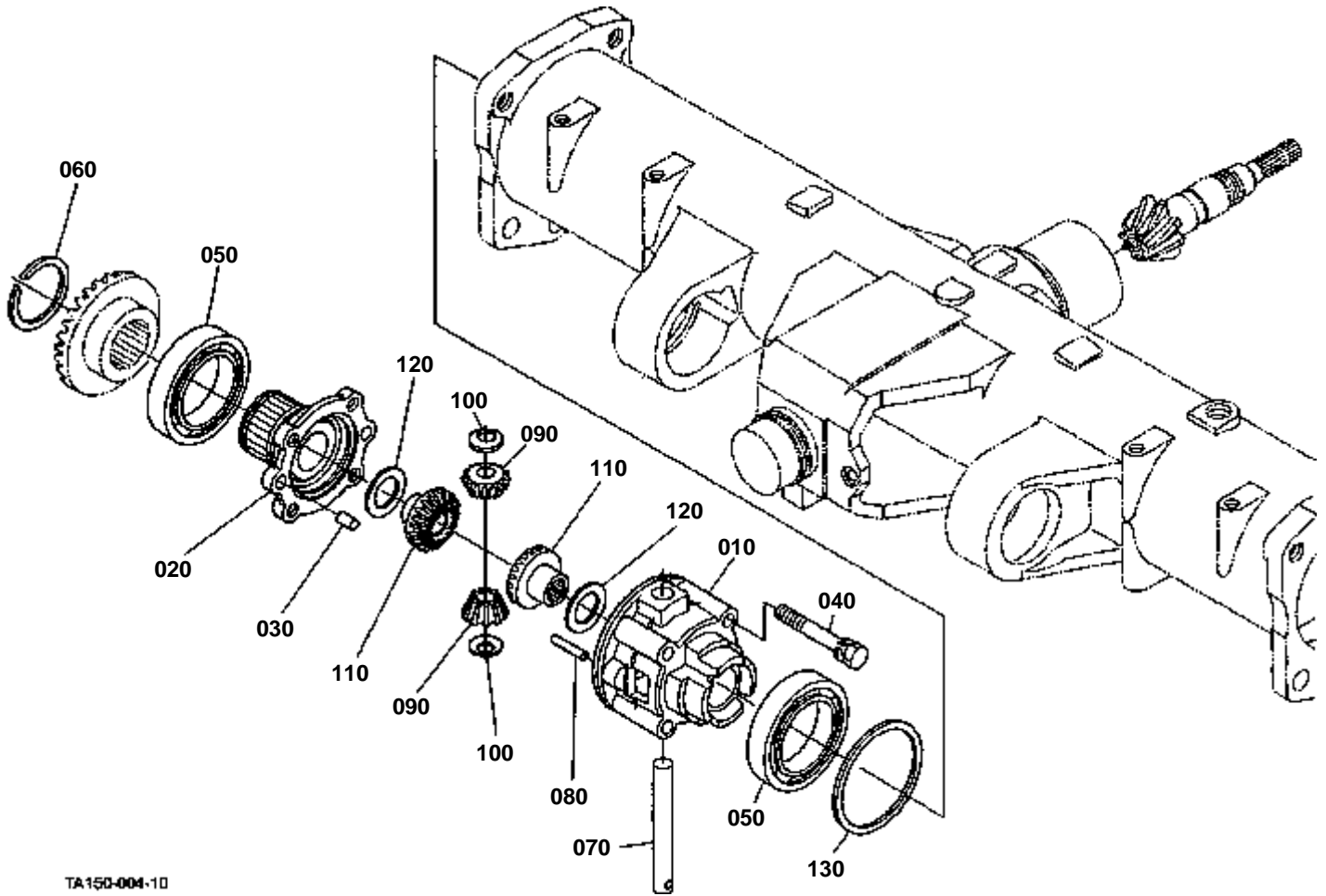
TA150-003-10

**BEVEL GEAR (FRONT)**

↔ Interchangeable; ≠ not interchangeable; ← new for old; → old for new

REF.No	Part No.	Description	Q'ty	S.No.	I/C	REMARKS	Weight (kgf)	Weight (lb)
010	TA150-12010	ASSY GEAR BEVEL	1	↔=73628			1.9	4.18
010	TC050-12010	ASSY GEAR BEVEL	1	≥=73629	←		0	0
020	34070-12200	BEARING TAPER-ROLLER	2				0.305	0.671
030	3A021-43010	COLLAR	2	↔=70015		5.8mm	0	0
030	3A221-43010	COLLAR	2	≥=70016	←	5.8mm	0.01	0.022
030	3A021-43020	COLLAR	2	↔=70015		5.9mm	0.012	0.0264
030	3A221-43020	COLLAR	2	≥=70016	←	5.9mm	0.01	0.022
030	3A021-43030	COLLAR	2	↔=70015		6.0mm	0	0
030	3A221-43030	COLLAR	2	≥=70016	←	6.0mm	0.015	0.033
030	3A021-43040	COLLAR	2	↔=70015		6.1mm	0	0
030	3A221-43040	COLLAR	2	≥=70016	←	6.1mm	0.01	0.022
030	3A021-43050	COLLAR	2	↔=70015		6.2mm	0.013	0.0286
030	3A221-43050	COLLAR	2	≥=70016	←	6.2mm	0.01	0.022
030	3A021-43070	COLLAR	2	↔=70015		6.4mm	0.017	0.0374
030	3A221-43070	COLLAR	2	≥=70016	←	6.4mm	0	0
030	3A021-43080	COLLAR	2	↔=70015		6.6mm	0.017	0.0374
030	3A021-43090	COLLAR	2	↔=70015		6.8mm	0.017	0.0374
040	34070-12130	COLLAR	1	↔=70015		9.8mm	0.03	0.066
040	34070-12140	COLLAR	1	↔=70015		9.9mm	0.02	0.044
040	34070-12150	COLLAR	1	↔=70015		10.0mm	0	0
040	3A221-43100	COLLAR	1	≥=70016	←	10.0mm	0.025	0.055
040	34070-12160	COLLAR	1	↔=70015		10.1mm	0.03	0.066
040	34070-12170	COLLAR	1	↔=70015		10.2mm	0.03	0.066
050	3A021-41300	NUT	1				0.044	0.0968
060	3A021-44120	SEAL OIL	1				0.032	0.0704
070	04611-00580	CIR CLIP INTERNAL	1				0.005	0.011

DIFFERENTIAL(FRONT)



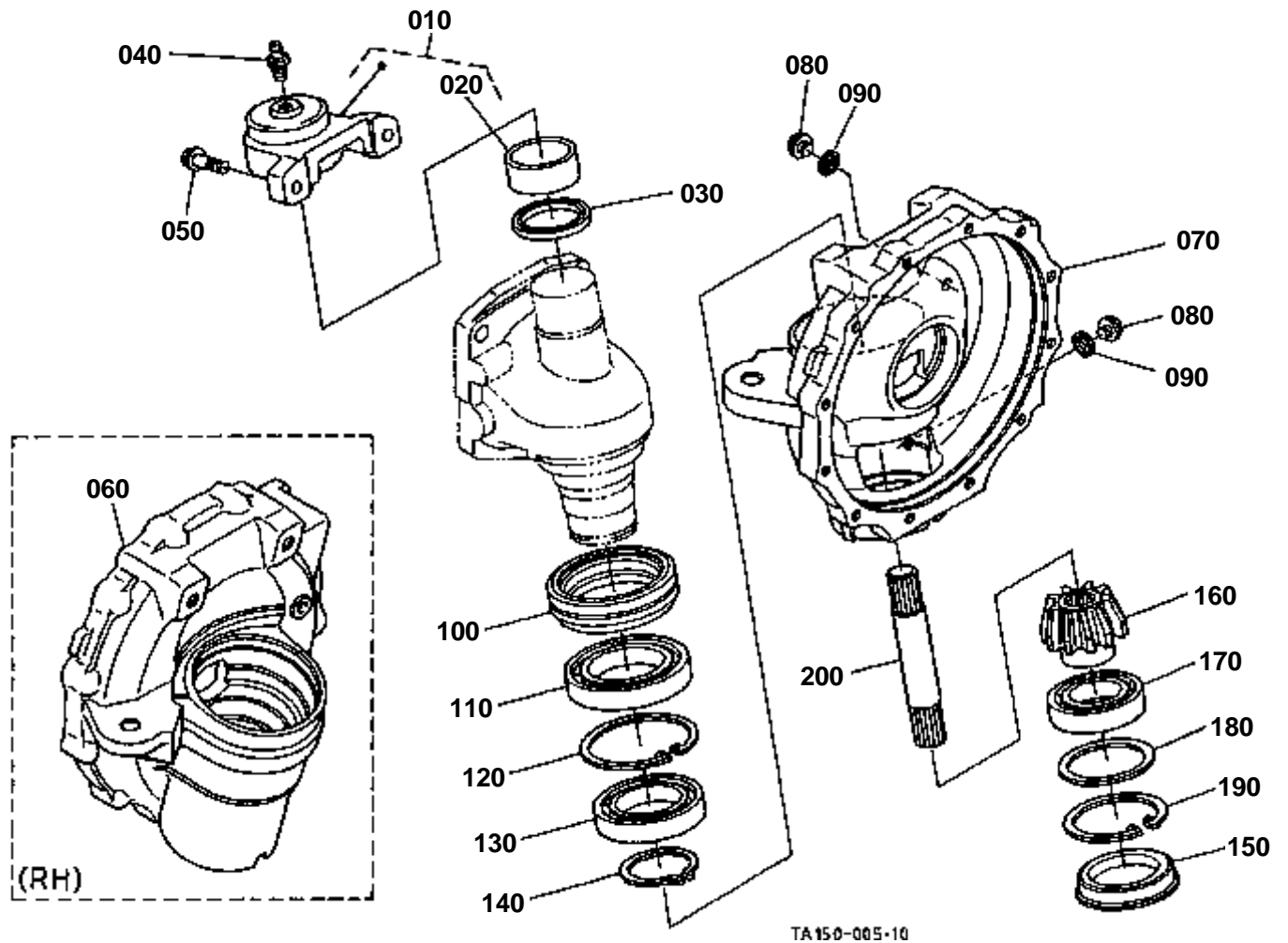
TA150-004-10

**DIFFERENTIAL(FRONT)**

↔ Interchangeable; ≠ not interchangeable; ← new for old; → old for new

REF.No	Part No.	Description	Q'ty	S.No.	I/C	REMARKS	Weight (kgf)	Weight (lb)
010	3A021-43120	CASE DIFF.	1				1.9	4.18
020	3A021-42410	CASE DIFF.	1				0.99	2.178
030	31353-43413	PIN STRAIGHT	2				0.01	0.022
040	01138-51075	BOLT	4				0.245	0.539
050	3A021-43330	BEARING BALL	2				0.77	1.694
060	34070-12280	CIR CLIP EXTERNAL	1				0.005	0.011
070	31353-43330	SHAFT PINION	1				0.13	0.286
080	05012-00628	PIN STRAIGHT	1				0.006	0.0132
090	31353-43343	PINION DIFF.	2			12T	0.1	0.22
100	67121-56670	COLLAR PINION THRUST	2				0.006	0.0132
110	3A021-43140	GEAR DIFF.SIDE	2			24T	0.22	0.484
120	67211-15160	SHIM	2			1.0mm	0.01	0.022
120	67211-15170	SHIM	2			0.8mm	0.008	0.0176
120	67211-15180	SHIM	2			1.2mm	0.01	0.022
120	31353-43360	SHIM	2			0.6mm	0.01	0.022
120	31353-43370	SHIM	2			0.4mm	0.01	0.022
130	34070-12300	SHIM	1			1.6mm	0.02	0.044
130	34070-12310	SHIM	1			1.8mm	0.03	0.066
130	34070-12320	SHIM	1			2.0mm	0.03	0.066
130	34070-12330	SHIM	1			2.2mm	0.03	0.066
130	34070-12340	SHIM	1			2.4mm	0.035	0.077

FRONT AXLE CASE



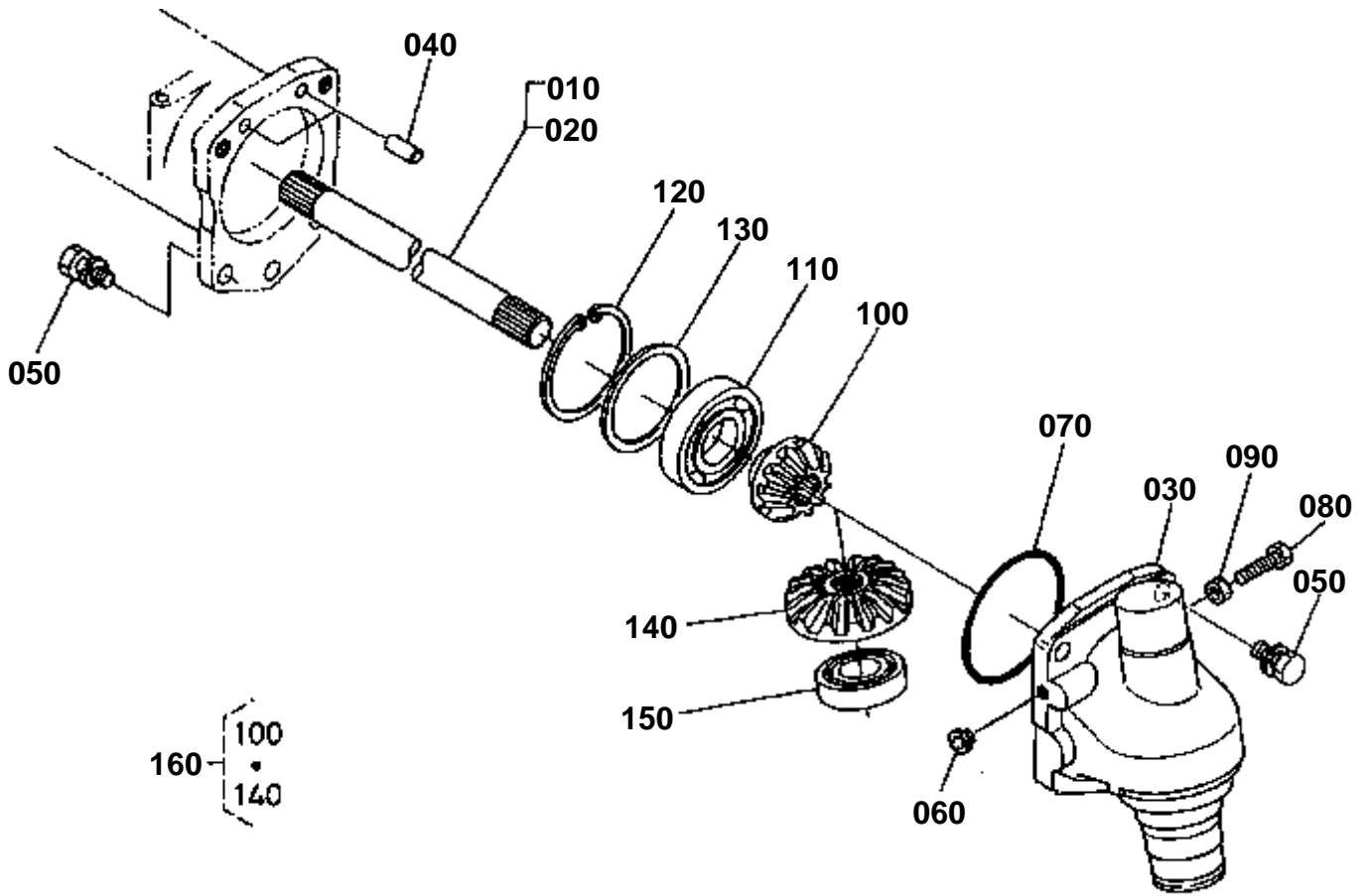


FRONT AXLE CASE

↔ Interchangeable; ≠ not interchangeable; ← new for old; → old for new

REF.No	Part No.	Description	Q'ty	S.No.	I/C	REMARKS	Weight (kgf)	Weight (lb)
010	3A021-43300	ASSY SUPPORT CASE	2				1.11	2.442
020	3A021-43370	BUSH	2				0.1	0.22
030	3A021-43350	SEAL OIL	2				0.017	0.0374
040	06611-15010	NIPPLE GREASE	2				0.01	0.022
050	32701-52930	BOLT UBS	4				0.05	0.11
060	3A022-43642	CASE FRONT GEAR RH	1	<=60009			0	0
060	3A022-43643	CASE FRONT GEAR RH	1	>=70001	←		12.3	27.06
070	3A022-43632	CASE FRONT GEAR LH	1	<=60009			0	0
070	3A022-43633	CASE FRONT GEAR LH	1	>=70001	←		12.3	27.06
080	06331-45010	PLUG	4				0.02	0.044
090	04717-01000	WASHER WITH RUBBER	4				0.001	0.0022
100	TA140-13040	SEAL OIL	2				0.155	0.341
110	08101-06014	BEARING BALL	2				0.6	1.32
120	04611-00950	CIR CLIP INTERNAL	2				0.05	0.11
130	08101-06012	BEARING BALL	2				0.41	0.902
140	04612-00600	CIR CLIP EXTERNAL	2				0.012	0.0264
150	34550-13100	PLUG	2				0.11	0.242
160	3A022-43520	GEAR BEVEL	2			9T	0.605	1.331
170	32580-43550	BEARING BALL	2				0.4	0.88
180	34550-12590	SHIM	2			1.0mm	0.005	0.011
180	34550-12600	SHIM	2			1.2mm	0.018	0.0396
180	34550-12620	SHIM	2			1.6mm	0.025	0.055
180	34550-12630	SHIM	2			1.8mm	0.025	0.055
180	34550-12640	SHIM	2			2.0mm	0.03	0.066
190	04611-00850	CIR CLIP INTERNAL	2				0.029	0.0638
200	3A021-43410	SHAFT BEVEL GEAR	2				0.735	1.617

DIFFERENTIAL GEAR SHAFT



TA15D-093-11

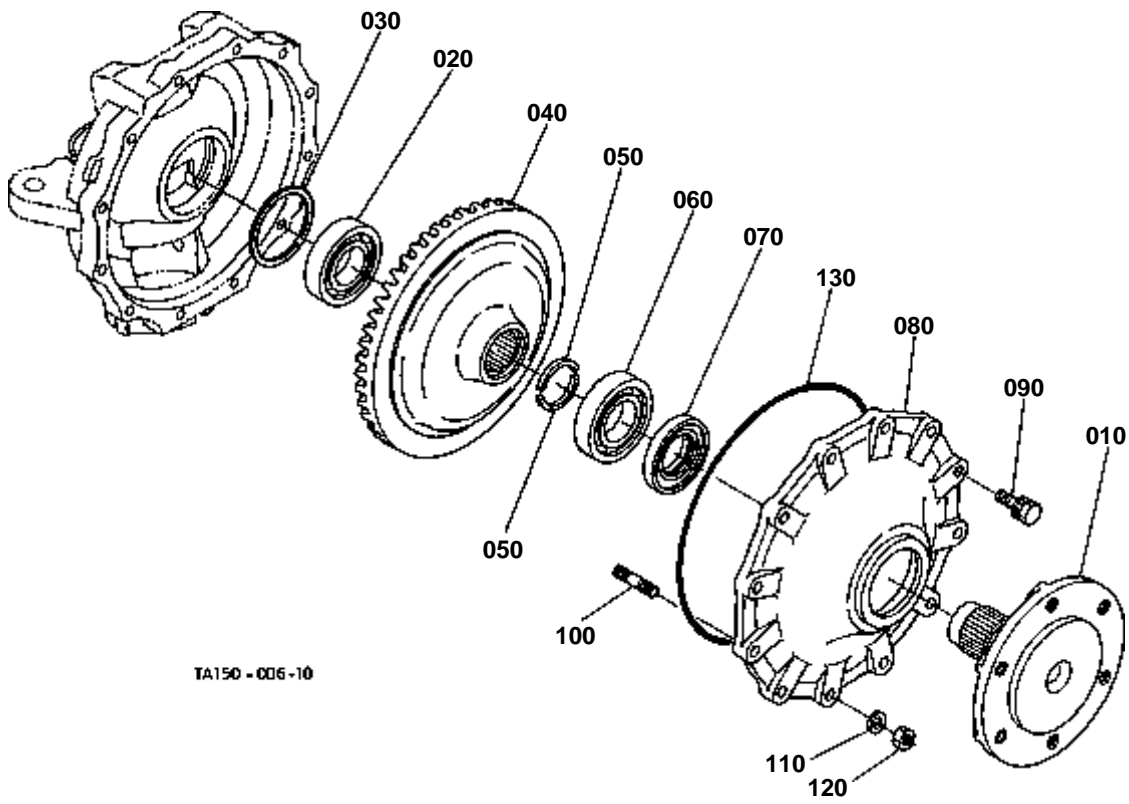


DIFFERENTIAL GEAR SHAFT

↔ Interchangeable; ≠ not interchangeable; ← new for old; → old for new

REF.No	Part No.	Description	Q'ty	S.No.	I/C	REMARKS	Weight (kgf)	Weight (lb)
010	TA150-12450	SHAFT YOKE RH	1			(RH)	1.46	3.212
020	TA150-12460	SHAFT YOKE LH	1			(LH)	2.23	4.906
030	3A021-43610	CASE BEVEL GEAR	2				5.85	12.87
040	31353-43880	PIN STRAIGHT	4				0.02	0.044
050	01138-51440	BOLT	10				0.35	0.77
060	34150-27580	PLUG	2				0.001	0.0022
070	04811-11050	O RING	2				0.002	0.0044
080	01173-51030	BOLT	2				0.023	0.0506
090	02176-50100	NUT	2				0.005	0.011
100	TA150-12520	GEAR BEVEL	2			10T	0.61	1.342
110	08101-06308	BEARING BALL	2				0.63	1.386
120	04611-00900	CIR CLIP INTERNAL	2				0.031	0.0682
130	3A021-44020	SHIM	2			0.4mm	0.006	0.0132
130	3A021-44030	SHIM	2			0.6mm	0.009	0.0198
130	3A021-44040	SHIM	2			0.8mm	0.011	0.0242
130	3A021-44050	SHIM	2			1.0mm	0.014	0.0308
130	3A021-44060	SHIM	2			1.2mm	0.016	0.0352
140	TA150-12530	GEAR BEVEL	2			14T	0.805	1.771
150	35523-34430	BEARING BALL	2				0.275	0.605

FRONT AXLE



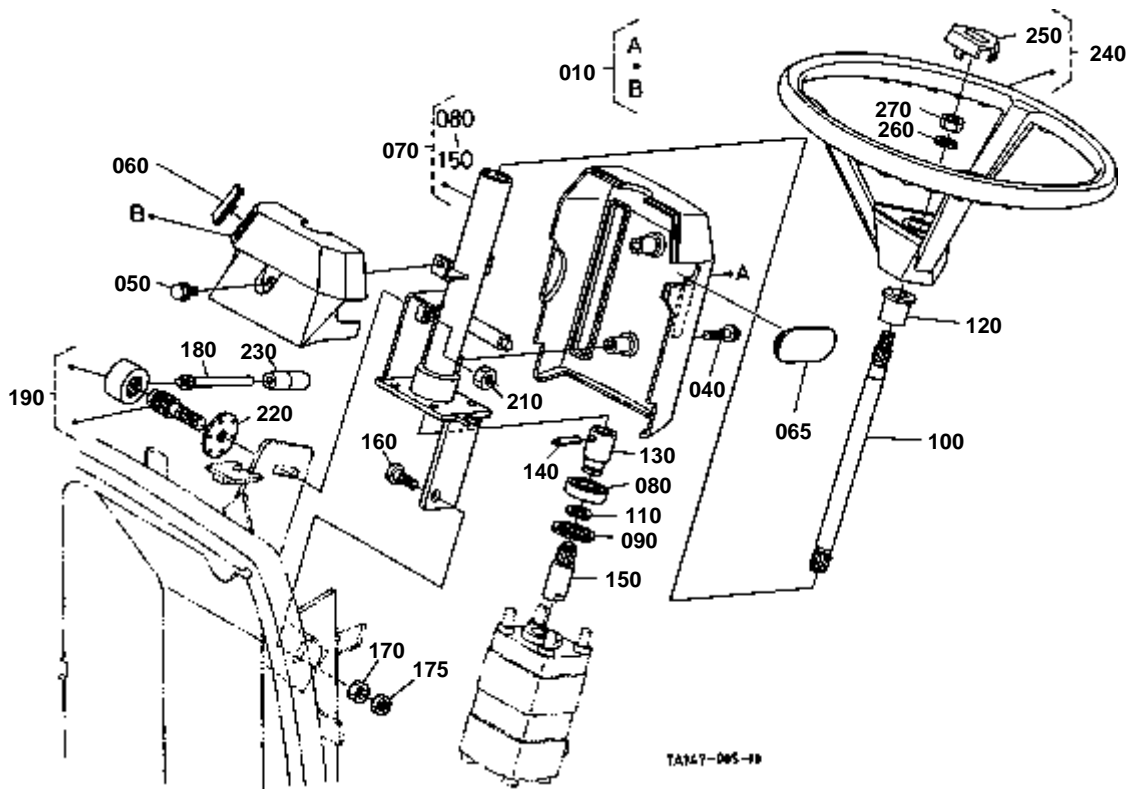
TA150-006-10

**FRONT AXLE**

↔ Interchangeable; ≠ not interchangeable; ← new for old; → old for new

REF.No	Part No.	Description	Q'ty	S.No.	I/C	REMARKS	Weight (kgf)	Weight (lb)
010	34550-13330	AXLE FRONT	2				3.75	8.25
020	08101-06208	BEARING BALL	2				0.355	0.781
030	35533-43010	SHIM	2			0.1mm	0.002	0.0044
030	35533-43020	SHIM	2			0.2mm	0.003	0.0066
040	3A022-43720	GEAR BEVEL	2			43T	8.9	19.58
050	34550-13350	COLLAR	4				0.01	0.022
060	3A021-43360	BEARING BALL	2				0.41	0.902
070	31393-43530	SEAL OIL	2				0.105	0.231
080	3A021-43623	COVER FRONT AXLE	2				6.6	14.52
090	01128-50830	BOLT	20				0.04	0.088
100	36530-24920	STUD	4				0.012	0.0264
110	04512-60080	WASHER SPRING	4				0.002	0.0044
120	02156-50080	NUT	4				0.004	0.0088
130	34550-13152	O RING	2				0.015	0.033

STEERING HANDLE [HST TYPE] [ROPS TYPE]

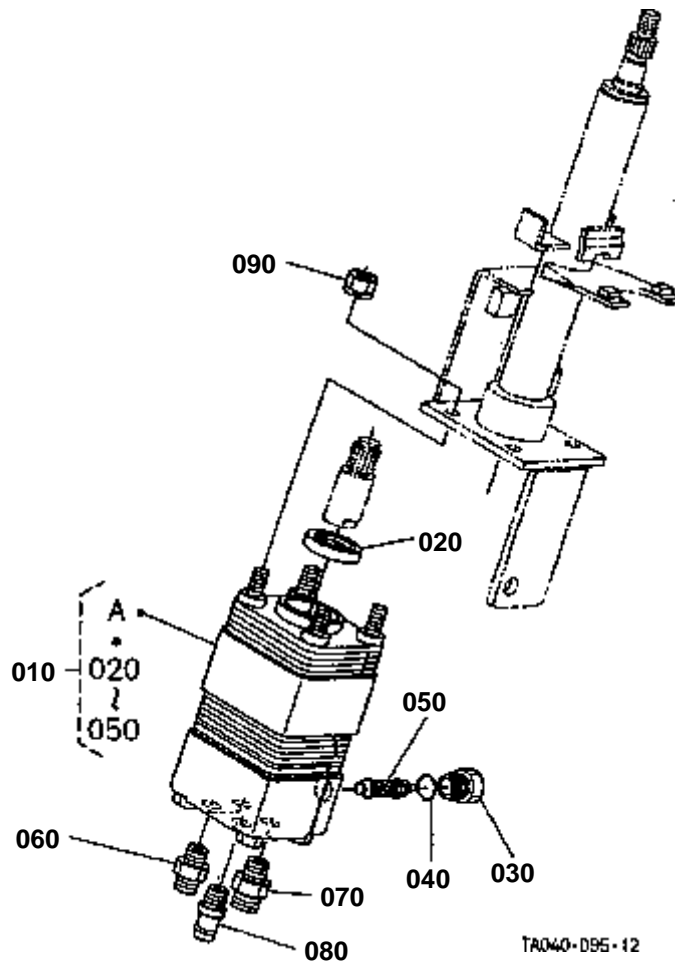




STEERING HANDLE [HST TYPE] [ROPS TYPE]
[EXCEPTE TYPE CABINE]

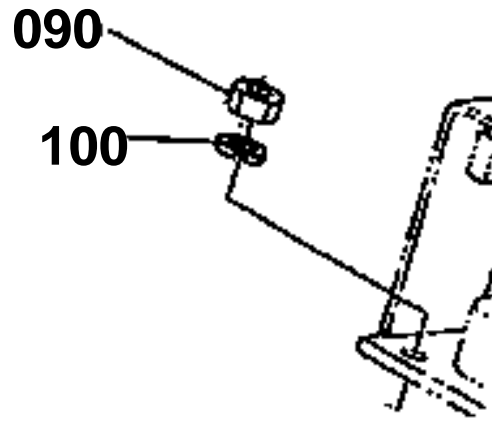
↔ Interchangeable; ≠ not interchangeable; ← new for old; → old for new

REF.No	Part No.	Description	Q'ty	S.No.	I/C	REMARKS	Weight (kgf)	Weight (lb)
010	TA240-43100	COVER STEERING POST	1				0.205	0.451
020	99999-99999	BLANK	0				0	0
030	99999-99999	BLANK	0				0	0
040	34070-43110	BOLT FLANGE	2				0.02	0.044
050	30400-18870	BOLT FLANGE	1				0.01	0.022
060	34070-43140	COVER HANDLE POST	1				0.005	0.011
065	TA240-43150	COVER SHUTTLE	1				0.015	0.033
070	TA240-43600	ASSY POST STEERING	1				1.725	3.795
080	08121-06004	BEARING BALL	1				0.075	0.165
090	04611-00420	CIR CLIP INTERNAL	1				0.006	0.0132
100	TA040-43680	SHAFT STEERING	1				0.4	0.88
110	36919-30040	CIR-CLIP	1				0.001	0.0022
120	37410-41340	BUSH POST	1				0.015	0.033
130	34550-43690	COUPLING STEERING	1				0.103	0.2266
140	05411-00425	PIN SPRING	1				0.001	0.0022
150	35080-40170	SHAFT JOINT	1				0.11	0.242
160	34070-43670	BOLT	1				0.02	0.044
170	02114-50080	NUT	1				0.005	0.011
175	02112-50080	NUT	1				0.003	0.0066
180	34070-43720	LEVER TILT	1				0.065	0.143
190	34550-43750	ASSY SHAFT SCREW	1				0.23	0.506
200	99999-99999	BLANK	0				0	0
210	02172-50120	NUT	1				0.01	0.022
220	34070-43640	HOLDER TILT	1				0.03	0.066
230	61023-41630	GRIP	1				0.015	0.033
240	31351-16063	ASSY WHEEL STEERING	1				2.4	5.28
250	31351-16082	PAD STEERING	1				0.07	0.154
260	04512-60120	WASHER SPRING	1				0.005	0.011
270	02176-50120	NUT	1				0.01	0.022



090 02156-50080

100 04512-50080



TA140-857-10

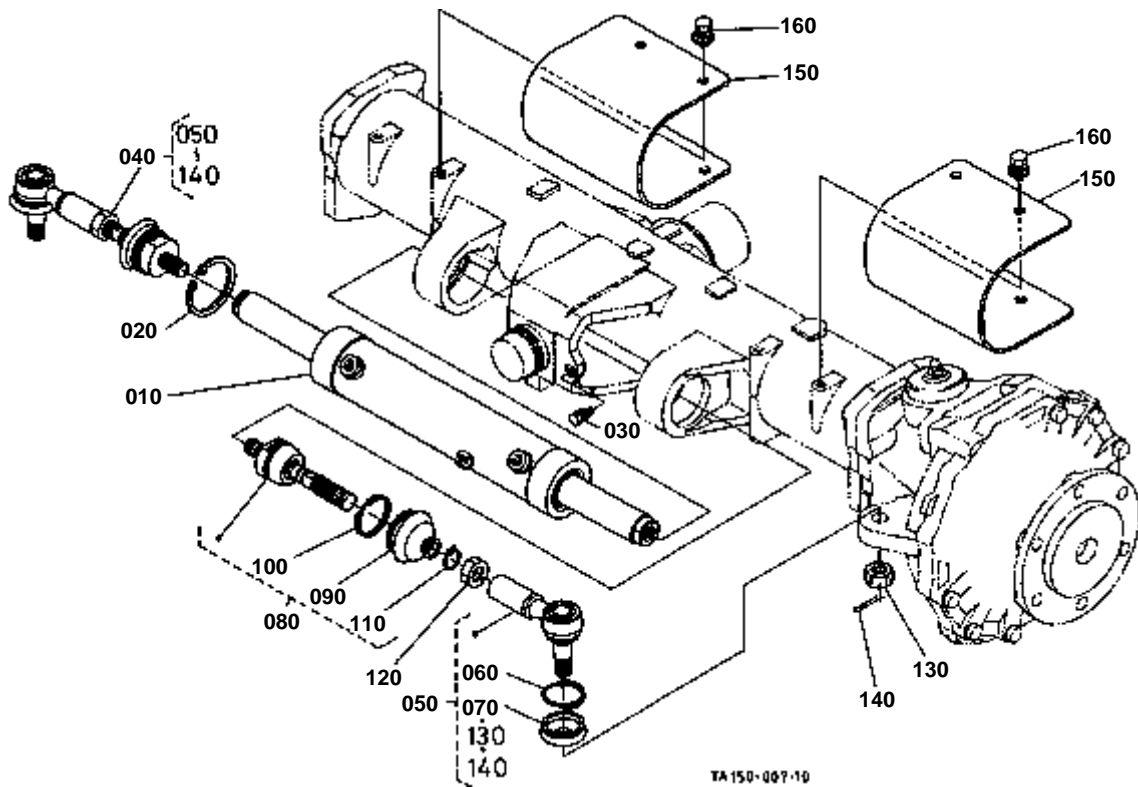


STEERING CONTROLLER

↔ Interchangeable; ≠ not interchangeable; ← new for old; → old for new

REF.No	Part No.	Description	Q'ty	S.No.	I/C	REMARKS	Weight (kgf)	Weight (lb)
010	TA150-37000	CONTROLLER STEERING	1	<=73000			5	11
010	TA150-37004	CONTROLLER STEERING	1	>=73001	←		5	11
020	09500-19387	SEAL OIL	1				0.012	0.0264
030	35070-40840	PLUG	1				0.042	0.0924
040	04810-00150	O RING	1				0.001	0.0022
040	04817-00150	O RING	1		←		0	0
050	TA150-40870	COMP.VALVE RELIEF	1				0.02	0.044
060	56713-28140	ADAPTER CYLINDER	2				0.03	0.066
070	T0180-37300	JOINT	1				0.06	0.132
080	31391-66810	JOINT PIPE	1				0.04	0.088
090	02156-50080	NUT	4	<=72388			0.004	0.0088
090	16429-92010	NUT	4	>=72389	←		0.007	0.0154
100	04512-60080	WASHER SPRING	4	<=72388			0.002	0.0044

STEERING CYLINDER



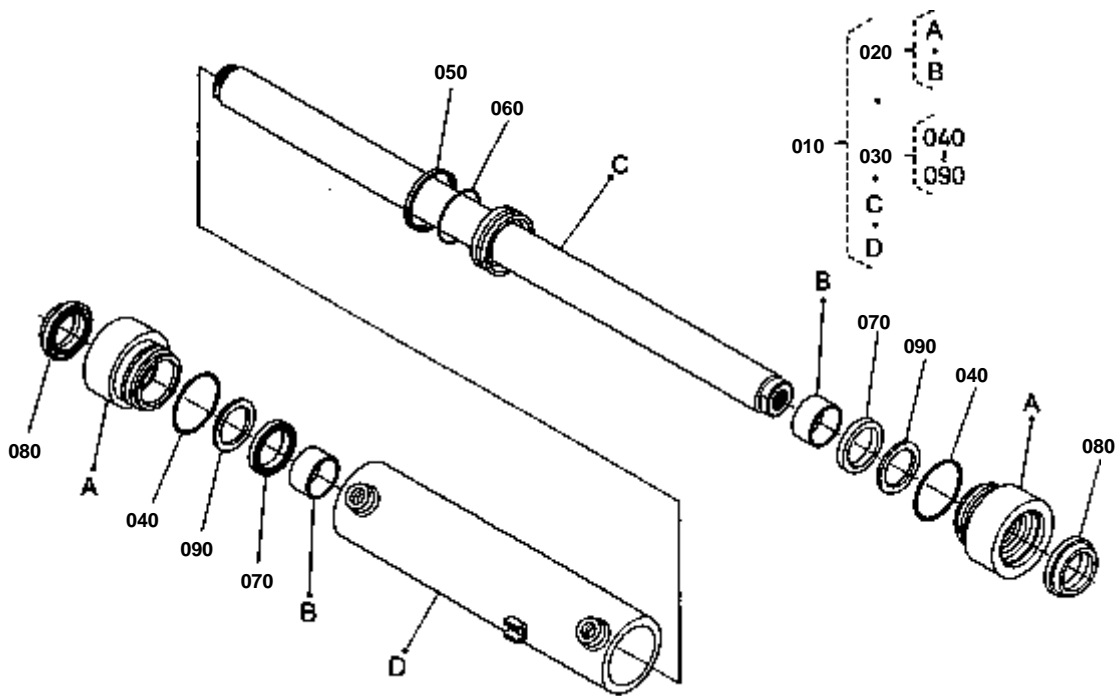


STEERING CYLINDER

↔ Interchangeable; ≠ not interchangeable; ← new for old; → old for new

REF.No	Part No.	Description	Q'ty	S.No.	I/C	REMARKS	Weight (kgf)	Weight (lb)
010	TA150-37800	CYLINDER HYDRAULIC	1	<=70015			0	0
010	TA150-37802	CYLINDER HYDRAULIC	1	>=70016	←		0	0
020	04611-00680	CIR CLIP INTERNAL	1				0.016	0.0352
030	01123-50818	BOLT	1				0.012	0.0264
040	TA150-13700	ASSY ROD TIE	2				1.4	3.08
050	TA150-13710	END TIE ROD	1				0	0
060	36280-62860	CLIP	2				0.002	0.0044
070	35860-62852	COVER DUST	2				0.014	0.0308
080	35080-44662	JOINT TIE ROD	4				0.65	1.43
090	35080-44680	COVER DUST	4				0.029	0.0638
100	35533-62860	RING SET	4				0.005	0.011
110	35080-44690	CLIP	4				0.002	0.0044
120	02172-50200	NUT	2				0.03	0.066
130	35860-62750	NUT	2				0.04	0.088
140	05511-50335	PIN SPLIT	2				0.002	0.0044
150	TA150-14310	COVER	2				1.16	2.552
160	01135-61020	BOLT	6				0.015	0.033

STEERING CYLINDER [COMPONENT PARTS]



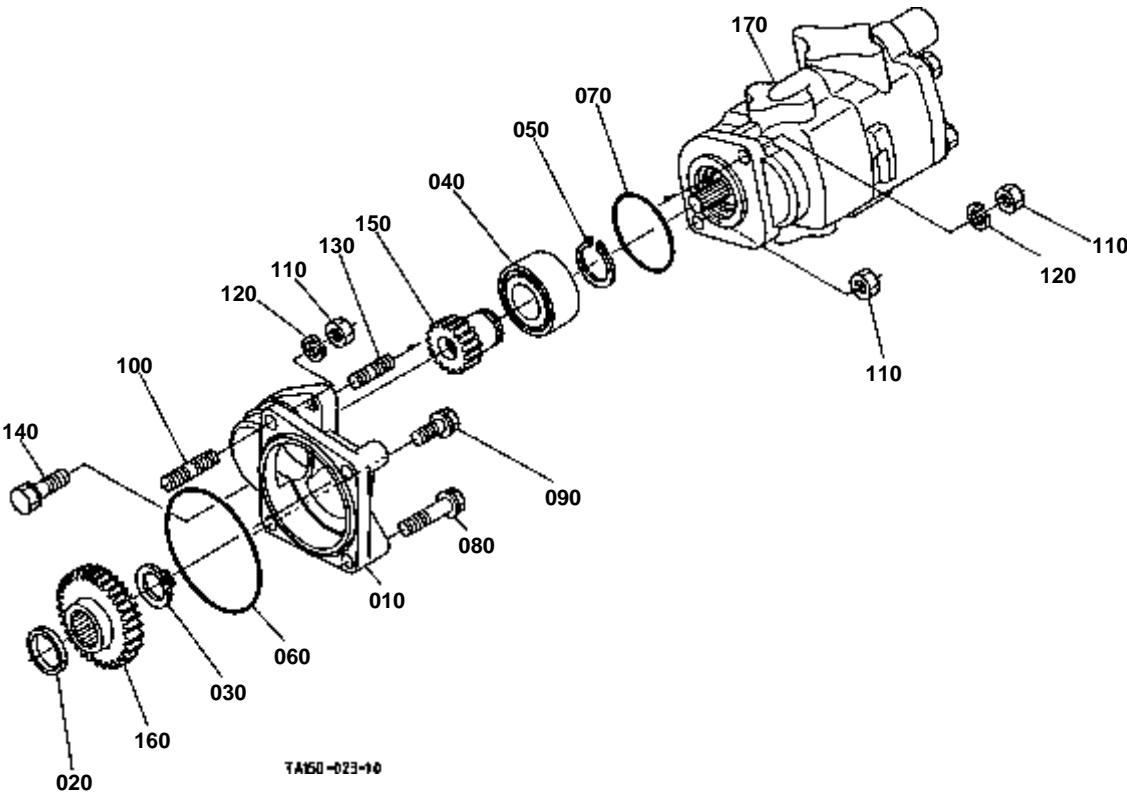
TA-150-006-10

**STEERING CYLINDER [COMPONENT PARTS]**

↔ Interchangeable; ≠ not interchangeable; ← new for old; → old for new

REF.No	Part No.	Description	Q'ty	S.No.	I/C	REMARKS	Weight (kgf)	Weight (lb)
010	TA150-37800	CYLINDER HYDRAULIC	1	<=70015			0	0
010	TA150-37802	CYLINDER HYDRAULIC	1	>=70016	←		0	0
020	TA150-37810	KIT HEAD HYD.CYL.	1				0	0
030	3A022-63820	KIT SEAL	1				0.053	0.1166
040	68811-93370	O RING	2				0.002	0.0044
050	3A121-63830	SEAL	1				0.004	0.0088
060	3A121-63840	O RING	1				0.002	0.0044
070	3A121-63890	U-RING	2				0.005	0.011
080	3A121-63860	RING WIPER	2				0.015	0.033
090	3A121-63870	RING BACK UP	2				0.004	0.0088

HYDRAULIC PUMP [HST TYPE]

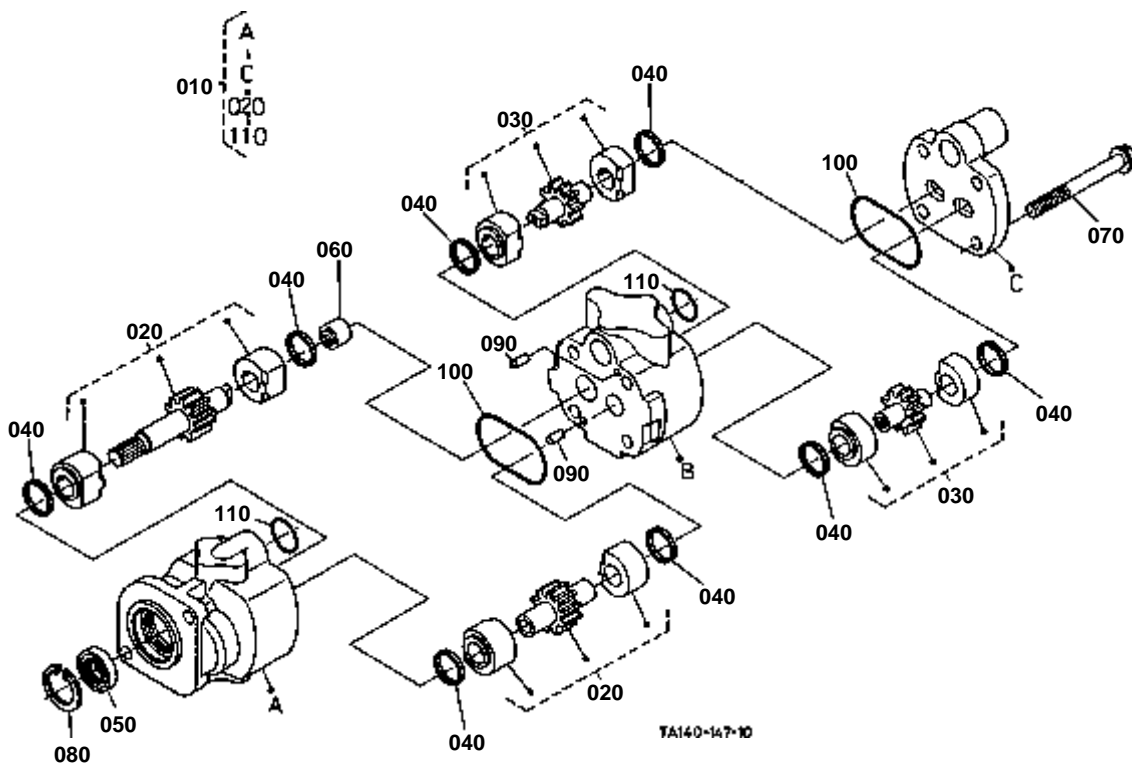




HYDRAULIC PUMP [HST TYPE]

↔ Interchangeable; ≠ not interchangeable; ← new for old; → old for new

REF.No	Part No.	Description	Q'ty	S.No.	I/C	REMARKS	Weight (kgf)	Weight (lb)
010	34070-33612	HOLDER PUMP	1				0.375	0.825
020	35370-37820	COLLAR	1				0.015	0.033
030	15471-95360	CIR CLIP EXTERNAL	1				0.004	0.0088
040	08241-05205	BEARING BALL	1				0.177	0.3894
050	04612-00250	CIR CLIP EXTERNAL	1				0.002	0.0044
060	04811-10850	O RING	1				0.002	0.0044
070	04811-10500	O RING	1	≤73000			0.001	0.0022
070	T1060-36620	O RING	1	≥73001	←		0.001	0.0022
080	01754-50840	BOLT FLANGE	2				0.02	0.044
090	01754-50820	BOLT FLANGE	1				0.015	0.033
100	38240-36330	STUD	1				0.008	0.0176
110	02156-50080	NUT	3				0.004	0.0088
120	04512-60080	WASHER SPRING	2				0.002	0.0044
130	01513-60820	STUD	1				0.015	0.033
140	01123-50835	BOLT	1				0.02	0.044
150	TA150-72720	GEAR	1			15T	0.14	0.308
160	TA150-72710	GEAR	1			36T	0.47	1.034
170	TA240-36400	ASSY PUMP HYDRAULIC	1				3.4	7.48



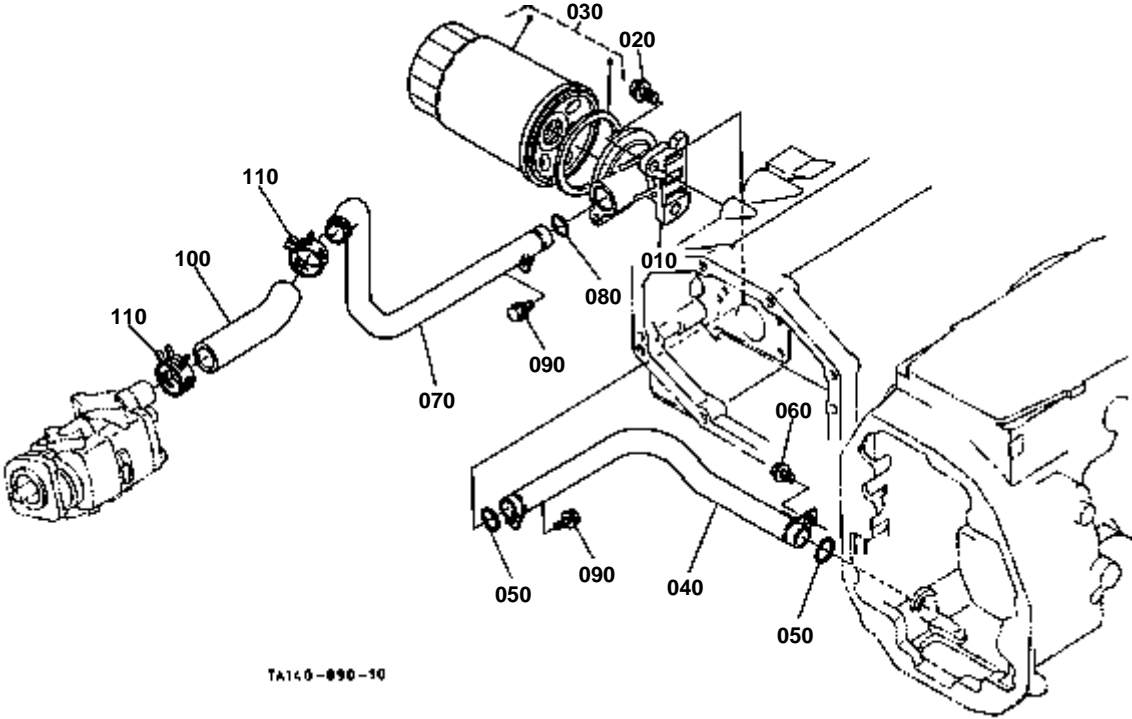


HYDRAULIC PUMP [COMPONENT PARTS] [HST TYPE]

↔ Interchangeable; ≠ not interchangeable; ← new for old; → old for new

REF.No	Part No.	Description	Q'ty	S.No.	I/C	REMARKS	Weight (kgf)	Weight (lb)
010	TA240-36400	ASSY PUMP HYDRAULIC	1				3.4	7.48
020	31391-76302	COMP.GEAR HYD.PUMP	1				0.51	1.122
030	35080-76500	COMP.GEAR HYD.PUMP	1				0.29	0.638
040	38180-76172	SQUARE RING	8				0.002	0.0044
050	31381-76390	SEAL OIL	1				0.01	0.022
060	37410-76470	COUPLING	1				0.01	0.022
070	01754-51090	BOLT FLANGE	4				0.05	0.11
080	04611-00300	CIR CLIP INTERNAL	1				0.004	0.0088
090	05012-00612	PIN STRAIGHT	2				0.003	0.0066
100	04810-50550	O RING	2				0.002	0.0044
110	04811-00220	O RING	2				0.001	0.0022
110	04817-00220	O RING	2		←		0.005	0.011

HYDRAULIC OIL LINE(INLET) [HST TYPE]



TA145-090-30

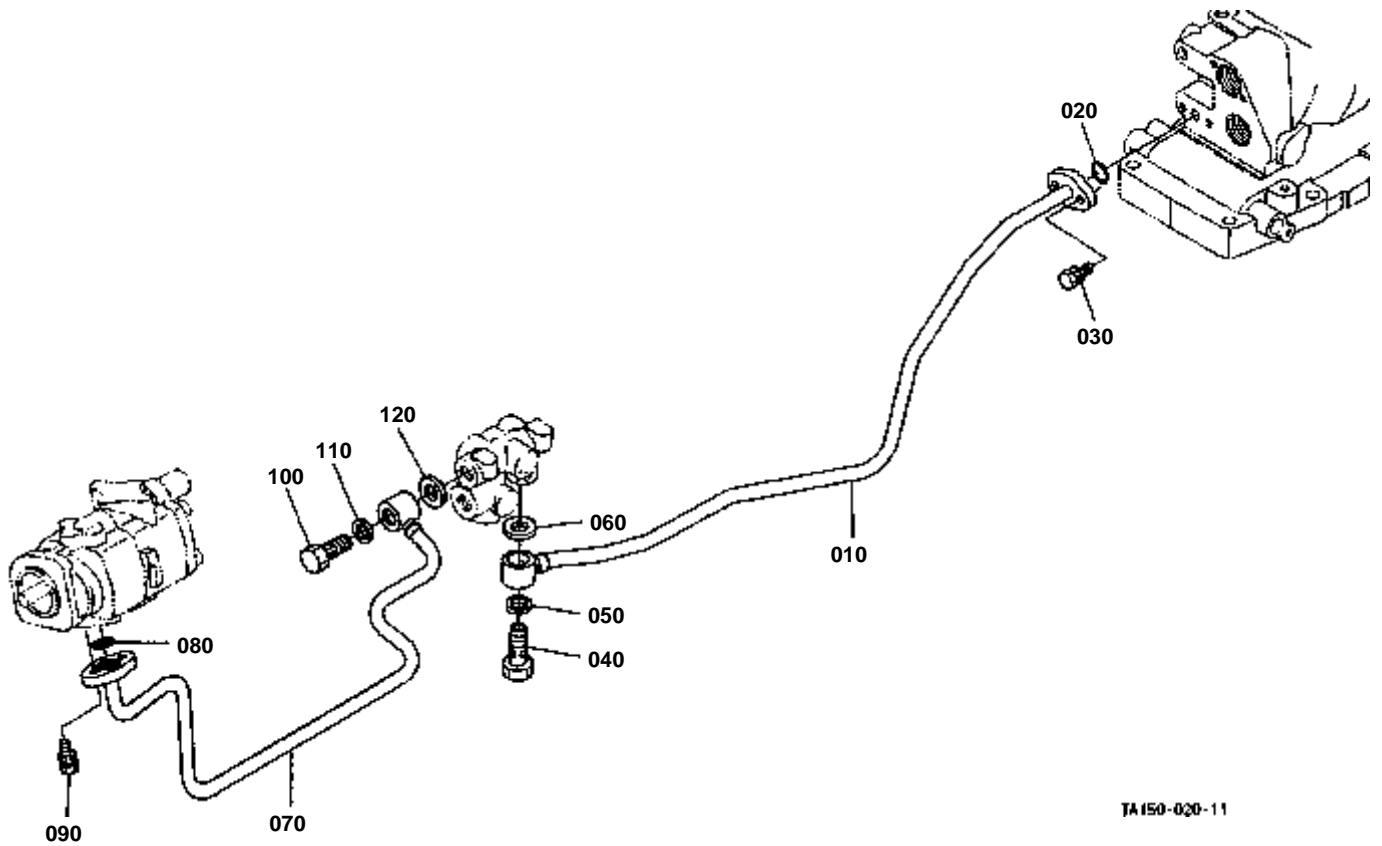


HYDRAULIC OIL LINE(INLET) [HST TYPE]

↔ Interchangeable; ≠ not interchangeable; ← new for old; → old for new

REF.No	Part No.	Description	Q'ty	S.No.	I/C	REMARKS	Weight (kgf)	Weight (lb)
010	TA040-33212	BRACKET FILTER	1				0.525	1.155
020	01774-61020	BOLT FLANGE	2				0.022	0.0484
030	T0070-37710	CARTRIDGE OIL FILTER	1				0.725	1.595
040	TA240-56310	PIPE INLET HST	1				0.43	0.946
050	04810-07230	RING	2				0.001	0.0022
050	04817-07230	O RING	2		←		0	0
060	01754-50812	BOLT FLANGE	1				0.01	0.022
070	TA240-56320	PIPE INLET HST	1				0.47	1.034
080	04810-07230	O RING	1				0.001	0.0022
080	04817-07230	O RING	1		←		0	0
090	01754-50816	BOLT FLANGE	2				0.011	0.0242
100	TA040-33340	HOSE INLET	1				0.103	0.2266
110	31351-38180	BAND PIPE	2				0.02	0.044

HYDRAULIC OIL LINE(DELIVERY) [HST TYPE]



TA150-020-11

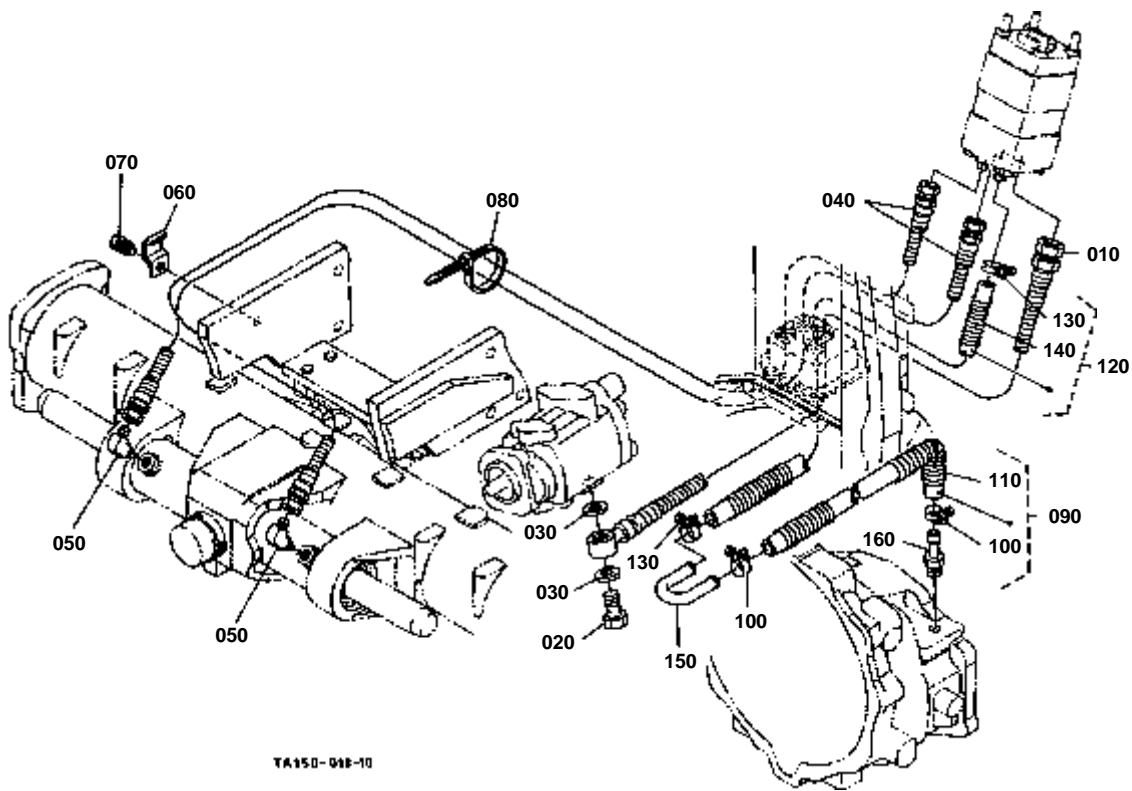


HYDRAULIC OIL LINE(DELIVERY) [HST TYPE]

↔ Interchangeable; ≠ not interchangeable; ← new for old; → old for new

REF.No	Part No.	Description	Q'ty	S.No.	I/C	REMARKS	Weight (kgf)	Weight (lb)
010	TA240-56362	COMP.PIPE DELIVERY	1				0.69	1.518
020	04810-00180	O RING	1				0.001	0.0022
020	04817-00180	O RING	1		←		0.003	0.0066
030	01123-50820	BOLT	2				0.011	0.0242
040	66591-36250	JOINT	1				0.08	0.176
050	67111-37180	GASKET	1				0.003	0.0066
060	67401-36720	GASKET	1				0.005	0.011
070	TA250-56372	COMP.PIPE DELIVERY	1				0.555	1.221
080	04810-00180	O RING	1				0.001	0.0022
080	04817-00180	O RING	1		←		0.003	0.0066
090	01123-50820	BOLT	2				0.011	0.0242
100	66591-36250	JOINT	1				0.08	0.176
110	67111-37180	GASKET	1				0.003	0.0066
120	67401-36720	GASKET	1				0.005	0.011

HYDRAULIC OIL LINE(PS) [HST TYPE]



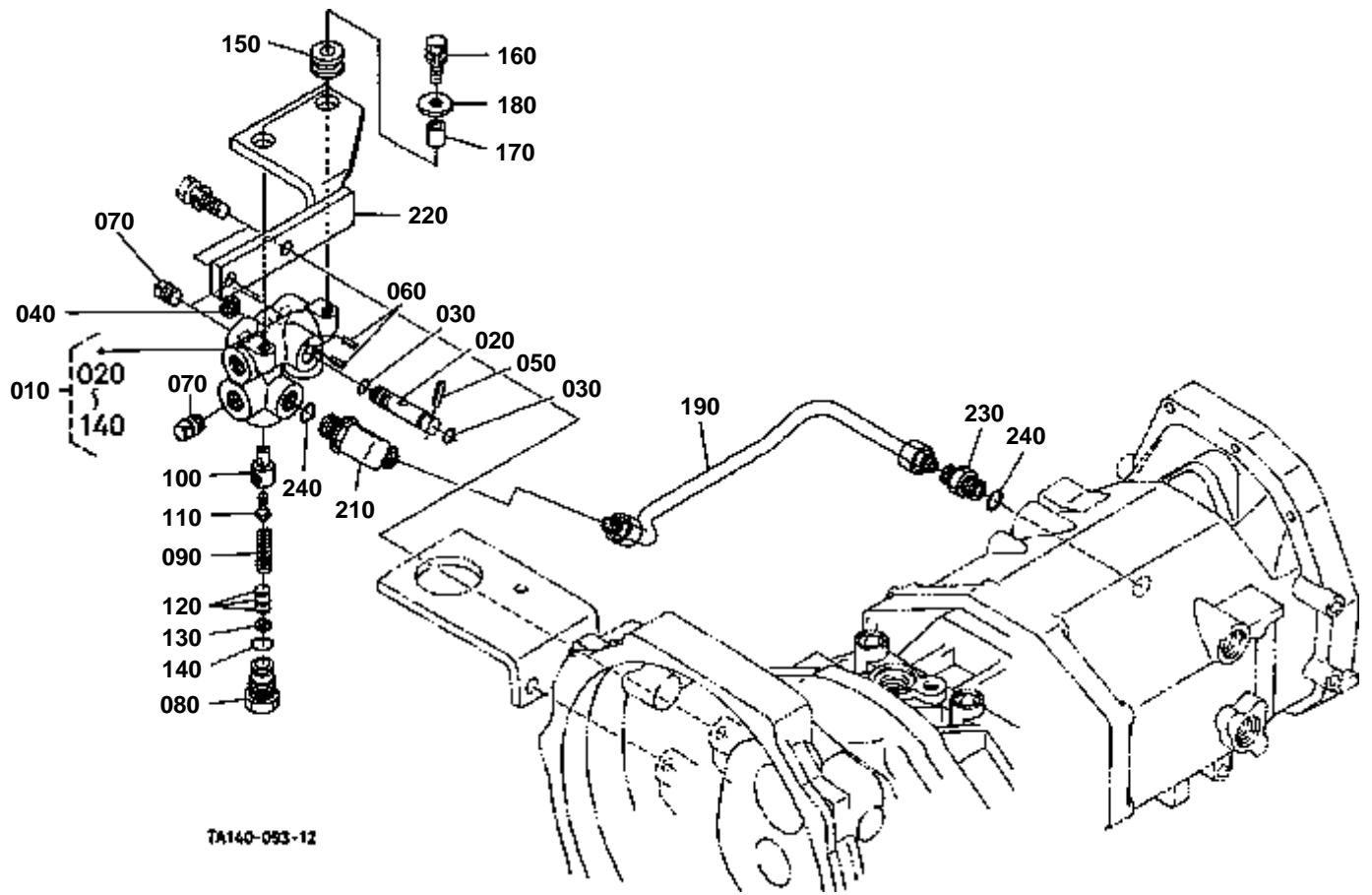


HYDRAULIC OIL LINE(PS) [HST TYPE]

↔ Interchangeable; ≠ not interchangeable; ← new for old; → old for new

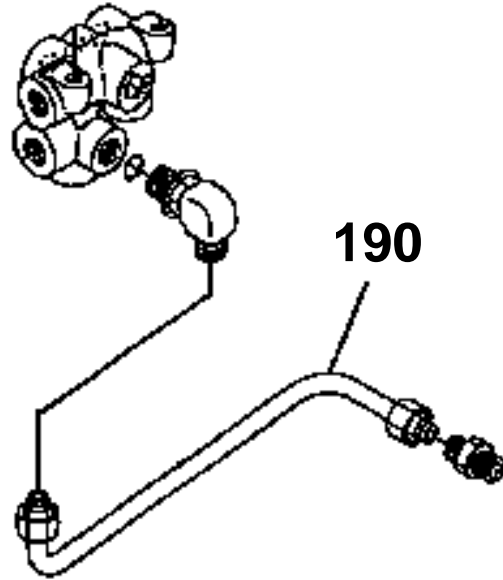
REF.No	Part No.	Description	Q'ty	S.No.	I/C	REMARKS	Weight (kgf)	Weight (lb)
010	TA220-33510	HOSE DELIVERY	1	≤70846			0.435	0.957
010	TA250-33510	HOSE DELIVERY	1	≥70847	←		0.465	1.023
020	66591-36250	JOINT	1				0.08	0.176
030	67111-37180	GASKET	2				0.003	0.0066
040	TA150-33520	HOSE DELIVERY	2	≤70015			0	0
040	TA150-33523	HOSE DELIVERY	2	≥70016	←		0.23	0.506
050	56713-28130	ADAPTER CYLINDER	2				0.052	0.1144
060	TA040-33300	HOLDER HOSE	1				0.027	0.0594
070	01123-60814	BOLT	1	≤72760			0.008	0.0176
070	01123-50816	BOLT	1	≥72761	←		0.011	0.0242
080	55311-41260	BAND CORD	1				0.007	0.0154
090	TA240-33530	ASSY HOSE RETURN	1	≤60009			0.235	0.517
090	TA240-33533	ASSY HOSE RETURN	1	≥70001	←		0.235	0.517
100	15109-73360	BAND PIPE	2				0.01	0.022
110	31351-45330	SPRING PROTECTOR	1				0.055	0.121
120	34030-33530	ASSY HOSE RETURN	1				0.29	0.638
130	15109-73360	BAND PIPE	2				0.01	0.022
140	31351-45330	SPRING PROTECTOR	1				0.055	0.121
150	TA240-33550	PIPE	1				0.04	0.088
160	TA240-36910	JOINT	1				0.06	0.132

HYDRAULIC OUTLET BLOCK [HST TYPE]



7A140-093-12

190 TA250-5646-0



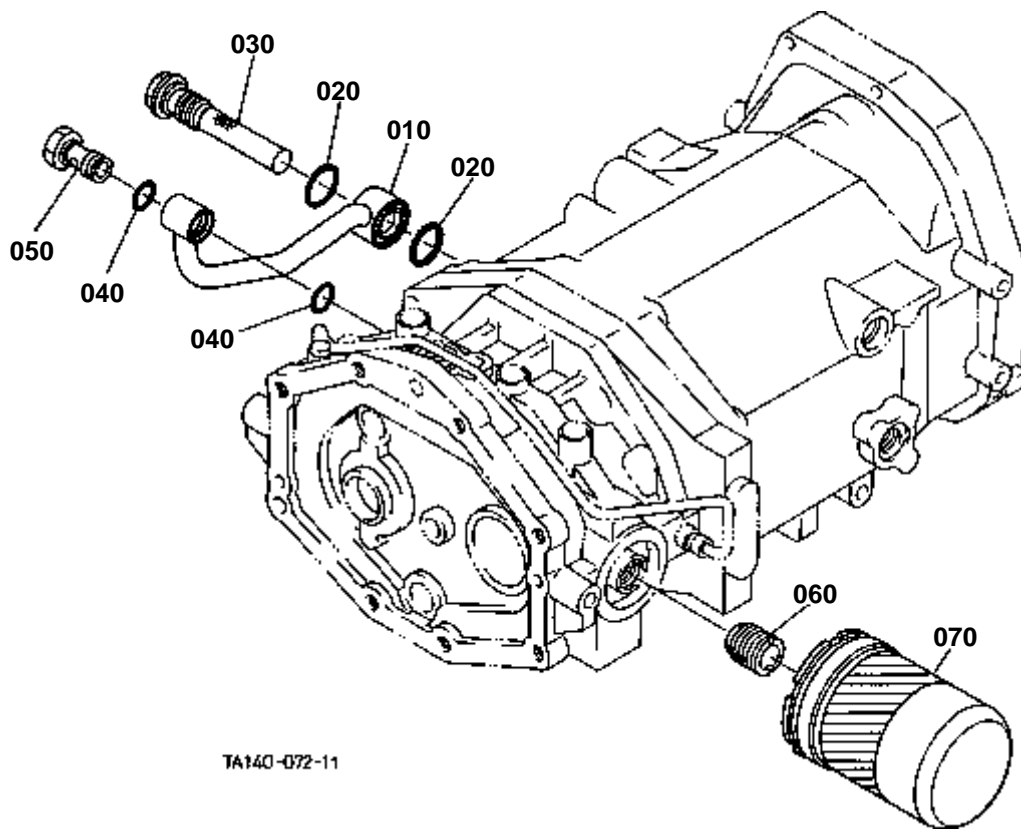
TA150-803-10



HYDRAULIC OUTLET BLOCK [HST TYPE]

↔ Interchangeable; ≠ not interchangeable; ← new for old; → old for new

REF.No	Part No.	Description	Q'ty	S.No.	I/C	REMARKS	Weight (kgf)	Weight (lb)
010	TA250-37500	ASSY BLOCK FRONT HYD	1				1.535	3.377
020	TA040-37520	SPOOL	1				0.067	0.1474
030	04810-06100	O RING	2				0.001	0.0022
030	04817-06100	O RING	2		←		0	0
040	04612-00140	CIR CLIP EXTERNAL	1				0.001	0.0022
050	05411-00320	PIN SPRING	1				0.001	0.0022
060	05411-00310	PIN SPRING	2				0.001	0.0022
070	06312-10030	PLUG	3				0.029	0.0638
080	31351-37910	PLUG	1				0.06	0.132
090	31351-37920	SPRING RELIEF	1				0.02	0.044
100	31351-37930	SEAT RELIEF VALVE	1				0.02	0.044
110	31351-37940	POPPET	1				0.005	0.011
120	31351-37950	SHIM	5			0.4mm	0.001	0.0022
120	31351-37960	SHIM	2			0.2mm	0.001	0.0022
120	31351-37970	SHIM	2			0.1mm	0.001	0.0022
130	04013-60050	WASHER PLAIN	2				0.001	0.0022
140	04811-10160	O RING	1				0.001	0.0022
150	TA040-37590	CUSHION	2				0.006	0.0132
160	01123-50828	BOLT	2				0.014	0.0308
170	TA040-37600	COLLAR	2				0.009	0.0198
180	04015-60080	WASHER PLAIN	2				0.01	0.022
190	TA250-56460	PIPE RETURN	1	≤70846			0	0
190	TA250-56462	PIPE RETURN	1	≥70847	←		0.48	1.056
200	99999-99999	BLANK	0				0	0
210	06015-51533	JOINT	1				0	0
220	TA240-55210	BRACKET HYD.BLOCK	1				0.94	2.068
230	06012-51533	JOINT PIPE	1				0.066	0.1452
240	04811-00140	O RING	2				0.001	0.0022
240	04817-00140	O RING	2		←		0	0



TA140-072-11

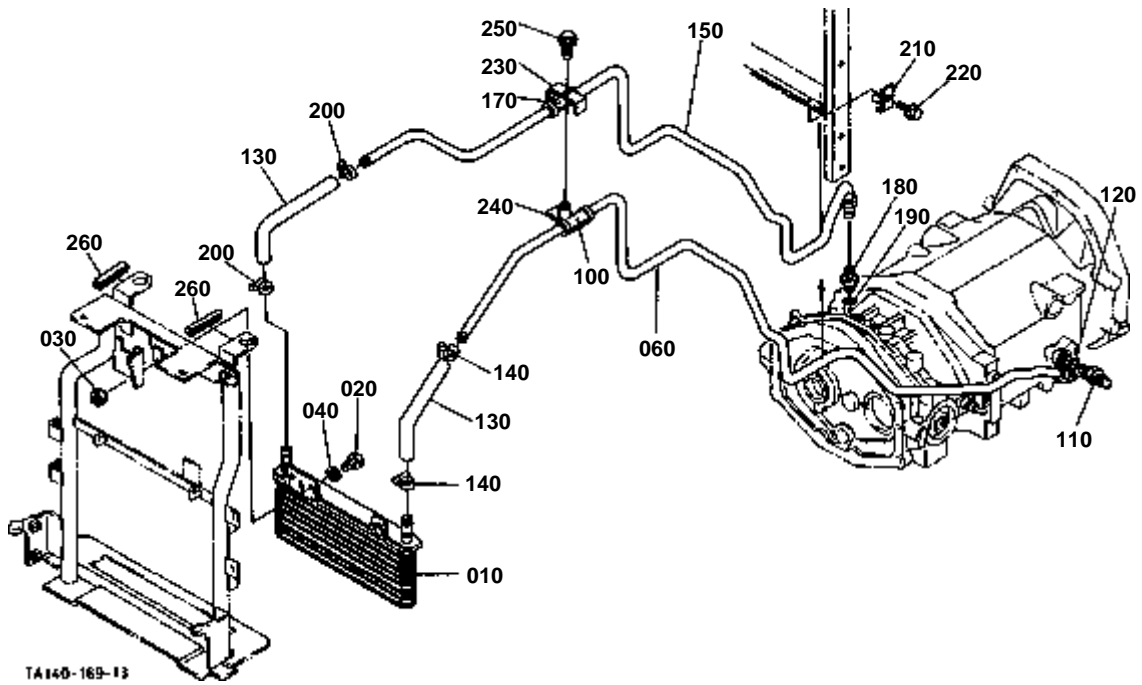


HYDRAULIC PIPE [HST TYPE]

↔ Interchangeable; ≠ not interchangeable; ← new for old; → old for new

REF.No	Part No.	Description	Q'ty	S.No.	I/C	REMARKS	Weight (kgf)	Weight (lb)
010	TA240-56110	PIPE SUCTION HST	1				0.31	0.682
020	04811-10300	O RING	2				0.001	0.0022
030	54516-36560	FILTER	1				0.21	0.462
040	04810-00220	O RING	2				0.001	0.0022
040	04817-00220	O RING	2		←		0.005	0.011
050	67810-37710	BOLT JOINT	1				0.1	0.22
060	58700-11530	ADAPTER	1				0.063	0.1386
070	TA240-59900	FILTER OIL	1				0.955	2.101

OIL COOLER [HST TYPE]

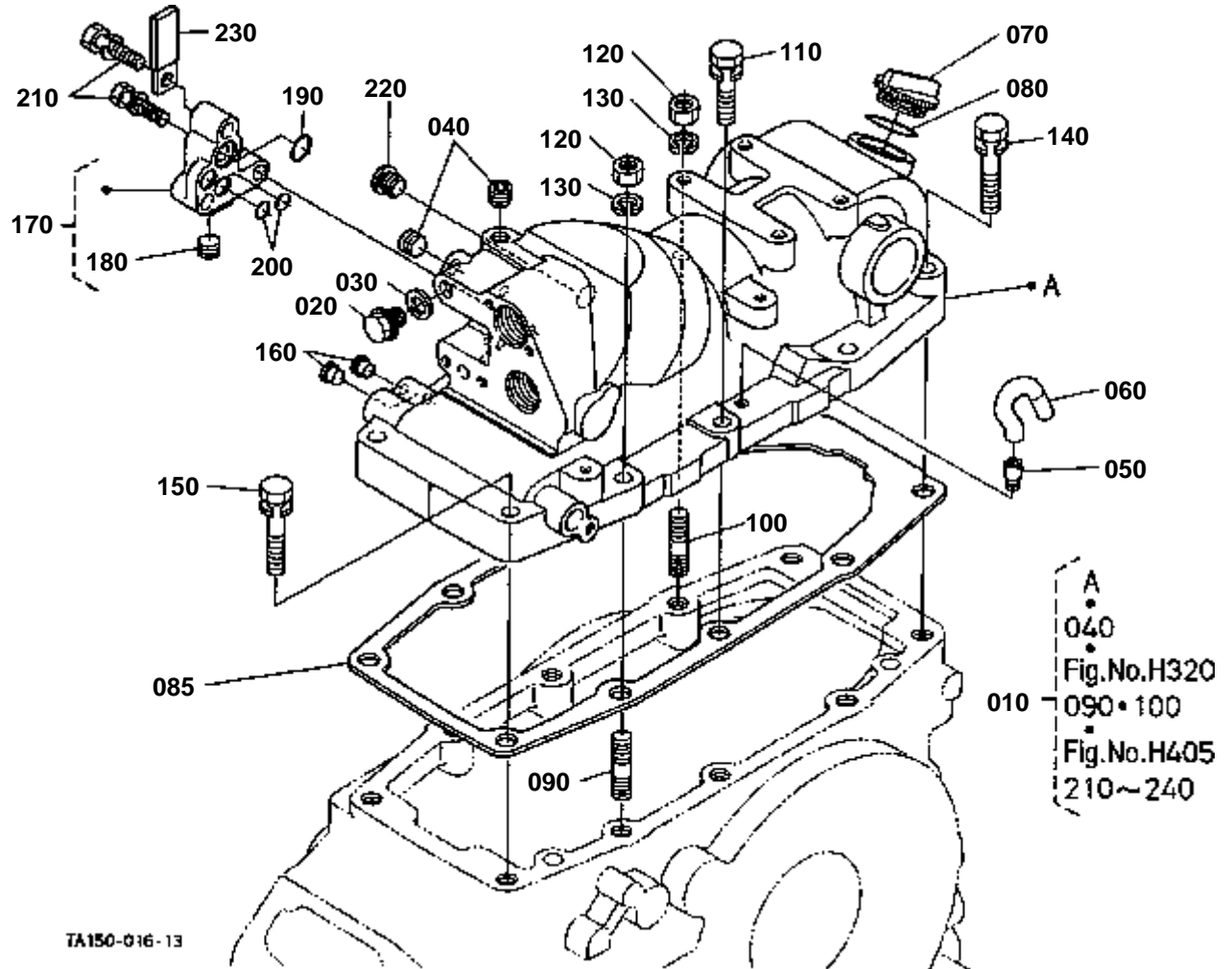


**OIL COOLER [HST TYPE]**

↔ Interchangeable; ≠ not interchangeable; ← new for old; → old for new

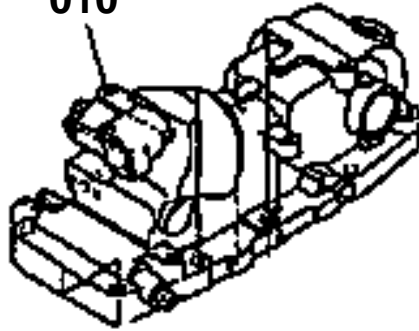
REF.No	Part No.	Description	Q'ty	S.No.	I/C	REMARKS	Weight (kgf)	Weight (lb)
010	TA240-55370	COOLER OIL	1				0.72	1.584
020	01153-50814	BOLT	2				0.009	0.0198
030	02114-50080	NUT	2				0.005	0.011
040	04512-60080	WASHER SPRING	2				0.002	0.0044
050	99999-99999	BLANK	0				0	0
060	TA240-21113	COMP.PIPE OIL COOLER	1	≤70846			0.78	1.716
060	TA240-21115	COMP.PIPE OIL COOLER	1	≥70847	←		0.78	1.716
070	99999-99999	BLANK	0				0	0
080	99999-99999	BLANK	0				0	0
090	99999-99999	BLANK	0				0	0
100	34550-33290	TUBE	1				0.01	0.022
110	06015-51543	JOINT	1				0.15	0.33
120	04811-00180	O RING	1				0.001	0.0022
120	04817-00180	O RING	1		←		0.003	0.0066
130	TA240-21150	HOSE OIL COOLER	2				0.08	0.176
140	66204-36280	BAND PIPE	2				0.02	0.044
150	TA240-21133	COMP.PIPE OIL COOLER	1	≤70846			0.415	0.913
150	TA240-21135	COMP.PIPE OIL COOLER	1	≥70847	←		0.78	1.716
160	99999-99999	BLANK	0				0	0
170	34550-33290	TUBE	1				0.01	0.022
180	3A011-82930	JOINT PIPE	1				0.09	0.198
190	04810-00180	O RING	1				0.001	0.0022
190	04817-00180	O RING	1		←		0.003	0.0066
200	66204-36280	BAND PIPE	2				0.02	0.044
210	TA240-55473	HOLDER OIL COOLER	1				0.033	0.0726
220	01754-50630	BOLT FLANGE	1				0.01	0.022
230	TA240-21910	HOLDER OIL COOLER	1				0.05	0.11
240	TA240-21920	HOLDER OIL COOLER	1				0.059	0.1298
250	01123-50840	BOLT	1				0.018	0.0396
260	31351-34320	RUBBER PROTECTOR	2				0.003	0.0066

HYDRAULIC CYLINDER



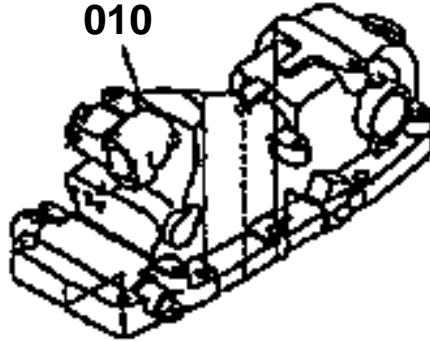
010 TA150-3411-0

010



010 TA040-3411-4

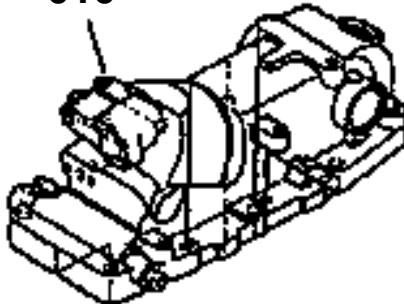
010



010 TA150-9935-0

010 TA150-9935-3

010



010 { A
040
FIG. No. H320
090 • 100

TA150-801-11

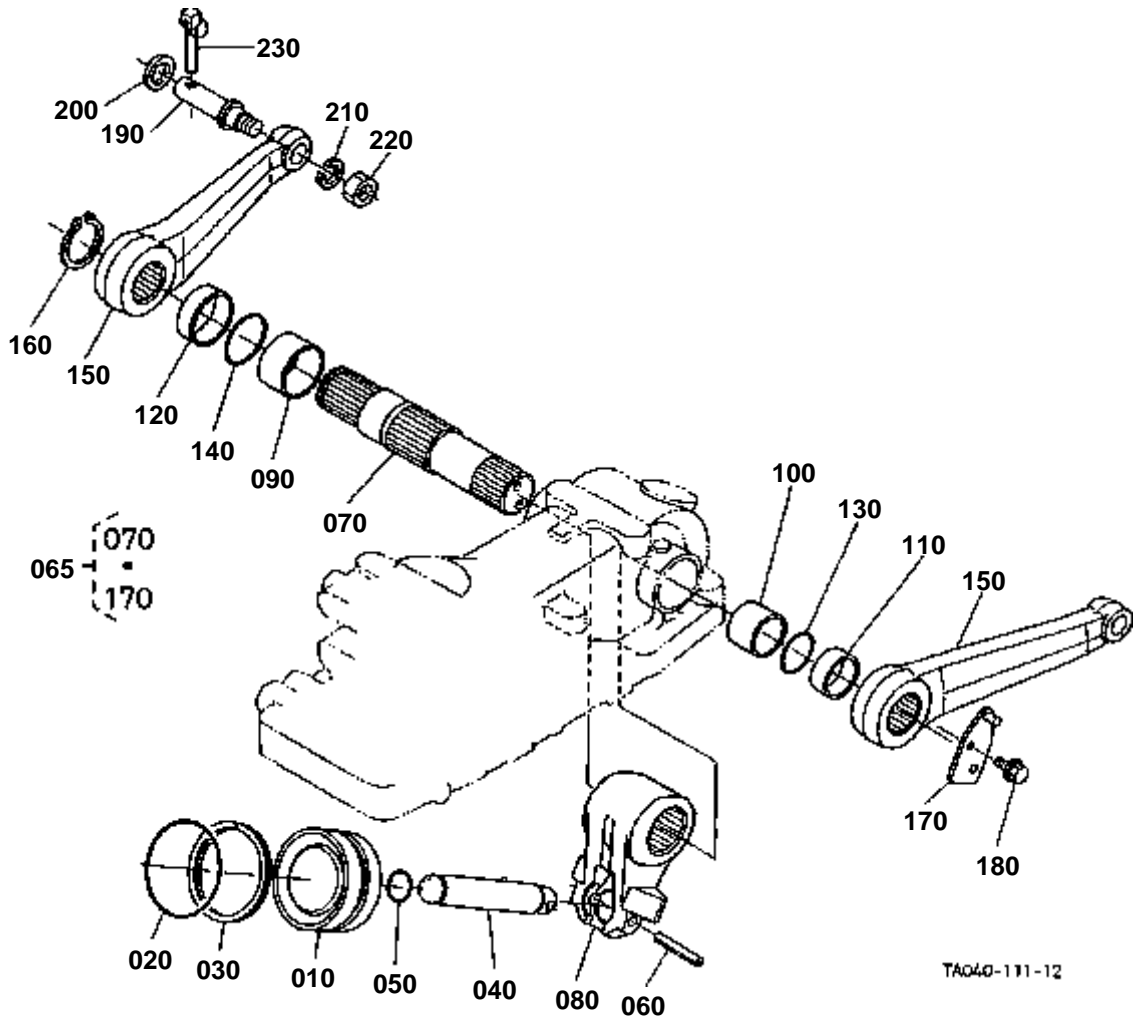


HYDRAULIC CYLINDER

↔ Interchangeable; ≠ not interchangeable; ← new for old; → old for new

REF.No	Part No.	Description	Q'ty	S.No.	I/C	REMARKS	Weight (kgf)	Weight (lb)
010	TA150-34110	CASE HYD.CYLINDER	1	<=60009		NOT SALE	0	0
010	TA040-34114	CASE HYD.CYLINDER	1	>=70001	≠	NOT SALE	21.3	46.86
010	TA150-99350	ASSY CASE HYD.CYLIN.	1	>=70847	←		0	0
010	TA150-99353	ASSY CASE CYLINDER	1	>=72027	←		0	0
010	TC050-99360	ASSY CASE CYLINDER	1	>=73629	←		0	0
020	37150-36730	PLUG	1				0.03	0.066
030	37150-36720	GASKET	1				0.01	0.022
040	31351-37150	PLUG	2				0.007	0.0154
050	36200-21610	BREATHER	1				0.008	0.0176
060	31351-37140	BREATHER	1				0.01	0.022
070	38240-21410	PLUG	1				0.015	0.033
080	04811-50300	O RING	1				0.001	0.0022
080	04817-50300	O RING	1		←		0.001	0.0022
085	TA150-37120	GASKET	1				0.1	0.22
090	01574-51245	STUD	1				0.051	0.1122
100	01574-51245	STUD	1				0.051	0.1122
110	01133-51245	BOLT	4				0.055	0.121
120	02176-50120	NUT	2				0.01	0.022
130	04512-60120	WASHER SPRING	2				0.005	0.011
140	01133-51260	BOLT	2				0.06	0.132
150	01133-51255	BOLT	2				0.08	0.176
160	66591-51130	PLUG	2			W/O DRAFT	0.001	0.0022
170	TA040-36620	ASSY COVER CYLINDER	1				0.3	0.66
180	31351-37150	PLUG	1				0.007	0.0154
190	04810-00140	O RING	1				0.001	0.0022
190	04817-00140	O RING	1		←		0	0
200	04810-00100	O RING	2				0.001	0.0022
200	04817-00100	O RING	2		←		0	0
210	01123-50835	BOLT	3				0.02	0.044
220	TA040-36650	PLUG	1				0.005	0.011
230	13816-67580	CLAMP CORD	1				0.004	0.0088

LIFT ARM

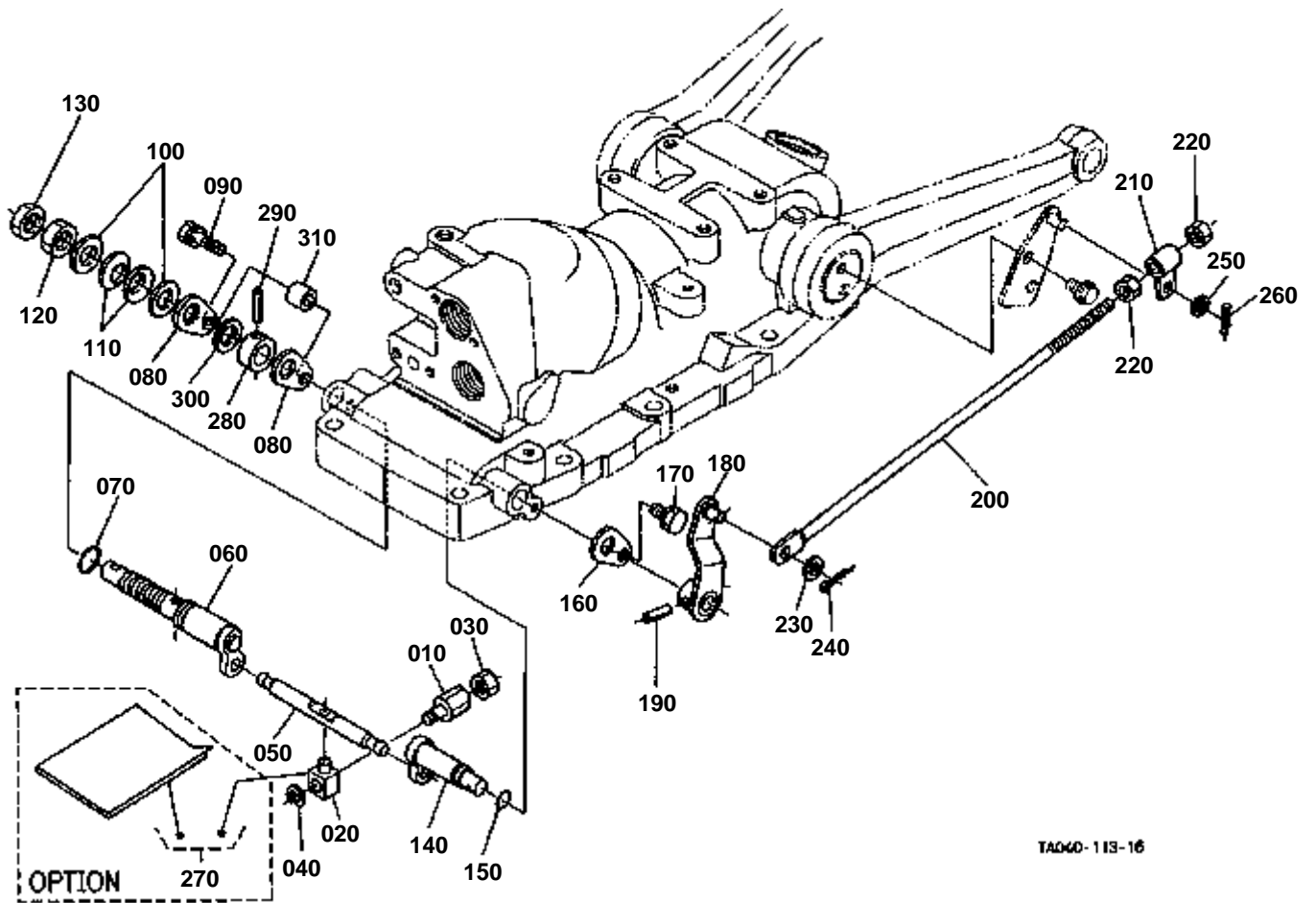


**LIFT ARM**

↔ Interchangeable; ≠ not interchangeable; ← new for old; → old for new

REF.No	Part No.	Description	Q'ty	S.No.	I/C	REMARKS	Weight (kgf)	Weight (lb)
010	34070-34213	PISTON HYD.	1	<=71688			0	0
010	34070-34214	PISTON HYD.	1	>=71689	←		0	0
020	04810-00800	O RING	1				0.009	0.0198
030	31391-37330	RING BACK UP	1				0.005	0.011
040	31351-37320	ROD HYD.	1				0.605	1.331
050	04810-00240	O RING	1				0.001	0.0022
050	04817-00240	O RING	1		←		0	0
060	05411-00656	PIN SPRING	1				0.006	0.0132
065	TA150-37420	ASSY SHAFT HYD.ARM	1	>=72558			2.3	5.06
070	TA150-37430	SHAFT HYD.ARM	1	<=72557			2.2	4.84
070	TA150-37434	SHAFT HYD.ARM	1	>=72558	≠	NOT SALE ORDER BY REF.No.065	0	0
080	TA040-34232	ARM HYDRAULIC	1	<=72399		NOT SALE	1.94	4.268
080	TA040-34234	ARM HYDRAULIC	1	>=72400	←		0	0
090	30400-37450	BUSH	1				0.09	0.198
100	30400-37460	BUSH	1				0.065	0.143
110	34150-37490	COLLAR	1				0.002	0.0044
120	34150-37480	COLLAR	1				0.005	0.011
130	04811-06400	O RING	1				0.001	0.0022
130	04817-06400	O RING	1		←		0	0
140	04811-50450	O RING	1				0.002	0.0044
140	04817-50450	O RING	1		←		0	0
150	TA040-34610	ARM LIFT	2				2.22	4.884
160	04612-00400	CIR CLIP EXTERNAL	1				0.005	0.011
170	T0070-36010	LINK CONTROL	1	<=72557			0.07	0.154
170	TA150-37720	LINK CONTROL	1	>=72558	≠		0.035	0.077
180	01754-50812	BOLT FLANGE	2				0.01	0.022
190	30442-37690	PIN LIFT ROD	2				0.205	0.451
200	04011-50180	WASHER PLAIN	2				0.012	0.0264
210	04512-60160	WASHER SPRING	2				0.01	0.022
220	02174-50160	NUT	2				0.022	0.0484
230	34150-37640	PIN SET	2				0.06	0.132

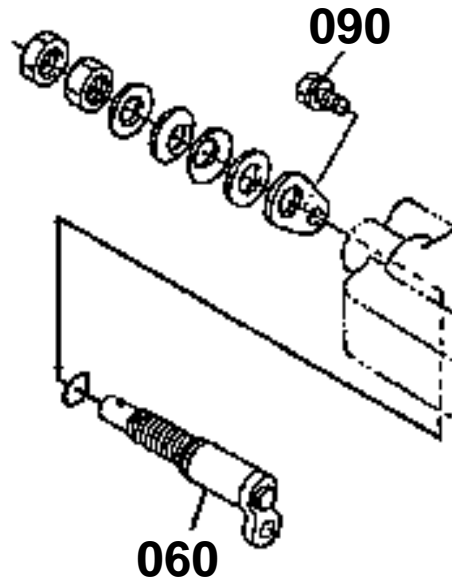
FEED BACK LEVER



TA040-113-16

060 31351-3765-0

090 01123-60816



TA049-870-10

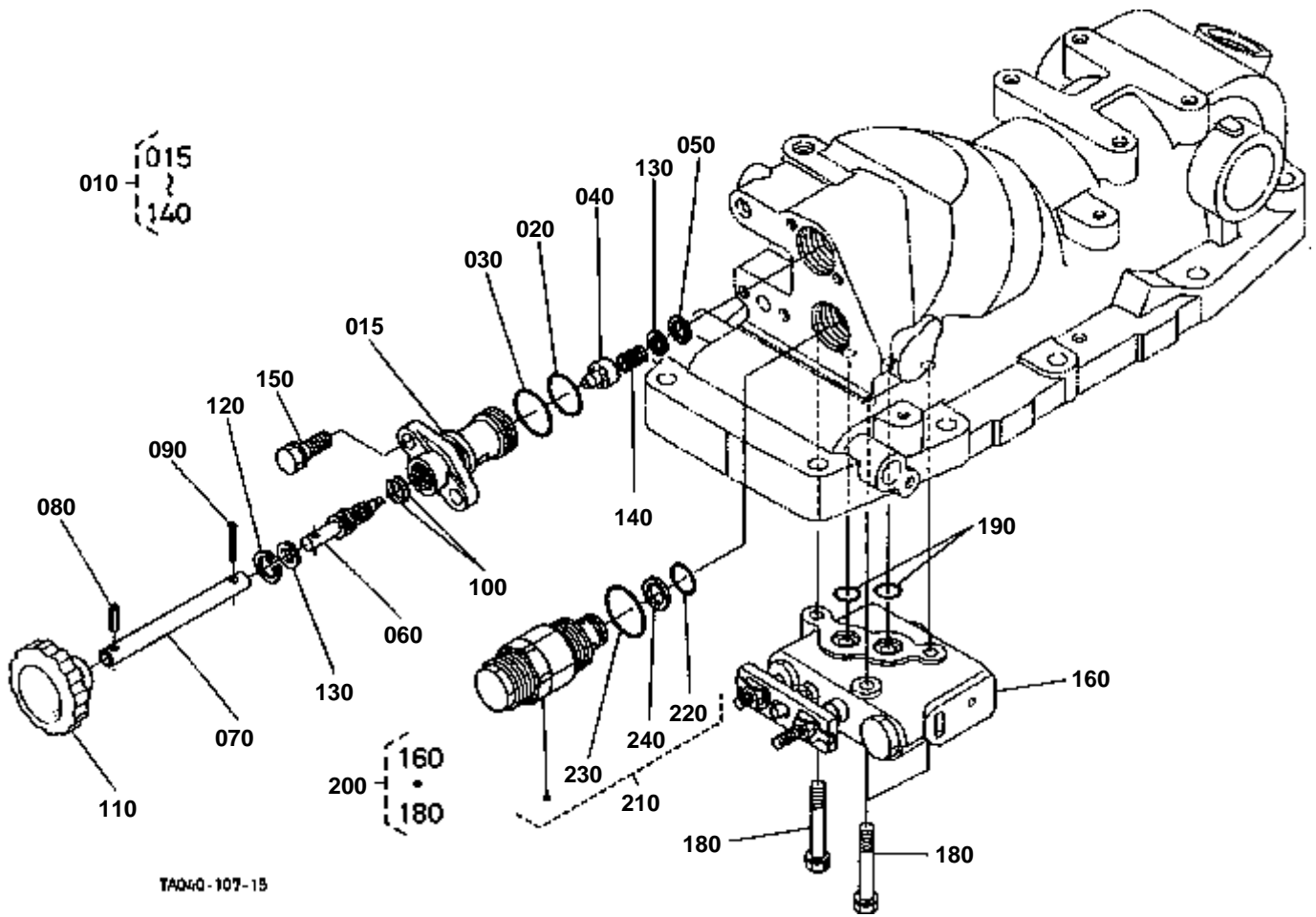


FEED BACK LEVER

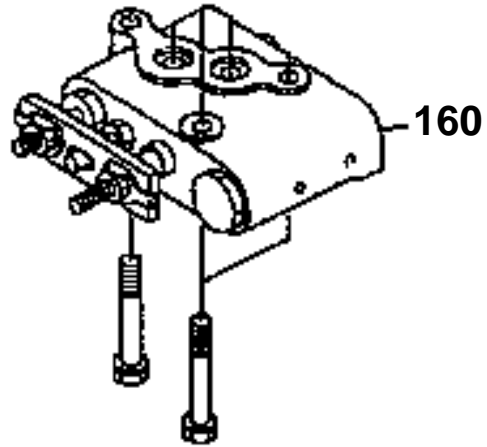
↔ Interchangeable; ≠ not interchangeable; ← new for old; → old for new

REF.No	Part No.	Description	Q'ty	S.No.	I/C	REMARKS	Weight (kgf)	Weight (lb)
010	67531-38280	JOINT SPOOL	1				0.17	0.374
020	37150-36420	JOINT SPOOL	1				0.02	0.044
030	02112-50080	NUT	1				0.003	0.0066
040	04613-50060	CIR CLIP EXTERNAL	1				0.001	0.0022
050	31351-37640	LEVER SPOOL DRIVE	1				0.05	0.11
060	31351-37650	ARM CONTROL	1	≤71692			0.16	0.352
060	TA140-37650	ARM CONTROL	1	≥71693	≠		0	0
070	04811-00140	O RING	1				0.001	0.0022
070	04817-00140	O RING	1		←		0	0
080	31351-37660	SET PLATE	1	≤71692			0.01	0.022
080	31351-37660	SET PLATE	2	≥71693			0.01	0.022
090	01123-50816	BOLT	1	≤71692			0.011	0.0242
090	01123-50830	BOLT	1	≥71693	≠		0.015	0.033
100	04013-60140	WASHER PLAIN	2				0.01	0.022
110	34260-36880	SPRING PLATE	2				0.006	0.0132
120	02174-50140	NUT	1				0.014	0.0308
130	02172-50140	NUT	1				0.01	0.022
140	31351-37750	SHAFT BACK LEVER	1				0.1	0.22
150	04811-00120	O RING	1				0.001	0.0022
150	04816-00120	O RING	1		←		0.001	0.0022
160	38240-36890	SET PLATE	1				0.013	0.0286
170	01123-50816	BOLT	1				0.011	0.0242
180	31351-37760	LEVER FEED BACK	1				0.08	0.176
190	05411-00525	PIN SPRING	1				0.002	0.0044
200	31321-37770	ROD FEED BACK	1				0.12	0.264
210	31351-37780	ROD CONTROL	1				0.03	0.066
220	02114-50080	NUT	2				0.005	0.011
230	04013-60080	WASHER PLAIN	1				0.002	0.0044
240	05511-50218	PIN SPLIT	1				0.001	0.0022
250	04013-60080	WASHER PLAIN	1				0.002	0.0044
260	05511-50215	PIN SPLIT	1				0.001	0.0022
270	TA040-99800	ASSY JOINT	1			OPTION	0.019	0.0418
280	TA140-36900	SPACER	1	≥71693			0	0
290	05411-00528	PIN SPRING	1	≥71693			0.003	0.0066
300	TA140-36920	PLATE FRICTION	1	≥71693			0	0
310	TA140-36930	SPACER	1	≥71693			0	0

CONTROL VALVE



160 31351-3960-3



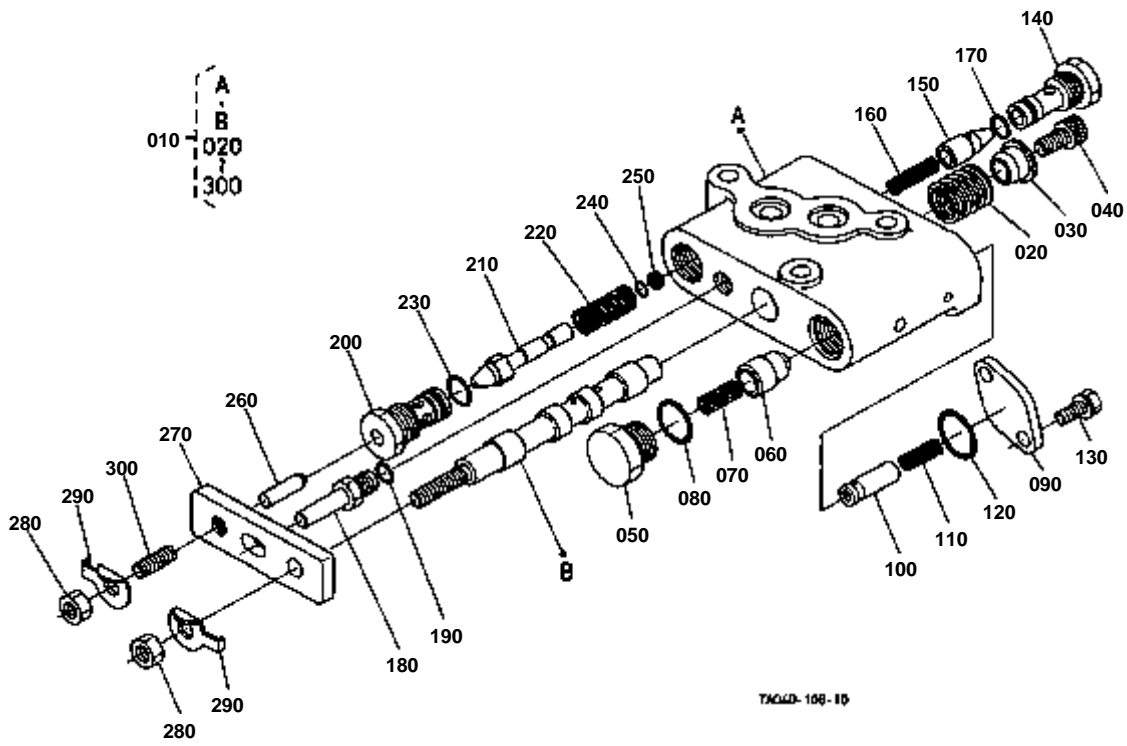
TA040-918-10

**CONTROL VALVE**

↔ Interchangeable; ≠ not interchangeable; ← new for old; → old for new

REF.No	Part No.	Description	Q'ty	S.No.	I/C	REMARKS	Weight (kgf)	Weight (lb)
010	TA040-34500	ASSY VALVE	1				0.215	0.473
015	31351-37210	COVER CYL.FRONT	1				0.315	0.693
020	04810-00220	O RING	1				0.001	0.0022
020	04817-00220	O RING	1		←		0.005	0.011
030	04810-06250	O RING	1				0.001	0.0022
030	04817-06250	O RING	1		←		0	0
040	38240-37250	COLLAR ADJUSTING	1				0.01	0.022
050	04611-00160	CIR CLIP INTERNAL	1				0.001	0.0022
060	T0070-34510	SHAFT	1				0.04	0.088
070	TA040-34570	PIPE	1				0.035	0.077
080	05411-00414	PIN SPRING	1				0.001	0.0022
090	05511-50425	PIN SPLIT	1				0.003	0.0066
100	04810-00100	O RING	2				0.001	0.0022
100	04817-00100	O RING	2		←		0	0
110	T0070-34560	GRIP	1				0.011	0.0242
120	34150-37260	CIR CLIP INTERNAL	1				0.001	0.0022
130	04012-50080	WASHER PLAIN	2				0.001	0.0022
140	30812-37360	SPRING	1				0.005	0.011
150	01123-50825	BOLT	2				0.013	0.0286
160	31351-39603	ASSY VALVE CONTROL	1	≤71974			0	0
160	31351-39604	ASSY VALVE CONTROL	1	≥71975	←		0	0
170	99999-99999	BLANK	0				0	0
180	TA040-36400	BOLT	3				0.02	0.044
190	04810-00120	O RING	2				0.001	0.0022
190	04817-00120	O RING	2		←		0	0
200	31351-39700	ASSY BOLT C/V	1	≤71974			0	0
200	31351-39702	ASSY BOLT C/V	1	≥71975	←		0	0
210	TC050-39000	ASSY VALVE SAFETY	1	≥73629			0	0
220	04810-00160	O RING	1	≥73629			0.001	0.0022
220	04817-00160	O RING	1		←		0	0
230	04815-06280	O RING	1	≥73629			0.001	0.0022
230	04817-06280	O RING	1		←		0.002	0.0044
240	33770-94040	RING BACK UP	1	≥73629			0.002	0.0044

CONTROL VALVE [COMPONENT PARTS] [OLD TYPE]



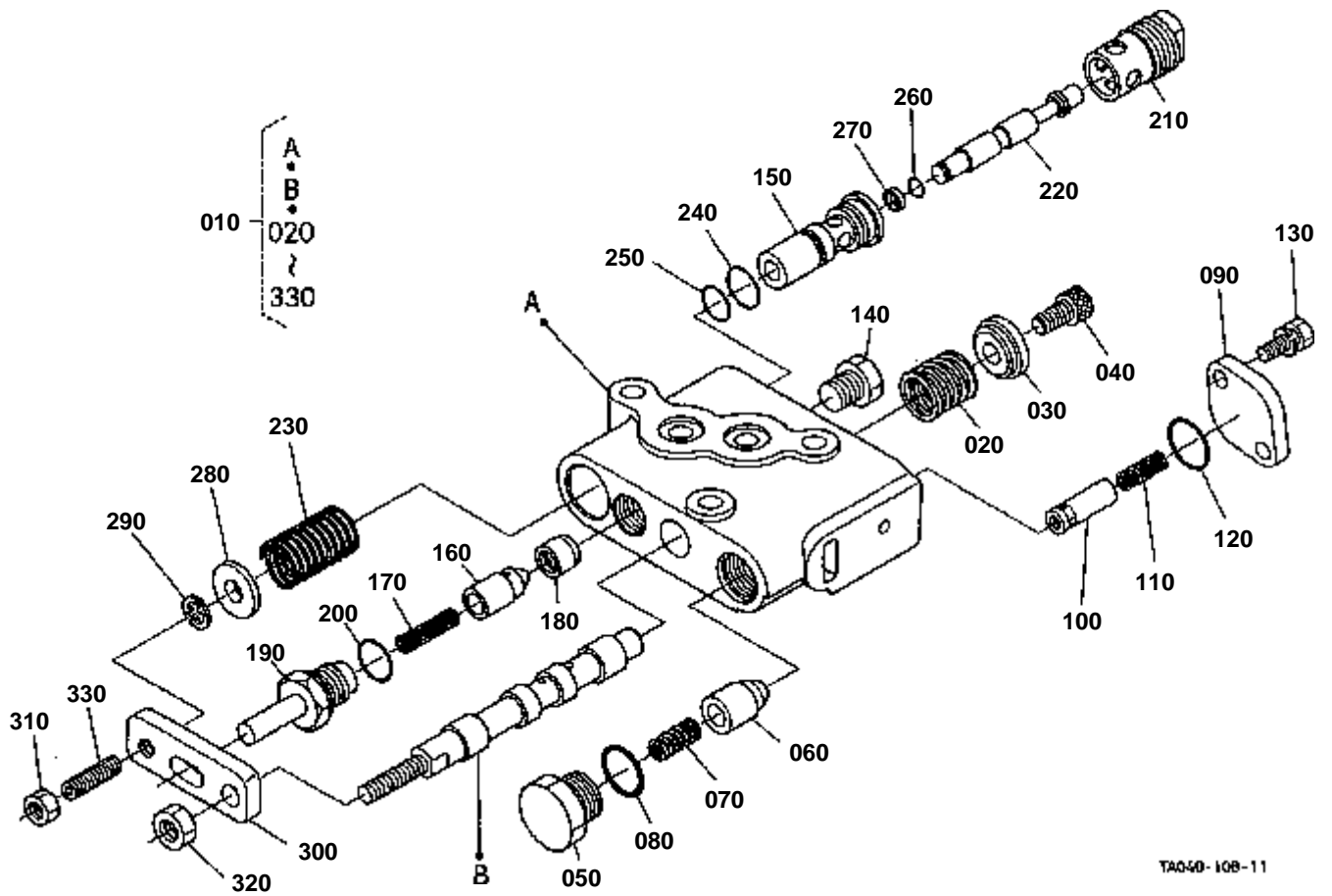


CONTROL VALVE [COMPONENT PARTS] [OLD TYPE]
S.No.;<=71974

↔ Interchangeable; ≠ not interchangeable; ← new for old; → old for new

REF.No	Part No.	Description	Q'ty	S.No.	I/C	REMARKS	Weight (kgf)	Weight (lb)
010	31351-39603	ASSY VALVE CONTROL	1				0	0
020	31351-39630	SPRING SPOOL	1				0.02	0.044
030	31351-39640	HOLDER SPRING	1				0.02	0.044
040	01311-10814	BOLT HEX-SOC-HD	1				0.012	0.0264
050	31351-39650	PLUG	1				0.04	0.088
060	31351-39150	POPPET	1				0.02	0.044
070	67531-38470	SPRING	1				0.001	0.0022
080	04811-00140	O RING	1				0.001	0.0022
090	31351-39660	PLATE	1				0.05	0.11
100	31351-39670	POPPET	1				0.01	0.022
110	31351-39680	SPRING	1				0.01	0.022
120	04811-00160	O RING	1				0.001	0.0022
130	01023-50614	BOLT	2				0.005	0.011
140	31351-39690	PLUG	1				0.05	0.11
150	31391-39180	POPPET	1				0.015	0.033
160	31391-39190	SPRING	1				0.001	0.0022
170	04810-00090	O RING	1				0.001	0.0022
180	31351-39720	PIN FULCRUM	1				0.025	0.055
190	04811-00080	O RING	1				0.001	0.0022
200	31351-39730	PLUG	1				0.05	0.11
210	31351-39180	POPPET	1				0.025	0.055
220	31351-39190	SPRING	1				0.008	0.0176
230	04810-06100	O RING	1				0.001	0.0022
240	04811-00050	O RING	1				0.001	0.0022
250	31351-39290	RING BACK UP	1				0.001	0.0022
260	31351-39740	RETAINER ROD	1				0.005	0.011
270	31351-39750	PLATE JOINT	1				0.05	0.11
280	02156-50080	NUT	2				0.004	0.0088
290	04111-50080	WASHER	2				0.001	0.0022
300	03650-50816	SCREW SET	1				0.01	0.022

CONTROL VALVE [COMPONENT PARTS] [NEW TYPE]



TA040-108-11

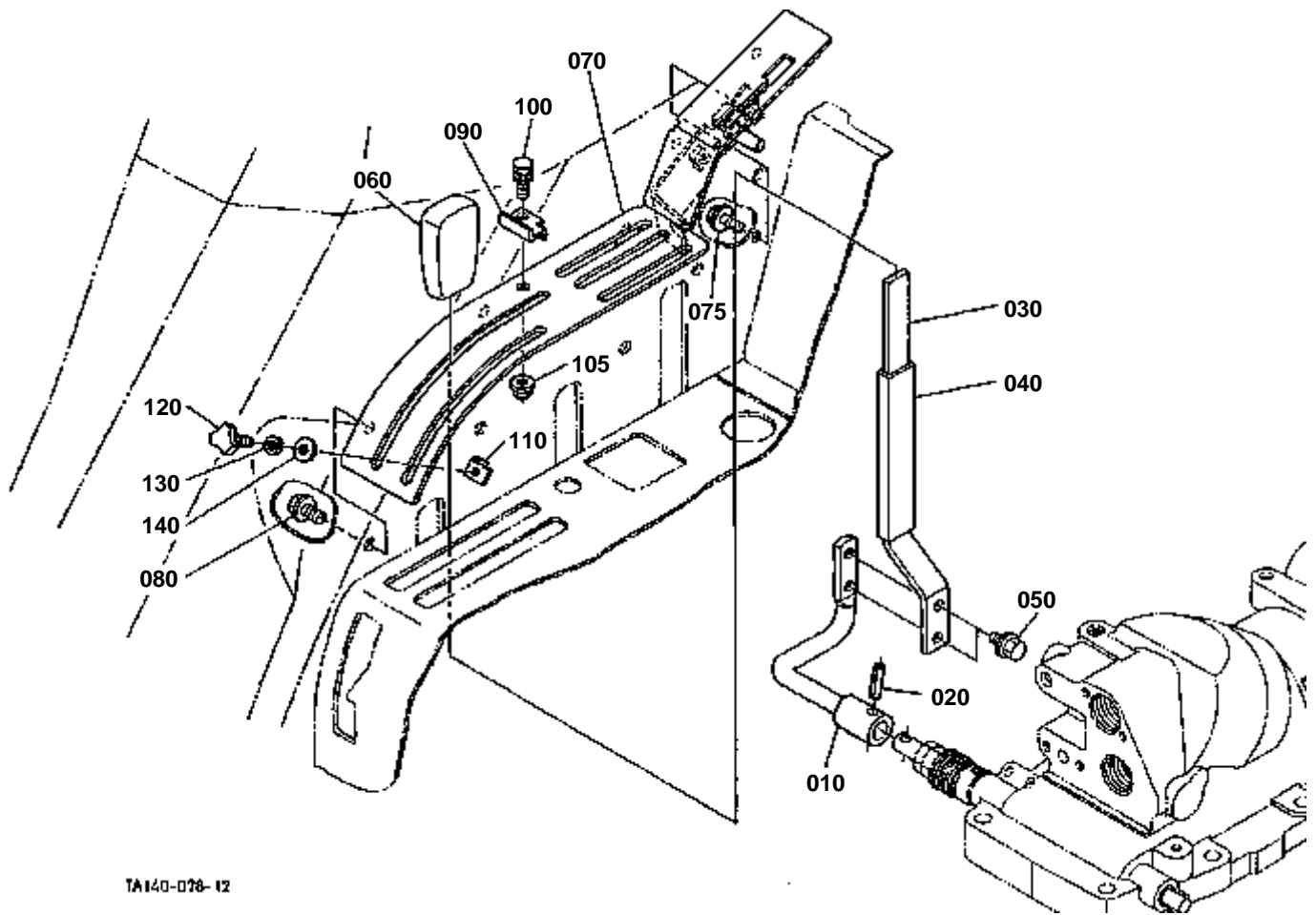


CONTROL VALVE [COMPONENT PARTS] [NEW TYPE]
S.No.;>=71975

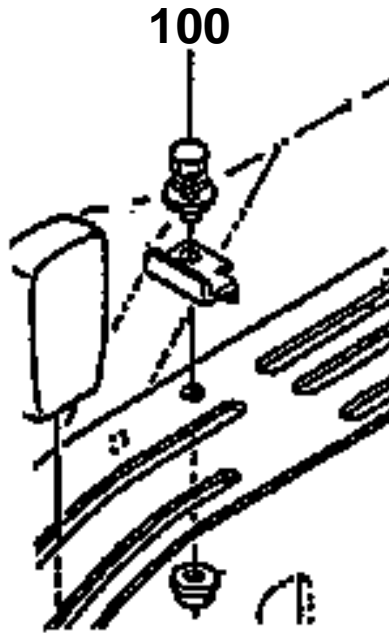
↔ Interchangeable; ≠ not interchangeable; ← new for old; → old for new

REF.No	Part No.	Description	Q'ty	S.No.	I/C	REMARKS	Weight (kgf)	Weight (lb)
010	31351-39604	ASSY VALVE CONTROL	1				0	0
020	31351-39630	SPRING SPOOL	1				0.02	0.044
030	31351-39640	HOLDER SPRING	1				0.02	0.044
040	01311-10814	BOLT HEX-SOC-HD	1				0.012	0.0264
050	31351-39650	PLUG	1				0.04	0.088
060	31351-39150	POPPET	1				0.02	0.044
070	67531-38470	SPRING	1				0.001	0.0022
080	04811-00140	O RING	1				0.001	0.0022
080	04817-00140	O RING	1		←		0	0
090	31351-39660	PLATE	1				0.05	0.11
100	31351-39670	POPPET	1				0.01	0.022
110	31351-39680	SPRING	1				0.01	0.022
120	04811-00160	O RING	1				0.001	0.0022
120	04817-00160	O RING	1		←		0	0
130	01023-50616	BOLT	2				0.005	0.011
140	06331-35010	PLUG	1				0.012	0.0264
150	T0430-37600	SLEEVE	1				0	0
160	T0430-37580	POPPET	1				0	0
170	31391-39190	SPRING	1				0.001	0.0022
180	T0430-37530	SEAT CHECK VALVE	1				0	0
190	31351-37670	PLUG	1				0	0
200	04811-00120	O RING	1				0.001	0.0022
200	04817-00120	O RING	1		←		0	0
210	31351-37620	PLUG	1				0	0
220	T0430-37610	POPPET	1				0	0
230	T0430-37620	SPRING	1				0	0
240	04811-05120	O RING	1				0.001	0.0022
240	04817-05120	O RING	1		←		0	0
250	04811-05110	O RING	1				0.001	0.0022
250	04817-05110	O RING	1		←		0.005	0.011
260	04811-00050	O RING	1				0.001	0.0022
260	04816-00050	O RING	1		←		0.001	0.0022
270	31351-39290	RING BACK UP	1				0.001	0.0022
280	T0430-37640	WASHER PLAIN	1				0	0
290	04613-50060	CIR CLIP EXTERNAL	1				0.001	0.0022
300	31351-39750	PLATE JOINT	1				0.05	0.11
310	02014-50060	NUT	1				0.003	0.0066
320	02114-50080	NUT	1				0.005	0.011
330	03650-50622	SCREW SET	1				0.004	0.0088

POSITION CONTROL LEVER [ROPS TYPE]



100 01125-60816



TA140-865-10

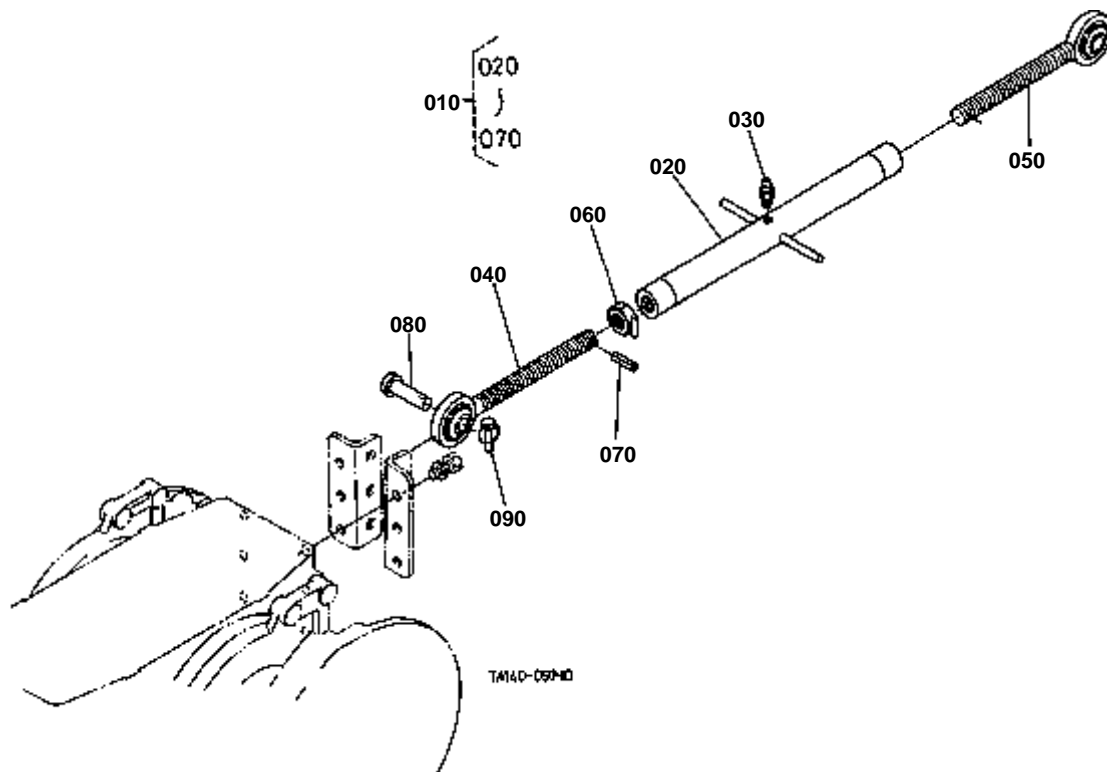


POSITION CONTROL LEVER [ROPS TYPE]
[EXCEPTE TYPE CABINE]

↔ Interchangeable; ≠ not interchangeable; ← new for old; → old for new

REF.No	Part No.	Description	Q'ty	S.No.	I/C	REMARKS	Weight (kgf)	Weight (lb)
010	TA040-36110	LEVER POSITION	1	≤71962		W/O DRAFT	0.276	0.6072
010	TA140-36110	LEVER POSITION	1	≥71963	≠	W/O DRAFT	0	0
020	05411-00525	PIN SPRING	1			W/O DRAFT	0.002	0.0044
030	TA040-36120	LEVER POSITION	1			W/O DRAFT	0.21	0.462
040	TA040-36132	TUBE LEVER	1			W/O DRAFT	0.01	0.022
050	01754-50616	BOLT FLANGE	2			W/O DRAFT	0.006	0.0132
060	52300-32640	GRIP LEVER	1			W/O DRAFT	0.04	0.088
070	TA140-47610	ASSY GUIDE HYD.LEVER	1				0.91	2.002
075	01754-50816	BOLT FLANGE	2				0.011	0.0242
080	01754-50812	BOLT FLANGE	5				0.01	0.022
090	34070-36130	STOPPER	1				0.015	0.033
100	01125-60816	BOLT	1	≤73000			0.01	0.022
100	01123-50816	BOLT	1	≥73001	←		0.011	0.0242
105	02751-50080	NUT FLANGE	1				0.006	0.0132
110	34070-36140	STOPPER	1				0	0
120	01820-50620	BOLT KNOB	1				0.015	0.033
130	04512-60060	WASHER SPRING	1				0.001	0.0022
140	31351-18860	WASHER	1				0.002	0.0044

TOP LINK

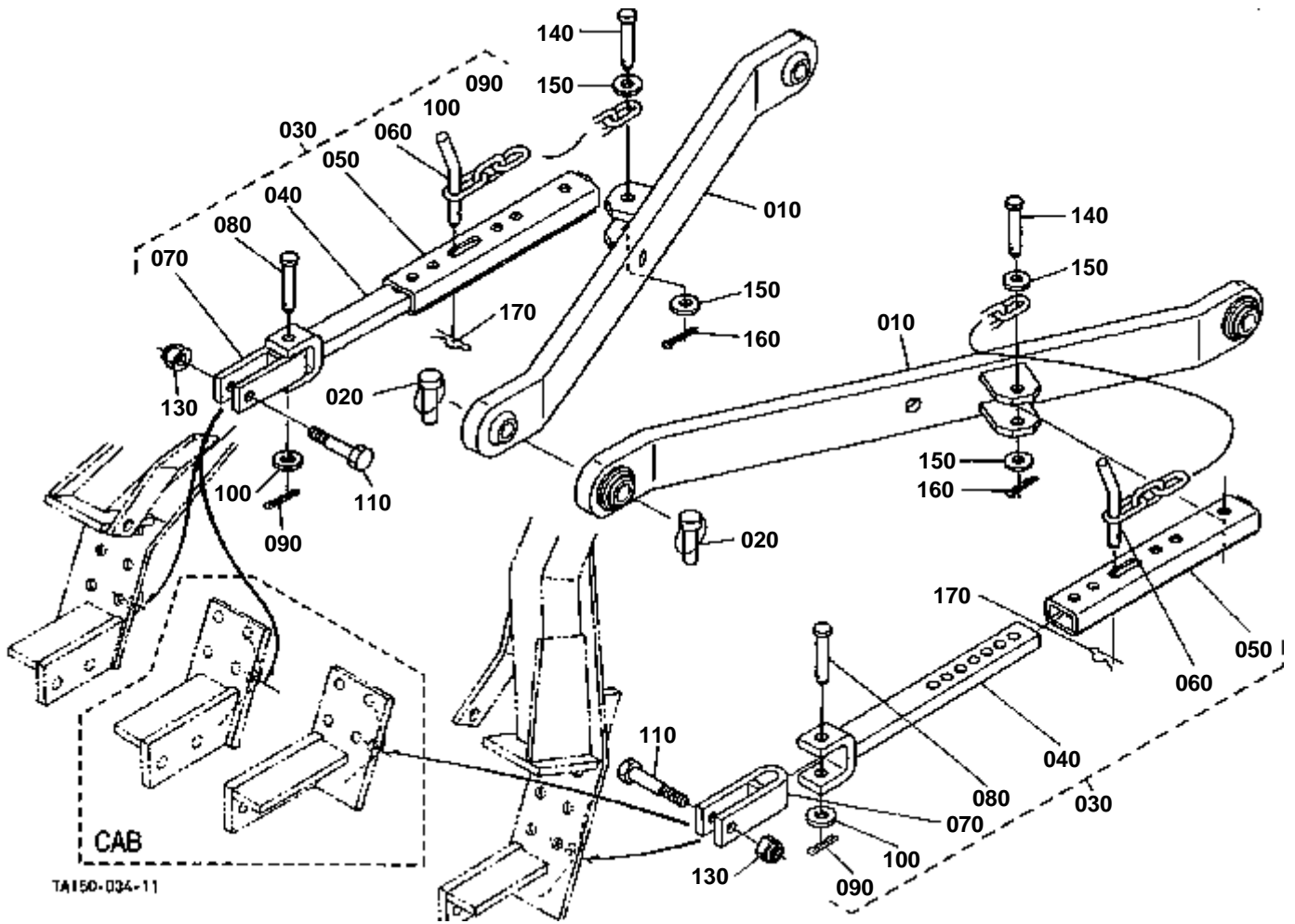


**TOP LINK**

↔ Interchangeable; ≠ not interchangeable; ← new for old; → old for new

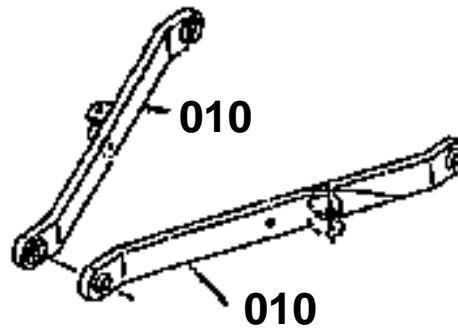
REF.No	Part No.	Description	Q'ty	S.No.	I/C	REMARKS	Weight (kgf)	Weight (lb)
010	35080-71100	ASSY LINK TOP	1				3.6	7.92
020	35340-71113	LINK TOP	1				1.265	2.783
030	67211-42940	NIPPLE GREASE	1				0.001	0.0022
040	35340-71210	JOINT TOP LINK	1				1.06	2.332
050	35340-71220	JOINT TOP LINK	1				1.06	2.332
060	32244-71180	NUT TOP LINK	1				0.057	0.1254
070	05411-00430	PIN SPRING	2				0.002	0.0044
080	31150-71360	PIN JOINT	2				0.166	0.3652
090	34150-37640	PIN SET	2				0.06	0.132

3-POINT LINKAGE 1(LOWER LINK) [OLD TYPE]



TA150-034-11

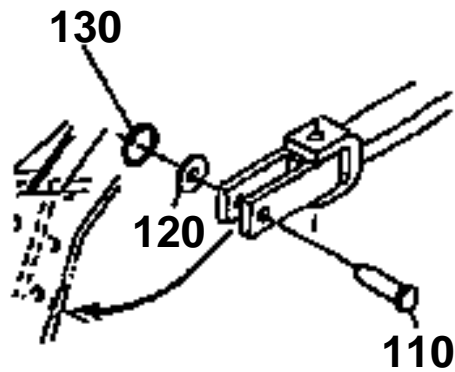
010 TA140-7131-2



110 TA140-3981-0

120 04013-50120

130 67516-3434-0



TA150-809-10

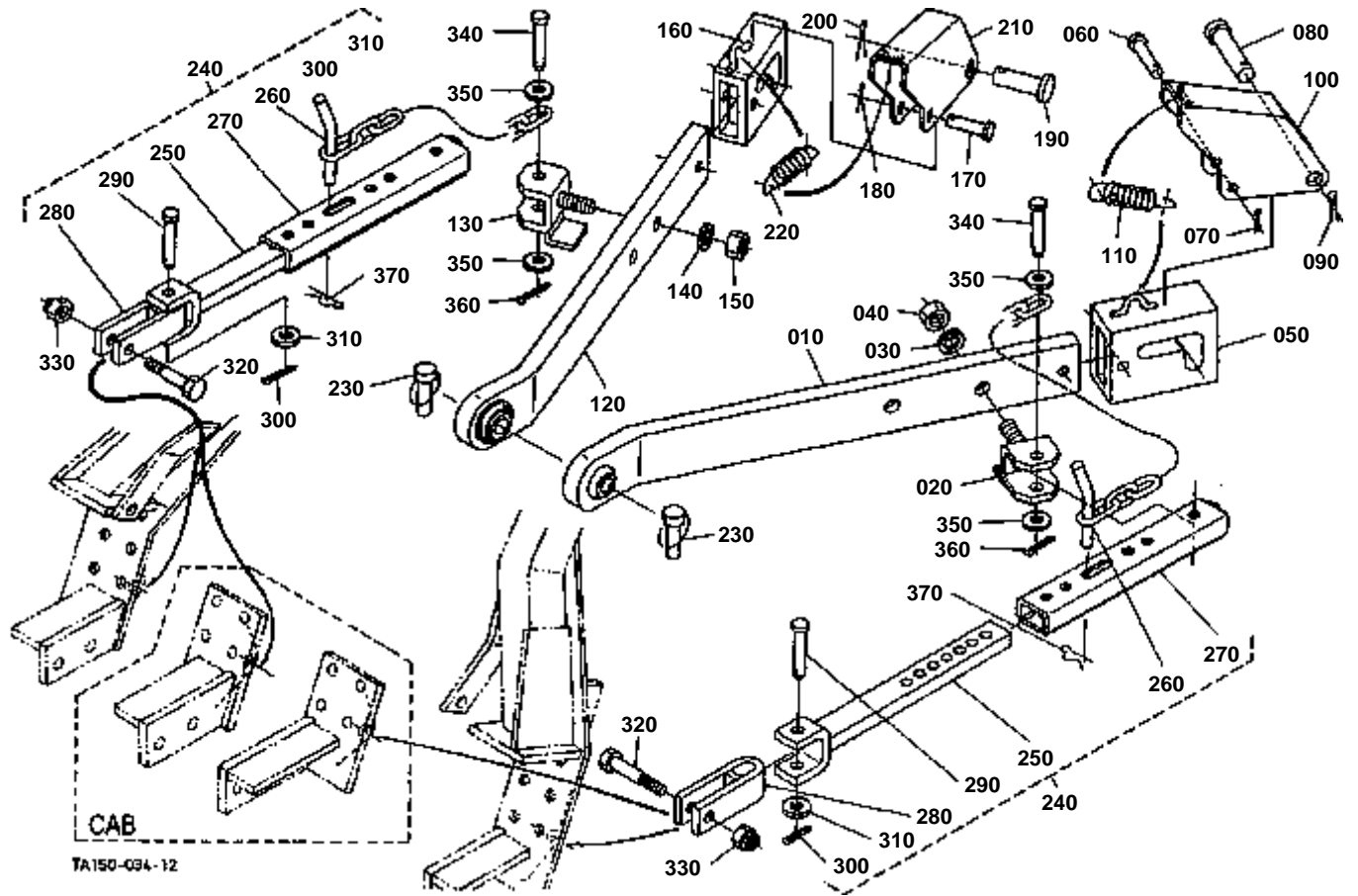


3-POINT LINKAGE 1(LOWER LINK) [OLD TYPE]
S.No.;<=72663

↔ Interchangeable; ≠ not interchangeable; ← new for old; → old for new

REF.No	Part No.	Description	Q'ty	S.No.	I/C	REMARKS	Weight (kgf)	Weight (lb)
010	TA140-71312	COMP.LINK LOWER	2	<=72557			0	0
010	TA140-71313	COMP.LINK LOWER	2	>=72558	←		0	0
020	34150-37640	PIN SET	2				0.06	0.132
030	TA140-39600	ASSY STABILIZER	2	<=69999			0	0
030	TA140-39604	ASSY STABILIZER	2	>=70001	←		2.85	6.27
040	TA140-39610	COMP.STAB.FRONT	2				1.17	2.574
050	TA140-39620	COMP.STAB.BEAR	2				0.895	1.969
060	TA140-39630	COMP.JOINT	2				0.23	0.506
070	TA140-39643	COMP.JOINT	2				0.48	1.056
080	05122-51265	PIN JOINT	2	<=69999			0.06	0.132
080	TA140-39820	PIN STABILIZER REAR	2	>=70001	←		0.064	0.1408
090	05511-50428	PIN SPLIT	2				0.004	0.0088
100	04011-50120	WASHER PLAIN	2				0.005	0.011
110	TA140-39810	PIN STABILIZER	2	<=70015			0	0
110	TA140-39850	BOLT STABILIZER	2	>=70016	←		0.06	0.132
120	04013-60120	WASHER PLAIN	2	<=70015			0.01	0.022
130	67156-34340	RING SNAP	2	<=70015			0.01	0.022
130	02576-50120	NUT LOCK	2	>=70016	≠		0.011	0.0242
140	TA140-39820	PIN STABILIZER REAR	2				0.064	0.1408
150	04011-50120	WASHER PLAIN	4				0.005	0.011
160	05511-50425	PIN SPLIT	2				0.003	0.0066
170	05515-61200	PIN SNAP	2				0.005	0.011

3-POINT LINKAGE 1 (LOWER LINK) [NEW TYPE]



TA150-094-12



3-POINT LINKAGE 1 (LOWER LINK) [NEW TYPE]
S.No.;>=72664

↔ Interchangeable; ≠ not interchangeable; ← new for old; → old for new

REF.No	Part No.	Description	Q'ty	S.No.	I/C	REMARKS	Weight (kgf)	Weight (lb)
010	TA140-71360	COMP.LINK LOWER LH	1				7.3	16.06
020	TA140-71350	BRACKET	1				0.65	1.43
030	04512-60160	WASHER SPRING	1				0.01	0.022
040	02074-50160	NUT	1				0.029	0.0638
050	TA140-71380	LINK LOWER REAR LH	1				1.85	4.07
060	05122-50645	PIN JOINT	1				0.01	0.022
070	05511-51615	PIN SPLIT	1				0.001	0.0022
080	TA140-71400	PIN	1				0.085	0.187
090	05511-50530	PIN SPLIT	1				0.006	0.0132
100	TA140-71410	LEVER	1				0.34	0.748
110	33660-92170	SPRING	1				0.02	0.044
120	TA140-71370	COMP.LINK LOWER RH	1				7.3	16.06
130	TA140-71350	BRACKET	1				0.65	1.43
140	04512-60160	WASHER SPRING	1				0.01	0.022
150	02074-50160	NUT	1				0.029	0.0638
160	TA140-71390	LINK LOWER REAR RH	1				1.85	4.07
170	05122-50645	PIN JOINT	1				0.01	0.022
180	05511-51615	PIN SPLIT	1				0.001	0.0022
190	TA140-71400	PIN	1				0.085	0.187
200	05511-50530	PIN SPLIT	1				0.006	0.0132
210	TA140-71410	LEVER	1				0.34	0.748
220	33660-92170	SPRING	1				0.02	0.044
230	34150-37640	PIN SET	2				0.06	0.132
240	TA140-39604	ASSY STABILIZER	2				2.85	6.27
250	TA140-39610	COMP.STAB.FRONT	2				1.17	2.574
260	TA140-39620	COMP.STAB.BEAR	2				0.895	1.969
270	TA140-39630	COMP.JOINT	2				0.23	0.506
280	TA140-39643	COMP.JOINT	2				0.48	1.056
290	TA140-39820	PIN STABILIZER REAR	2				0.064	0.1408
300	05511-50428	PIN SPLIT	2				0.004	0.0088
310	04011-50120	WASHER PLAIN	2				0.005	0.011
320	TA140-39850	BOLT STABILIZER	2				0.06	0.132
330	02576-50120	NUT LOCK	2	<=73371			0.011	0.0242
330	02572-50120	NUT SELF-LOCKING	2	>=73372	←		0.014	0.0308
340	TA140-39820	PIN STABILIZER REAR	2				0.064	0.1408
350	04011-50120	WASHER PLAIN	4				0.005	0.011
360	05511-50425	PIN SPLIT	2				0.003	0.0066
370	05515-61200	PIN SNAP	2	<=73190			0.005	0.011
370	TC050-51200	PIN SNAP	2	>=73191	←		0	0

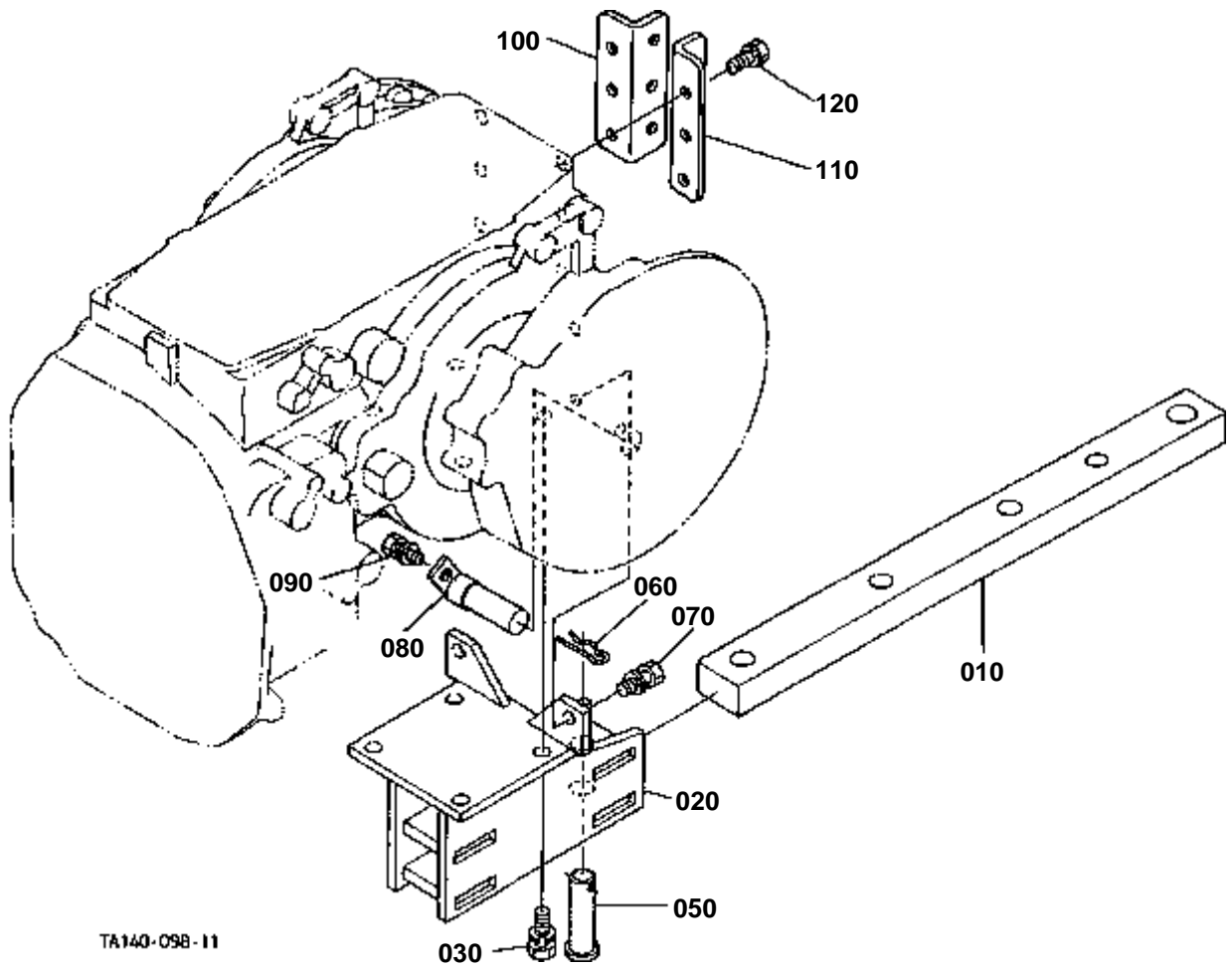


3-POINT LINKAGE 2(LIFT ROD)

↔ Interchangeable; ≠ not interchangeable; ← new for old; → old for new

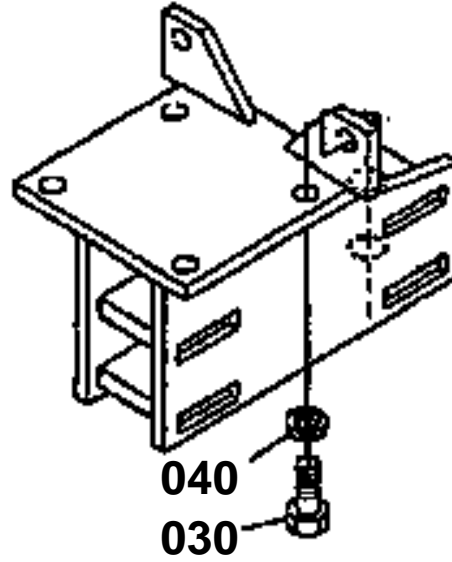
REF.No	Part No.	Description	Q'ty	S.No.	I/C	REMARKS	Weight (kgf)	Weight (lb)
010	TA140-39500	ASSY ROD	1				3.5	7.7
020	TA140-39520	ROD LIFT LOWER	1				0.96	2.112
030	99999-99999	BLANK	0				0	0
040	31351-71570	JOINT GEAR CASE	1				0.475	1.045
050	TA140-39550	PIN LIFT ROD	1				0.11	0.242
060	05411-00532	PIN SPRING	1				0.003	0.0066
070	31351-71710	CASE LIFT ROD GEAR	1				0.85	1.87
080	31351-71660	HANDLE LIFT ROD	1				0.235	0.517
090	TA140-39530	GEAR LIFT ROD	1				0.345	0.759
100	TA140-39540	GEAR LIFT ROD	1				0.1	0.22
110	31351-71670	WASHER PLAIN	1				0.002	0.0044
120	05411-00622	PIN SPRING	2				0.003	0.0066
130	31220-71720	SHIM	3				0.001	0.0022
140	32294-71770	BEARING THRUST BALL	1				0.073	0.1606
150	06311-75045	PLUG EXPANSION	1				0.026	0.0572
160	32244-71730	STOPPER HANDLE	1				0.027	0.0594
170	06613-10675	NIPPLE GREASE	2				0.003	0.0066
180	31351-71700	PIPE	1				0.2	0.44
190	01202-50612	BOLT	1				0.005	0.011
200	05411-00320	PIN SPRING	1				0.001	0.0022
210	35080-71540	ROD LIFT LH	1				1.6	3.52
220	38747-71582	PIN LIFT ROD	2				0.1	0.22
230	67156-34340	RING SNAP	2				0.01	0.022

DRAWBAR



TA140-098-11

030 01176-51430
040 04512-60140

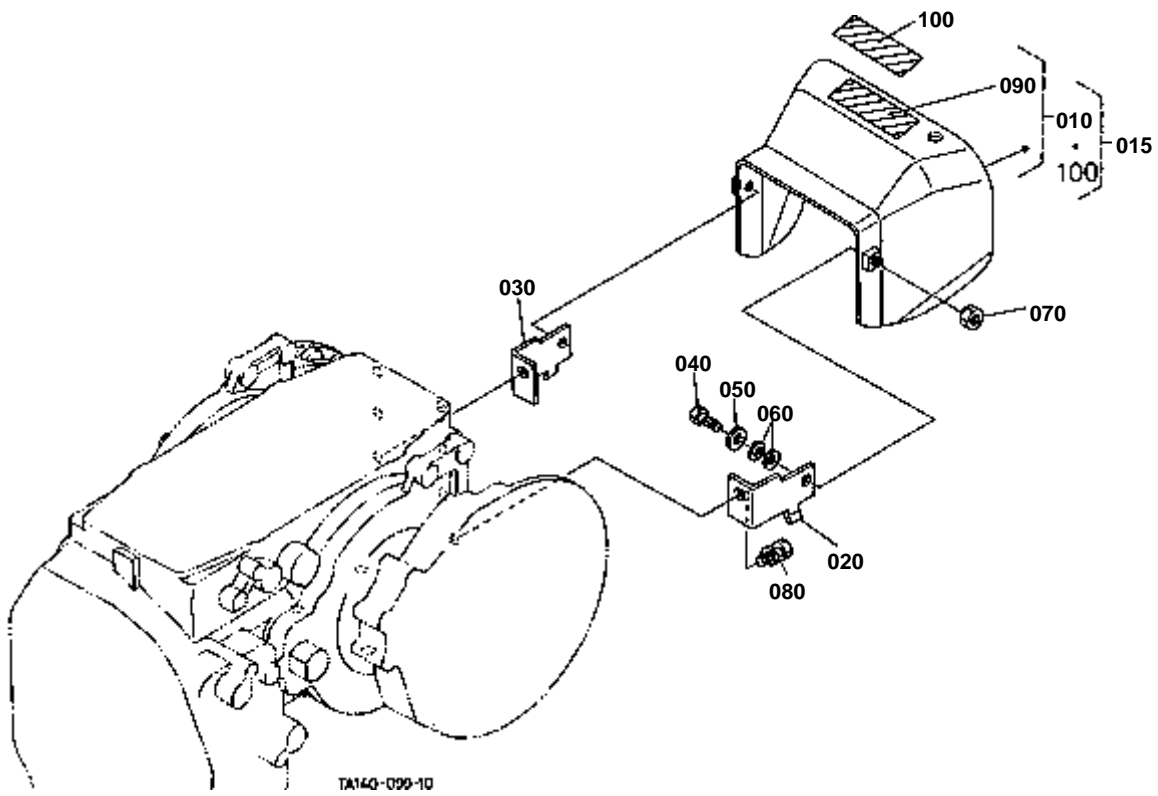


TA150-815-10

**DRAWBAR**

↔ Interchangeable; ≠ not interchangeable; ← new for old; → old for new

REF.No	Part No.	Description	Q'ty	S.No.	I/C	REMARKS	Weight (kgf)	Weight (lb)
010	35070-29710	DRAWBAR	1				6.7	14.74
020	TA040-29730	FRAME DRAWBAR	1				6.2	13.64
030	01176-51430	BOLT	4	≤72399			0.052	0.1144
030	01138-51430	BOLT	4	≥72400	←		0	0
040	04512-60140	WASHER SPRING	4	≤72399			0.006	0.0132
050	05122-52070	PIN JOINT	1				0.186	0.4092
060	05515-51600	PIN SNAP	1				0.007	0.0154
070	01133-51230	BOLT	2				0.04	0.088
080	TA040-39410	PIN LOWER LINK	2	≤72630			0	0
080	TA040-39412	PIN LOWER LINK	2	≥72631	←		0	0
090	01133-51020	BOLT	2				0.02	0.044
100	99571-22140	HOLDER TOP LINK RH	1			W/O DRAFT	0.99	2.178
110	99571-22150	HOLDER TOP LINK LH	1			W/O DRAFT	0.99	2.178
120	01133-51230	BOLT	6			W/O DRAFT	0.04	0.088



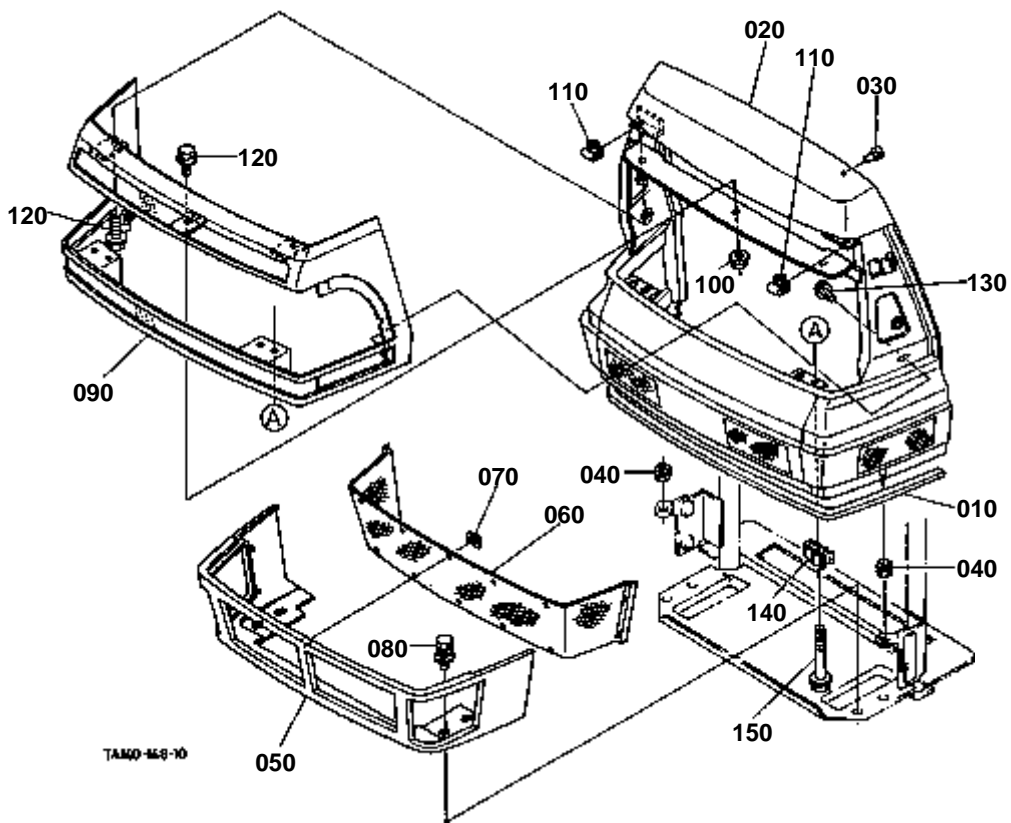


PTO PROTECTOR [ROPS TYPE]

↔ Interchangeable; ≠ not interchangeable; ← new for old; → old for new

REF.No	Part No.	Description	Q'ty	S.No.	I/C	REMARKS	Weight (kgf)	Weight (lb)
010	TA140-99570	KIT COVER PTO (A)	1			ENGLISH	2.1	4.62
015	TA141-99570	KIT COVER PTO (B)	1			FRENCH	2.1	4.62
020	TA040-23752	STAY	1				0.19	0.418
030	TA040-23762	STAY	1				0.19	0.418
040	01173-51025	BOLT	2				0.021	0.0462
050	04013-60100	WASHER PLAIN	2				0.004	0.0088
060	62151-42412	SPRING PLATE	4				0.002	0.0044
070	02116-50100	NUT	2				0.004	0.0088
080	01133-51225	BOLT	2				0.038	0.0836
090	TA040-49590	LABEL PTO WARNING	1			ENGLISH	0.002	0.0044
100	TA041-49590	LABEL PTO WARNING	1			FRENCH	0.005	0.011

FRONT GRILLE

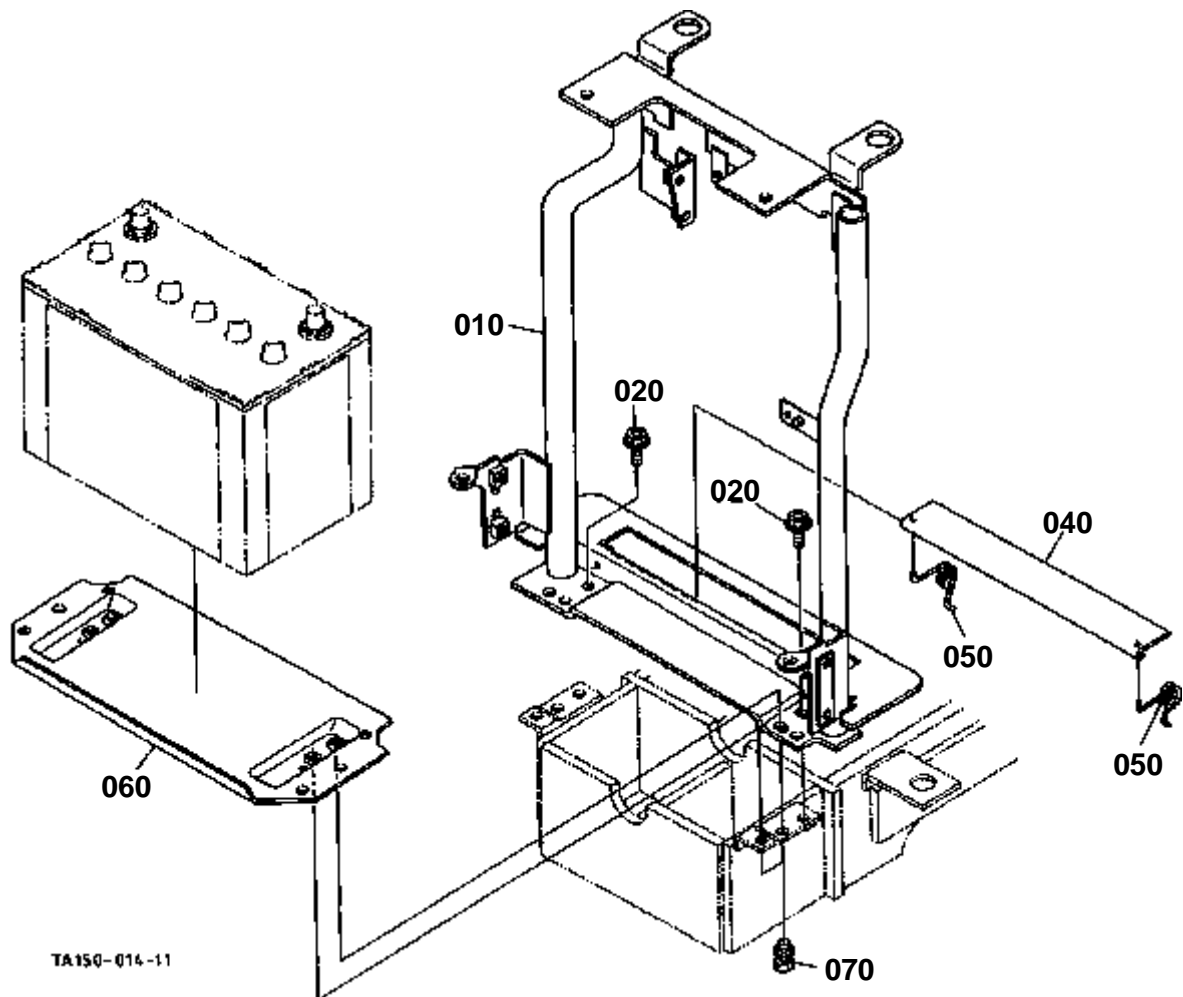




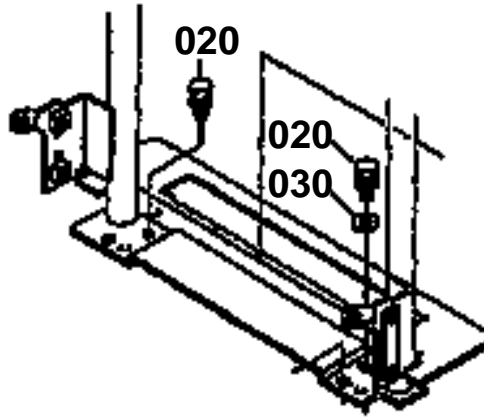
FRONT GRILLE

↔ Interchangeable; ≠ not interchangeable; ← new for old; → old for new

REF.No	Part No.	Description	Q'ty	S.No.	I/C	REMARKS	Weight (kgf)	Weight (lb)
010	34070-40642	SPONGE	1				0.01	0.022
020	T0270-41014	GRILLE FRONT	1				2.8	6.16
030	36330-83120	CUSHION	2				0.001	0.0022
040	66591-54580	RUBBER RELEASE ROD	2				0.003	0.0066
050	TA040-41062	COVER FRONT	1				0.25	0.55
060	TA040-41070	NET	1				0.115	0.253
070	55611-44190	NUT	14				0.004	0.0088
080	01125-60816	BOLT	4				0.01	0.022
090	TA140-41830	GRILLE RADIATOR	1				0.62	1.364
100	02751-50060	NUT FLANGE	1				0.005	0.011
110	38240-29250	NUT SPRING	2				0.005	0.011
120	30400-19060	BOLT FLANGE	3				0.006	0.0132
130	01754-50612	BOLT FLANGE	2				0.005	0.011
140	T0270-41910	SPACER	2				0.006	0.0132
150	01754-50670	BOLT FLANGE	2				0.015	0.033



020 01123-50820
030 04012-50080



TA150-820-10

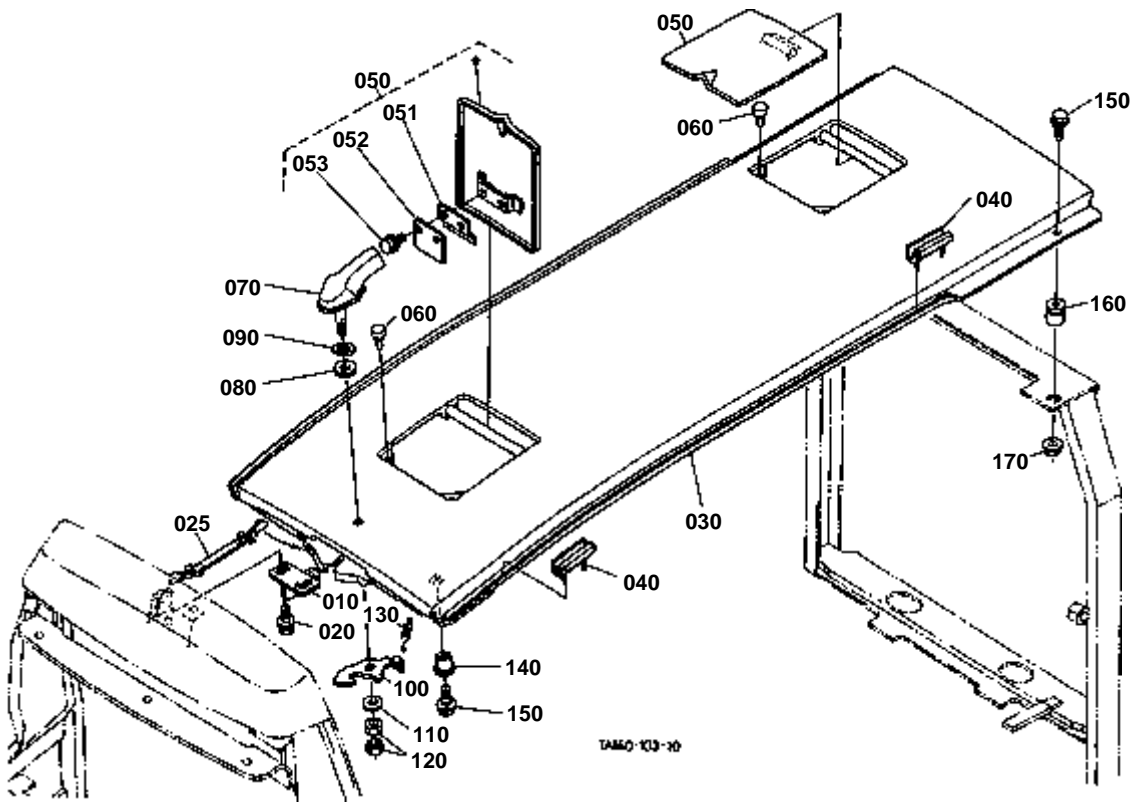


FRONT GRILLE SUPPORT [HST TYPE] [ROPS TYPE]
[EXCEPTE TYPE CABINE]

↔ Interchangeable; ≠ not interchangeable; ← new for old; → old for new

REF.No	Part No.	Description	Q'ty	S.No.	I/C	REMARKS	Weight (kgf)	Weight (lb)
010	TA240-40016	SUPPORT FRONT	1	≤70404			0	0
010	TA240-40017	SUPPORT FRONT	1	≥70405	←		0	0
020	01123-50820	BOLT	2	≤72515			0.011	0.0242
020	01754-50820	BOLT FLANGE	2	≥72516	←		0.015	0.033
030	04012-50080	WASHER PLAIN	1	≤72515			0.001	0.0022
040	TA040-40024	SHUTTER	1				0.25	0.55
050	TA040-40033	SPRING	2				0.005	0.011
060	TA040-14213	SUPPORT	1				1.3	2.86
070	01123-50820	BOLT	4				0.011	0.0242

HOOD(BONNET) [ROPS TYPE]

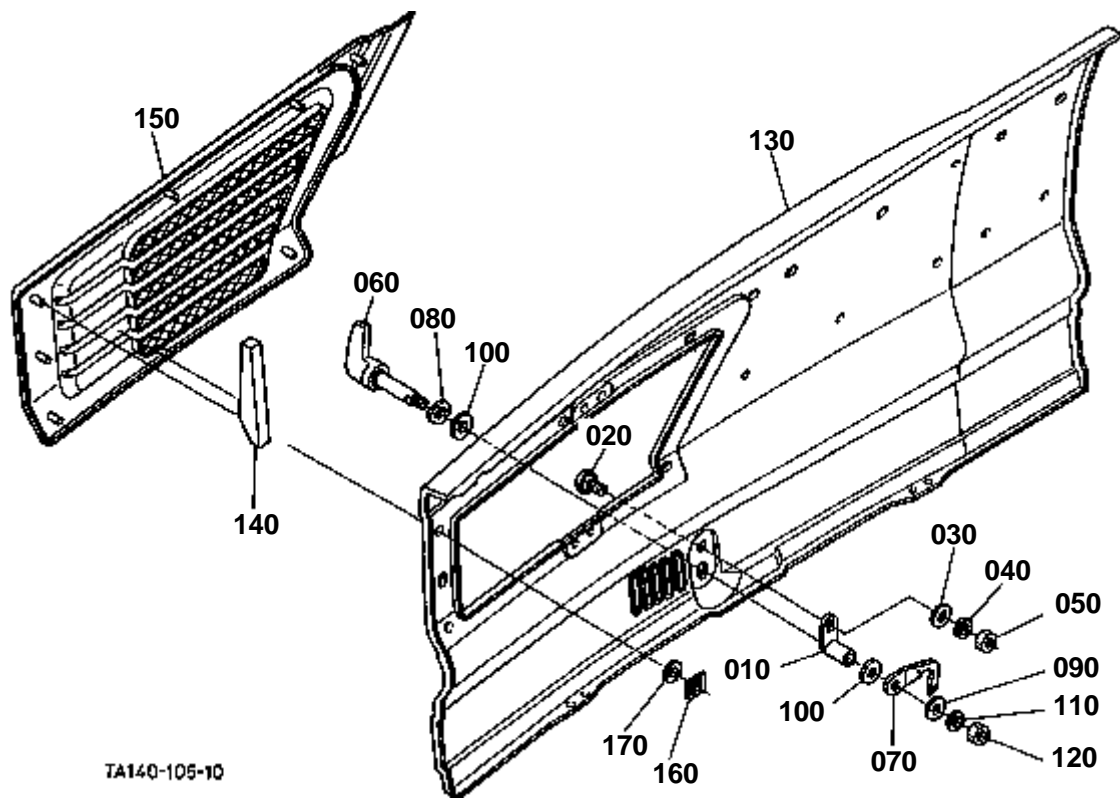


**HOOD(BONNET) [ROPS TYPE]**

↔ Interchangeable; ≠ not interchangeable; ← new for old; → old for new

REF.No	Part No.	Description	Q'ty	S.No.	I/C	REMARKS	Weight (kgf)	Weight (lb)
010	34070-41210	STRIKER FRONT GRILLE	1				0.05	0.11
020	01125-60816	BOLT	2				0.01	0.022
025	33740-83290	SUSPENDER	1				0.03	0.066
030	TA040-41313	COMP.BONNET	1				5.9	12.98
040	TA040-18620	CUSHION	4				0.01	0.022
050	34070-41463	COVER BONNET	2				0.21	0.462
051	30400-94080	SPRING BONNET COVER	2				0.012	0.0264
052	30400-94092	SPRING BONNET COVER	2				0.015	0.033
053	01754-50616	BOLT FLANGE	4				0.006	0.0132
060	36330-83120	CUSHION	4				0.001	0.0022
070	T0070-41560	HANDLE MASCOT	1				0.085	0.187
080	33251-83850	WASHER HANDLE	1				0.001	0.0022
090	33251-83950	WASHER SPRING	1				0.001	0.0022
100	34070-41220	LOCK FRONT GRILLE	1				0.05	0.11
110	04012-50080	WASHER PLAIN	1				0.001	0.0022
120	02114-50080	NUT	2				0.005	0.011
130	36330-83420	SPRING LOCK	1				0.006	0.0132
140	34070-41610	NUT CUSHION	2				0.01	0.022
150	01754-50820	BOLT FLANGE	4				0.015	0.033
160	34070-41630	CUSHION RUBBER	2				0.005	0.011
170	02751-50080	NUT FLANGE	2				0.006	0.0132

HOOD(BONNET) SIDE RH



TA140-105-10

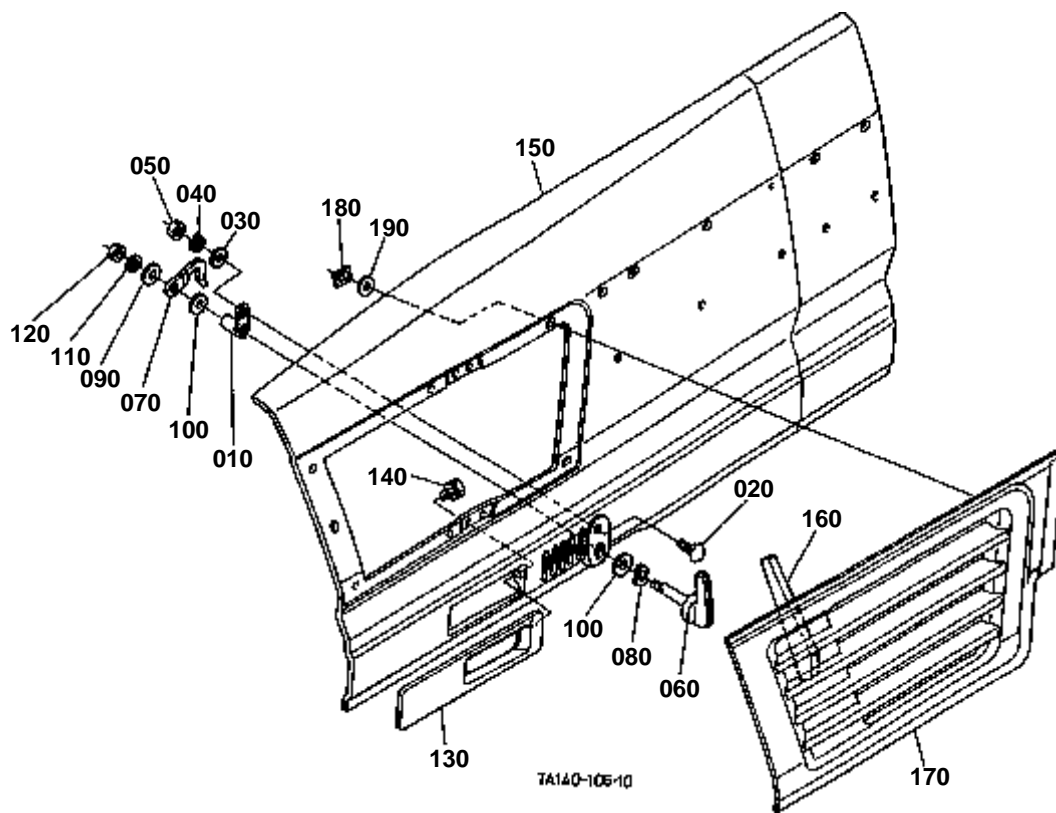


HOOD(BONNET) SIDE RH

↔ Interchangeable; ≠ not interchangeable; ← new for old; → old for new

REF.No	Part No.	Description	Q'ty	S.No.	I/C	REMARKS	Weight (kgf)	Weight (lb)
010	T0070-40250	HOLDER	1				0.053	0.1166
020	34070-41162	BOLT	1				0.01	0.022
030	04012-50080	WASHER PLAIN	1				0.001	0.0022
040	04512-60080	WASHER SPRING	1				0.002	0.0044
050	02114-50080	NUT	1				0.005	0.011
060	T0070-40260	GRIP HANDLE	1				0.075	0.165
070	T0270-40270	HOOK BONNET	1				0.055	0.121
080	33251-83950	WASHER SPRING	1				0.001	0.0022
090	04012-50080	WASHER PLAIN	1				0.001	0.0022
100	33251-83850	WASHER HANDLE	2				0.001	0.0022
110	04512-60080	WASHER SPRING	1				0.002	0.0044
120	02114-50080	NUT	1				0.005	0.011
130	T0320-41320	BONNET SIDE RH	1				5	11
140	TA140-40680	SHIELD SIDE COVER	1				0.017	0.0374
150	TA140-41890	GLILLE RH	1				0.51	1.122
160	55611-44190	NUT	8				0.004	0.0088
170	30400-65040	PLATE WASHER	8				0.001	0.0022

HOOD(BONNET) SIDE LH



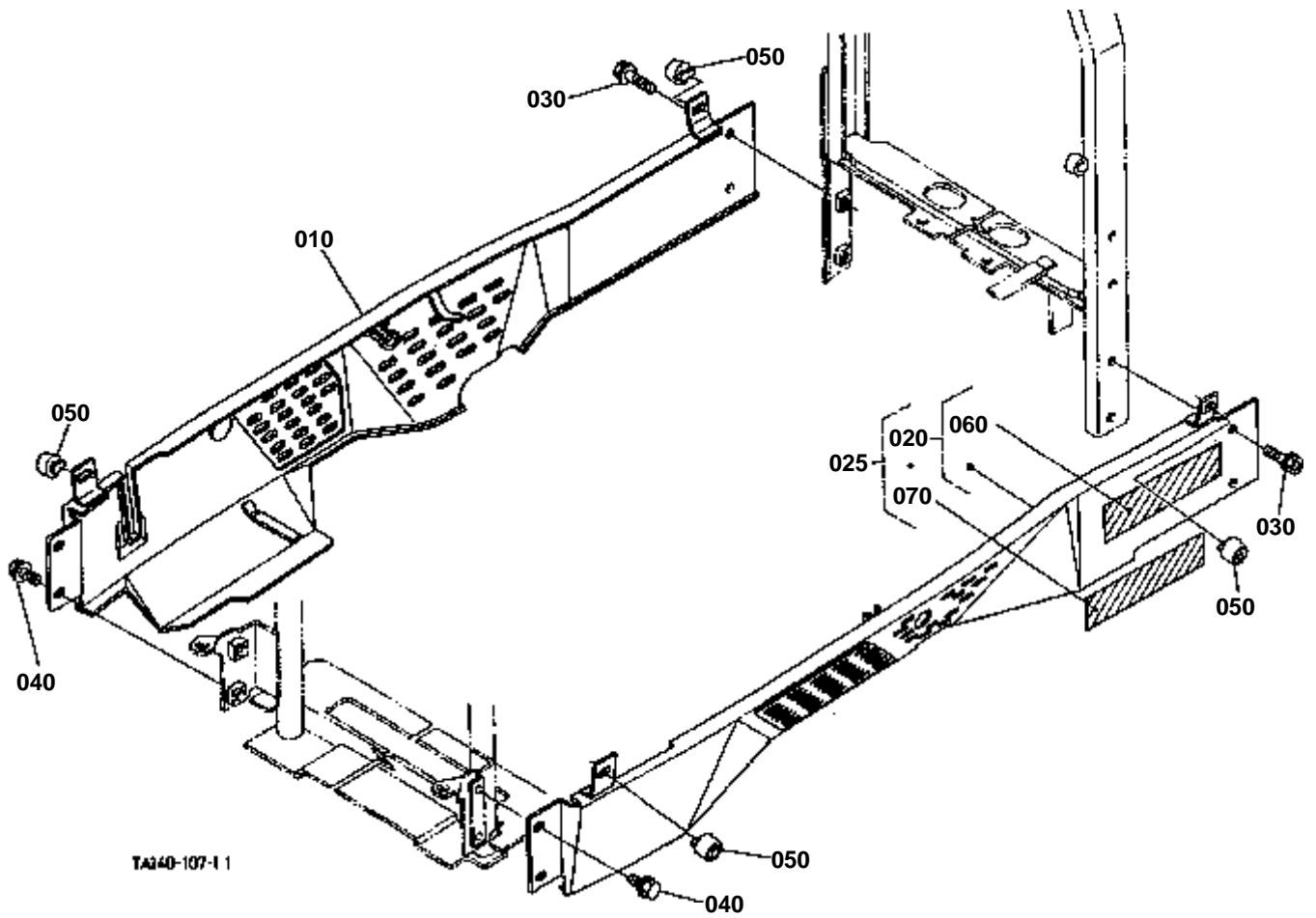


HOOD(BONNET) SIDE LH

↔ Interchangeable; ≠ not interchangeable; ← new for old; → old for new

REF.No	Part No.	Description	Q'ty	S.No.	I/C	REMARKS	Weight (kgf)	Weight (lb)
010	T0320-40250	HOLDER	1				0.08	0.176
020	34070-41162	BOLT	1				0.01	0.022
030	04012-50080	WASHER PLAIN	1				0.001	0.0022
040	04512-60080	WASHER SPRING	1				0.002	0.0044
050	02114-50080	NUT	1				0.005	0.011
060	T0070-40260	GRIP HANDLE	1				0.075	0.165
070	T0270-40280	HOOK BONNET	1				0.055	0.121
080	33251-83950	WASHER SPRING	1				0.001	0.0022
090	04012-50080	WASHER PLAIN	1				0.001	0.0022
100	33251-83850	WASHER HANDLE	2				0.001	0.0022
110	04512-60080	WASHER SPRING	1				0.002	0.0044
120	02114-50080	NUT	1				0.005	0.011
130	T0120-40530	COVER MUFFLER PIPE	1				0.14	0.308
140	01023-50610	BOLT	2				0.005	0.011
150	T0320-41330	BONNET SIDE LH	1				5	11
160	TA140-40680	SHIELD SIDE COVER	1				0.017	0.0374
170	TA140-41880	GLILLE LH	1				0.51	1.122
180	55611-44190	NUT	8				0.004	0.0088
190	30400-65040	PLATE WASHER	8				0.001	0.0022

SIDE COVER LOWER [ROPS TYPE]

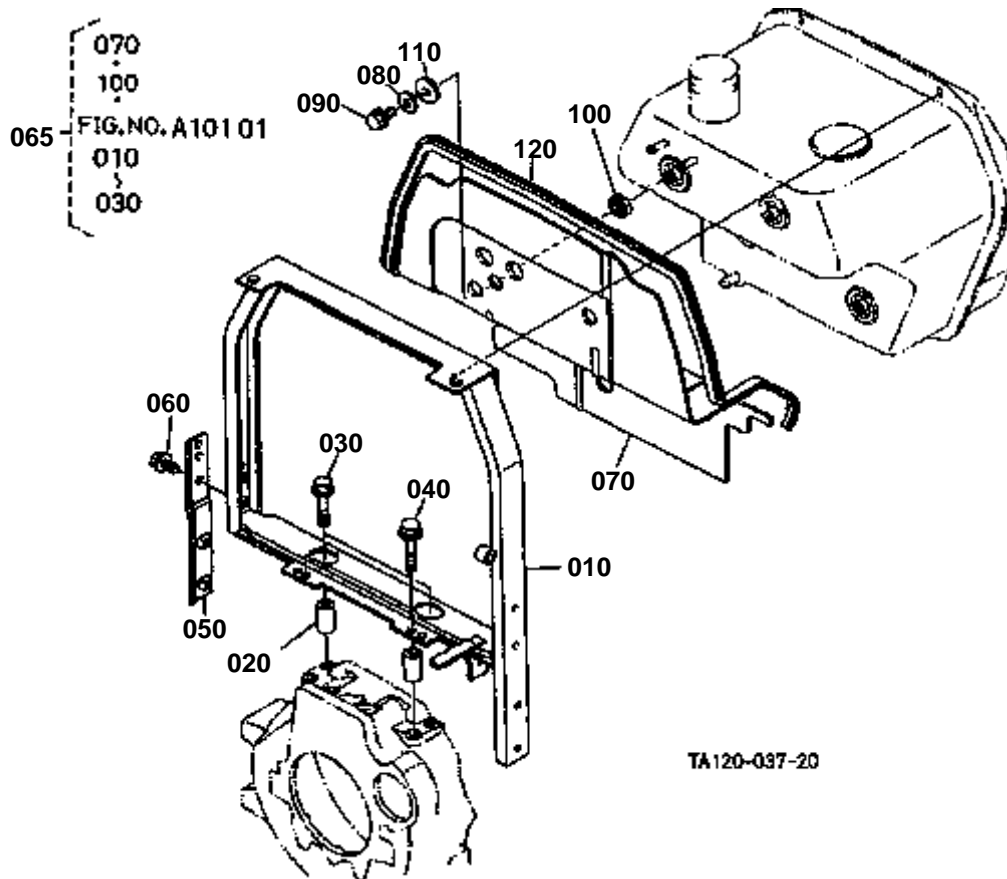


**SIDE COVER LOWER [ROPS TYPE]**

↔ Interchangeable; ≠ not interchangeable; ← new for old; → old for new

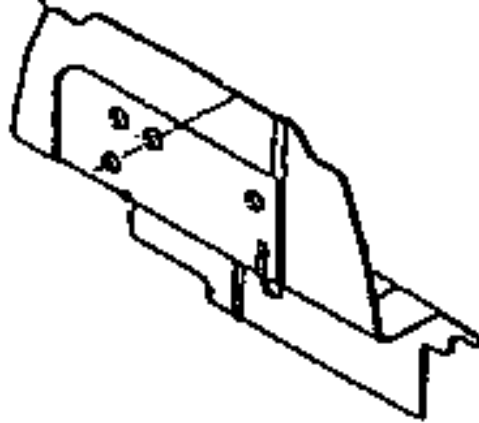
REF.No	Part No.	Description	Q'ty	S.No.	I/C	REMARKS	Weight (kgf)	Weight (lb)
010	TA150-41360	COVER RH	1				0	0
020	TA140-99560	KIT COVER LH(A)	1			ENGLISH	2.2	4.84
025	TA141-99560	KIT COVER LH(B)	1			FRENCH	2.2	4.84
030	34070-41130	BOLT FLANGE	4				0.015	0.033
040	01754-50816	BOLT FLANGE	4				0.011	0.0242
050	30400-17980	RUBBER BLOCK	4				0.01	0.022
060	TA040-49650	LABEL START CAUTION	1			ENGLISH	0.004	0.0088
070	TA041-49650	LABEL START CAUTION	1			FRENCH	0.004	0.0088

SHUTTER PLATE [ROPS TYPE]



070 34070-4211-5

070

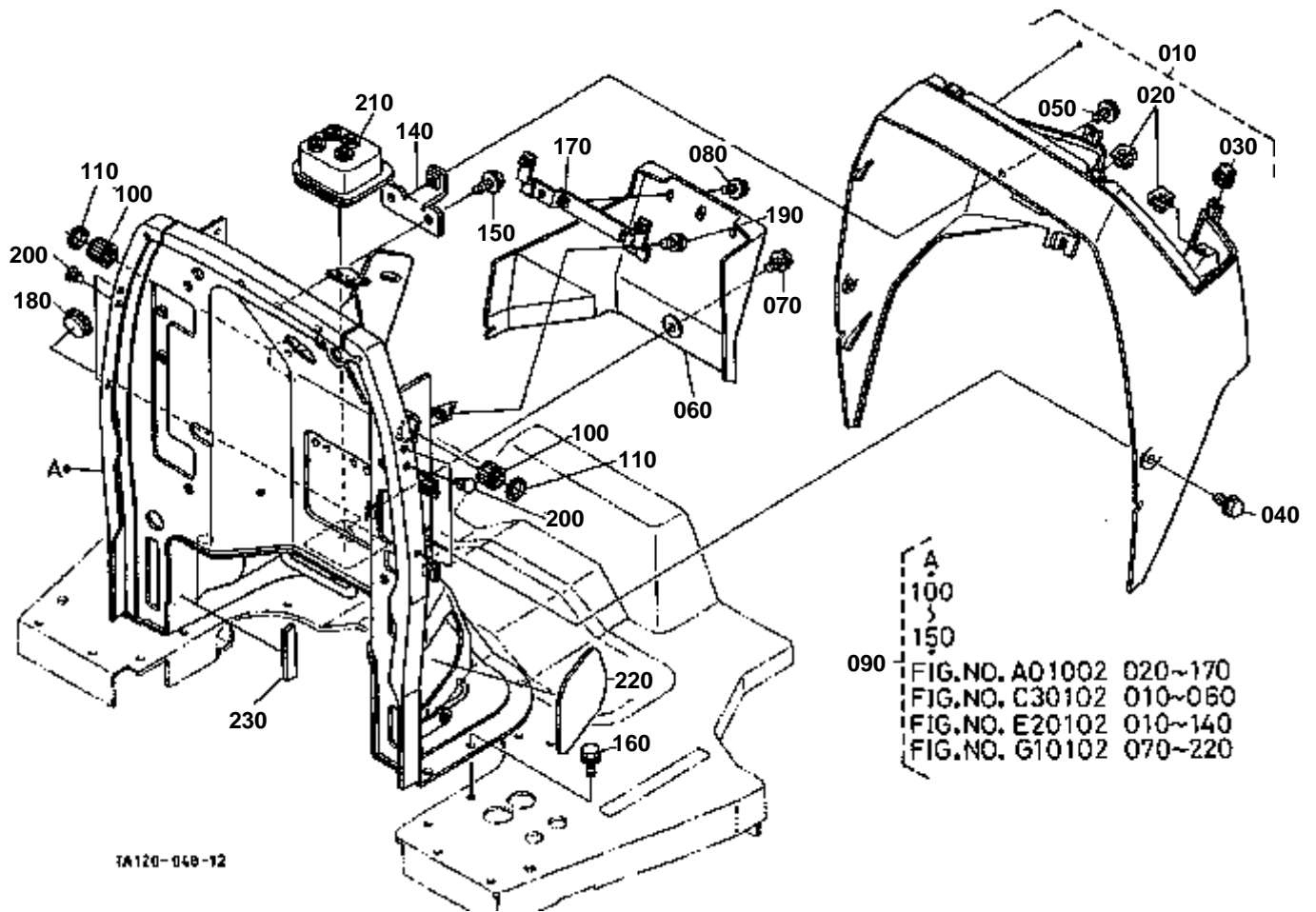


TA147-802-10

**SHUTTER PLATE [ROPS TYPE]**

↔ Interchangeable; ≠ not interchangeable; ← new for old; → old for new

REF.No	Part No.	Description	Q'ty	S.No.	I/C	REMARKS	Weight (kgf)	Weight (lb)
010	TA140-42135	SUPPORT BONNET REAR	1				4.6	10.12
020	T0270-42140	SPACER	4				0.056	0.1232
030	01779-51060	BOLT UBS	2				0.005	0.011
040	01774-51060	BOLT FLANGE	2				0.04	0.088
050	TA140-42160	SUPPORT	1				0.275	0.605
060	01754-50816	BOLT FLANGE	2				0.011	0.0242
065	TA040-94400	KIT FUEL TANK	1	<=72028			0	0
070	34070-42115	PLATE SHUTTER	1	<=72028		NOT SALE ORDER BY REF.No.065	3	6.6
070	34070-42116	PLATE SHUTTER	1	>=72029	←		0	0
080	04015-60080	WASHER PLAIN	4				0.01	0.022
090	01754-50812	BOLT FLANGE	4				0.01	0.022
100	34070-42260	CUSHION	4				0.005	0.011
110	34070-42270	CUSHION	4				0.005	0.011
120	34070-42223	SHIELD	1				0.33	0.726



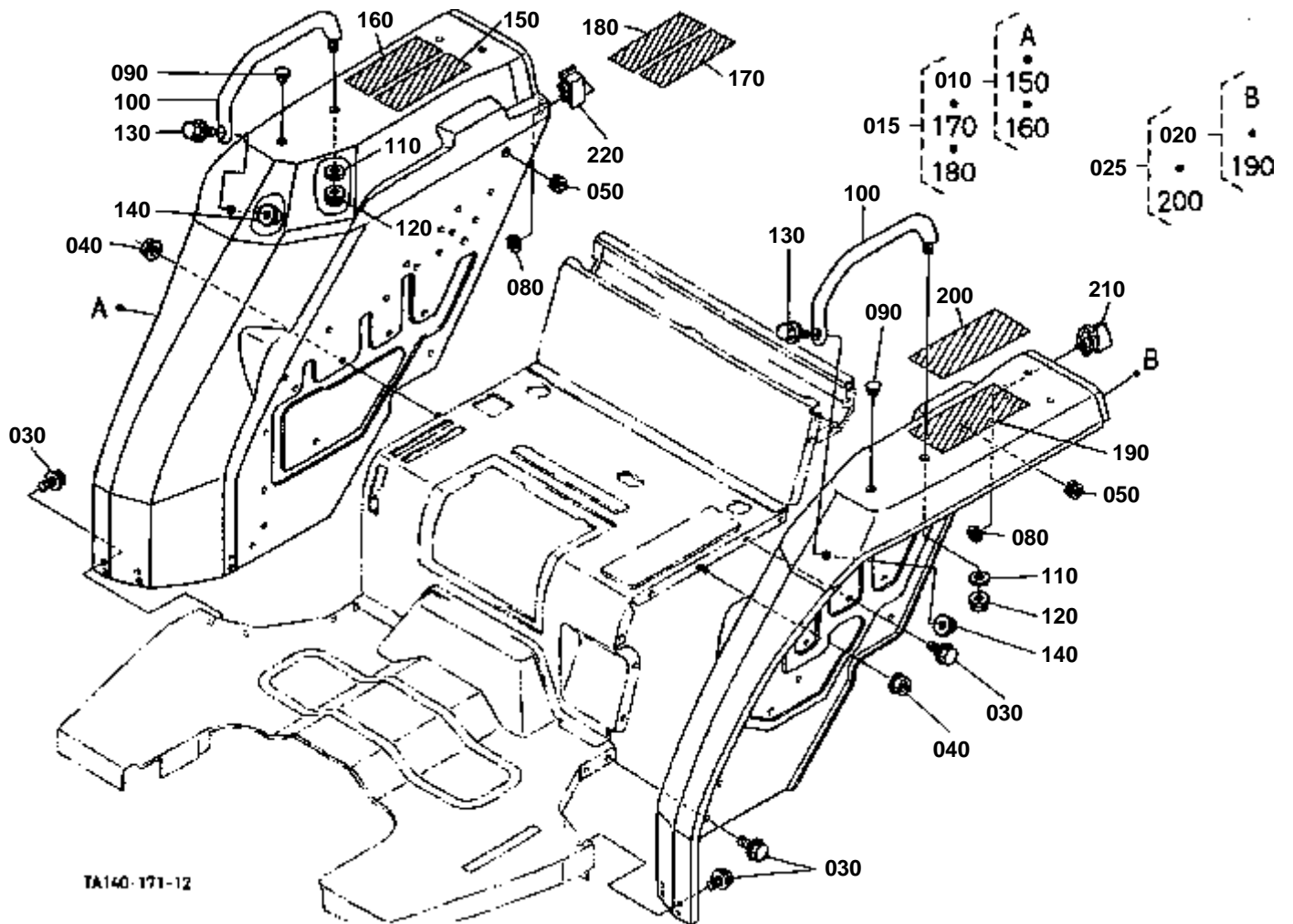
TA120-049-12



PANEL FRAME [HST TYPE] [ROPS TYPE]

↔ Interchangeable; ≠ not interchangeable; ← new for old; → old for new

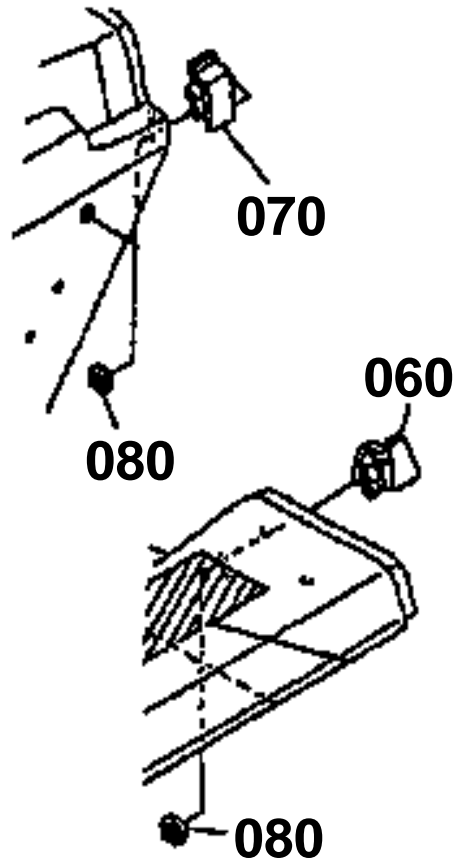
REF.No	Part No.	Description	Q'ty	S.No.	I/C	REMARKS	Weight (kgf)	Weight (lb)
010	34070-43010	BONNET	1				2	4.4
020	34070-99160	NUT SPRING	4				0.005	0.011
030	37410-54930	NUT SPRING	2				0.025	0.055
040	30400-18870	BOLT FLANGE	5				0.01	0.022
050	01754-50816	BOLT FLANGE	1				0.011	0.0242
060	34070-43032	COVER PANEL UNDER	1				0.28	0.616
070	30400-18870	BOLT FLANGE	1				0.01	0.022
080	30400-19060	BOLT FLANGE	2				0.006	0.0132
090	TA240-43200	ASSY FRAME PANEL	1	<=60009			0	0
090	TA240-43203	ASSY FRAME PANEL	1	>=70001	←		0	0
100	34070-44360	BEARING NEEDLE	2				0.012	0.0264
110	34070-44140	SEAL OIL	2				0.005	0.011
120	99999-99999	BLANK	0				0	0
130	99999-99999	BLANK	0				0	0
140	T0270-43230	STAY.PANEL FRAME	1				0.063	0.1386
150	01754-50816	BOLT FLANGE	2				0.011	0.0242
160	01754-50812	BOLT FLANGE	8				0.01	0.022
170	34550-43240	BRACKET PANEL COVER	1				0.135	0.297
180	35880-04570	CAP	1				0.01	0.022
190	01123-50816	BOLT	2				0.011	0.0242
200	38240-29570	PLUG	6				0.001	0.0022
210	34550-43335	GROMMET	1				0.06	0.132
220	34070-43280	COVER PANEL FRAME	1				0.12	0.264
230	TA140-33590	CUSHION P/STRG HOSE	1	>=71201			0.125	0.275



060 34070-4706-0

070 34070-4707-0

080 31351-9355-0



TA140-863-10

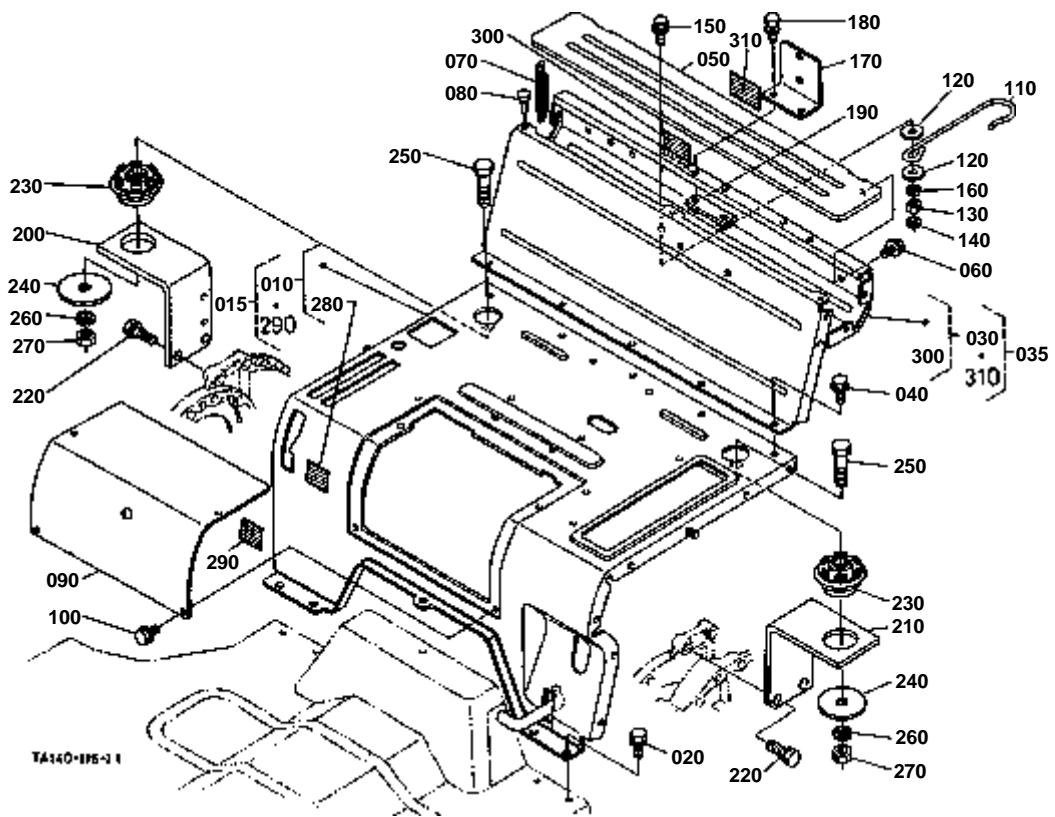


FENDER [HST TYPE] [ROPS TYPE]

↔ Interchangeable; ≠ not interchangeable; ← new for old; → old for new

REF.No	Part No.	Description	Q'ty	S.No.	I/C	REMARKS	Weight (kgf)	Weight (lb)
010	TA240-99510	KIT FENDER RH(A)	1			ENGLISH	10	22
015	TA241-99510	KIT FENDER RH(B)	1			FRENCH	10	22
020	TA140-99530	KIT FENDER LH(A)	1			ENGLISH	10	22
025	TA141-99530	KIT FENDER LH(B)	1			FRENCH	10	22
030	01754-50812	BOLT FLANGE	28	<=72866			0.01	0.022
030	T1060-47370	BOLT	28	>=72867	←		0.011	0.0242
040	02751-50080	NUT FLANGE	2				0.006	0.0132
050	32150-29180	CAP RUBBER	2				0.002	0.0044
060	34070-47060	PLATE FENDER LH	1	<=73190			0.025	0.055
070	34070-47070	PLATE FENDER RH	1	<=73190			0.025	0.055
080	31351-93550	NUT	4	<=73190			0.001	0.0022
090	30810-29170	PLUG	2				0.003	0.0066
100	T0270-29442	GRIP	2				0.3	0.66
110	04013-60100	WASHER PLAIN	2				0.004	0.0088
120	02771-60100	NUT FLANGE	2				0.01	0.022
130	T0180-83590	BOLT FLANGE	2				0.022	0.0484
140	02771-60100	NUT FLANGE	2				0.01	0.022
150	TA040-49320	LABEL ROPS WARNING	1			ENGLISH	0.001	0.0022
160	TA240-49330	LABEL PARKING	1			ENGLISH	0.005	0.011
170	TA040-49150	LABEL ROPS WARNING	1			FRENCH	0.003	0.0066
180	TA241-49330	LABEL PARKING WARNIN	1			FRENCH	0.005	0.011
190	35260-34913	LABEL SAFETY	1			ENGLISH	0.005	0.011
200	TA041-65700	LABEL SAFETY	1			FRENCH	0.01	0.022
210	34040-68980	PLATE FENDER LH	1	>=73191			0.02	0.044
220	34040-68990	PLATE FENDER RH	1	>=73191			0.025	0.055

FLOOR SEAT [HST TYPE] [ROPS TYPE]





FLOOR SEAT [HST TYPE] [ROPS TYPE]

↔ Interchangeable; ≠ not interchangeable; ← new for old; → old for new

REF.No	Part No.	Description	Q'ty	S.No.	I/C	REMARKS	Weight (kgf)	Weight (lb)
010	TA240-99550	KIT FLOOR SEAT(A)	1			ENGLISH	7.7	16.94
015	TA241-99550	KIT FLOOR SEAT(B)	1			FRENCH	0	0
020	01754-50816	BOLT FLANGE	5				0.011	0.0242
030	TA140-99580	KIT FLOOR SEAT R.(A)	1			ENGLISH	3.15	6.93
035	TA141-99580	KIT FLOOR SEAT R.(B)	1			FRENCH	3.15	6.93
040	01754-50812	BOLT FLANGE	5				0.01	0.022
050	34070-47260	COVER TOOLS BOX	1				0.77	1.694
060	01754-50812	BOLT FLANGE	2				0.01	0.022
070	50400-51210	SPRING CORD STRAIGHT	1				0.015	0.033
080	36330-83120	CUSHION	3				0.001	0.0022
090	34070-47280	COVER FLOOR SEAT	1				1.14	2.508
100	01754-50812	BOLT FLANGE	4				0.01	0.022
110	TA040-29420	HOLDER	1				0.043	0.0946
120	04015-60080	WASHER PLAIN	2				0.01	0.022
130	02114-50080	NUT	1				0.005	0.011
140	02112-50080	NUT	1				0.003	0.0066
150	01754-50825	BOLT FLANGE	1				0.01	0.022
160	04512-60080	WASHER SPRING	1				0.002	0.0044
170	TA040-29430	BRACKET SMV	1				0.25	0.55
180	01123-50816	BOLT	2				0.011	0.0242
190	TA047-29450	STAY WORKING LIGHT	1				0.035	0.077
200	TA040-47210	SUPPORT FLOOR SEAT	1				1.55	3.41
210	TA040-47220	SUPPORT FLOOR SEAT	1				1.55	3.41
220	01133-51230	BOLT	4				0.04	0.088
230	T0270-47310	CUSHION	2				0.131	0.2882
240	34070-47320	WASHER	2				0.015	0.033
250	01173-51660	BOLT	2				0.114	0.2508
260	04512-60160	WASHER SPRING	2				0.01	0.022
270	02176-50160	NUT	2				0.021	0.0462
280	TA040-49340	LABEL M-PTO WARNING	1	<=72557		ENGLISH	0.001	0.0022
280	TA040-49342	LABEL M-PTO WARNING	1	>=72558	←	ENGLISH	0	0
290	TA041-49340	LABEL M-PTO WARNING	1	<=72557		FRENCH	0.003	0.0066
290	TA041-49342	LABEL M-PTO WARNING	1	>=72558	←	FRENCH	0	0
300	TA040-49350	LABEL DRAWBAR	1			ENGLISH	0.002	0.0044
310	TA041-49350	LABEL DRAWBAR	1			FRENCH	0.003	0.0066

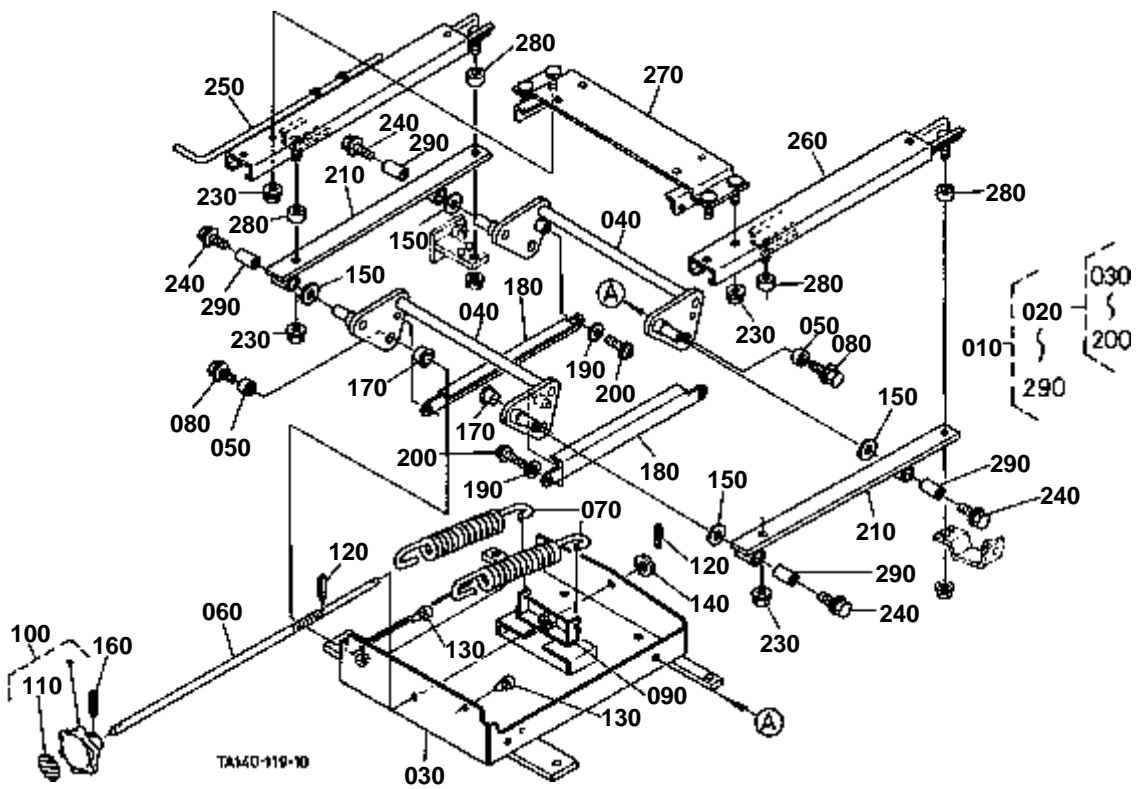


SEAT [ROPS TYPE]

↔ Interchangeable; ≠ not interchangeable; ← new for old; → old for new

REF.No	Part No.	Description	Q'ty	S.No.	I/C	REMARKS	Weight (kgf)	Weight (lb)
010	TA140-47700	ASSY SEAT	1				9.6	21.12
020	TA140-47710	CUSHION SEAT	1				3.9	8.58
030	TA140-47720	BACK SEAT	1				3.85	8.47
040	TA140-47730	HINGE	1				1.03	2.266
050	TA140-47740	HINGE	1				0.305	0.671
060	TA140-47750	KNOB	1				0.02	0.044
070	TA140-47760	SCREW	1				0.002	0.0044
080	TA140-47770	BOLT	8				0.01	0.022
090	TA140-47780	CUSHION	2				0.043	0.0946
100	TA140-47790	SCREW	2				0.01	0.022
110	TA140-47800	BRACKET SEAT	1				0.185	0.407
120	TA140-47810	BOLT	2				0.01	0.022
130	56811-35462	PIN	1				0.1	0.22
140	05525-50800	PIN SNAP	1				0.001	0.0022
150	TA140-11800	ASSY SUSPENSION	1				9.4	20.68
160	01754-50820	BOLT FLANGE	4				0.015	0.033
170	6C040-72252	ASSY BELT SEAT	1	<=73190		NOT SALE	0.9	1.98
170	6C040-72253	ASSY BELT SEAT	1	>=73191	←		0.9	1.98
180	TA140-18482	BRACKET SEAT BELT RH	1				0.16	0.352
190	TA140-18492	BRACKET SEAT BELT LH	1				0.175	0.385
200	02763-50080	NUT FLANGE	2				0.005	0.011
210	01774-51025	BOLT FLANGE	2				0.02	0.044
220	02116-50100	NUT	2				0.004	0.0088

SEAT SUSPENSION [COMPONENT PARTS]

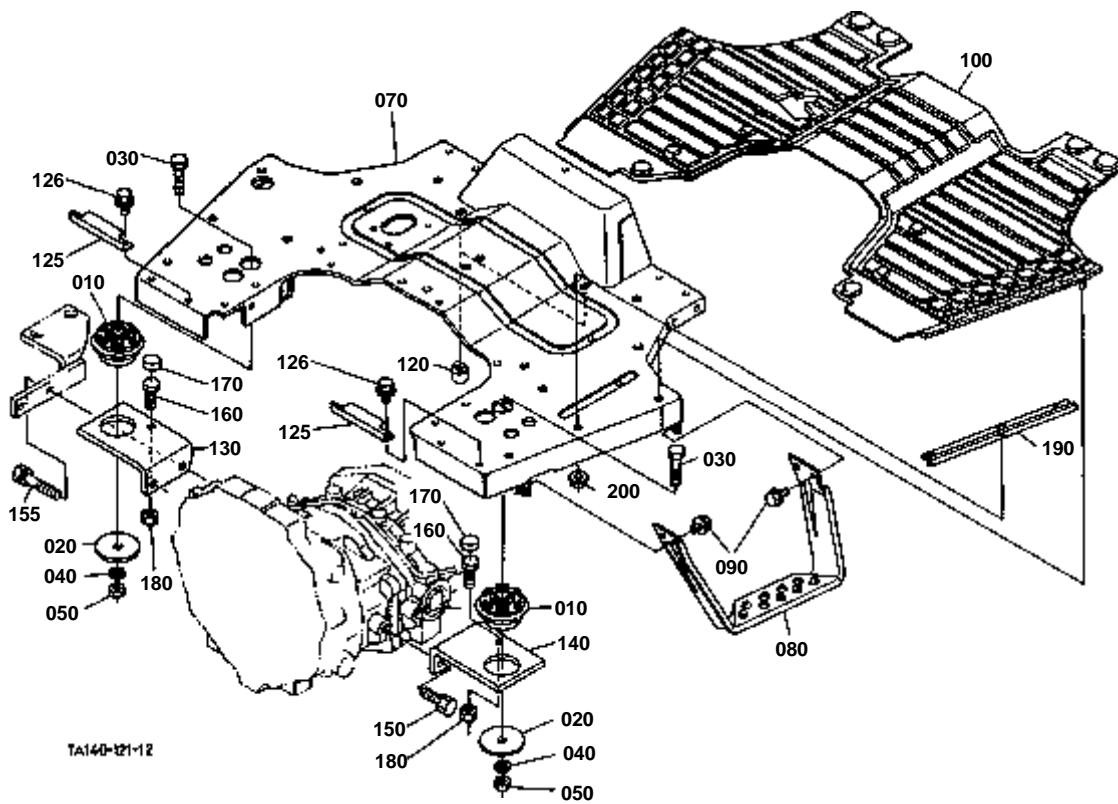




SEAT SUSPENSION [COMPONENT PARTS]

↔ Interchangeable; ≠ not interchangeable; ← new for old; → old for new

REF.No	Part No.	Description	Q'ty	S.No.	I/C	REMARKS	Weight (kgf)	Weight (lb)
010	TA140-11800	ASSY SUSPENSION	1				9.4	20.68
020	TA140-11810	ASSY SUSPENSION	1				5.5	12.1
030	TA140-11820	FRAME SUSPENSION	1				2.7	5.94
040	TA140-11830	COMP.LINK	2				0.62	1.364
050	TA140-11840	SPACER SUSPENSION	4				0.005	0.011
060	TA140-11990	SHAFT	1				0.23	0.506
070	TA140-11860	SPRING SUSPENSION	2				0.24	0.528
080	TA140-11870	BOLT	4				0.015	0.033
090	TA140-11880	NUT ADJUST	1				0.095	0.209
100	TA140-11890	KNOB ADJUST	1				0.105	0.231
110	TA140-11900	LABEL ADJUST	1				0.001	0.0022
120	TA140-11910	PIN SPRING	2				0.001	0.0022
130	TA140-11920	CUSHION	2				0.006	0.0132
140	TA140-11930	WASHER PLAIN	1				0.01	0.022
150	TA140-11940	SHIM	4				0.001	0.0022
160	TA140-11950	PIN SPRING	1				0.002	0.0044
170	TA140-11960	BUSH SUSPENSION	4				0.003	0.0066
180	TA140-11980	PLATE	2				0.205	0.451
190	TA140-11710	BUSH PLATE	4				0.003	0.0066
200	TA140-11720	SCREW	4				0.006	0.0132
210	TA140-18370	PLATE	2				0.395	0.869
220	99999-99999	BLANK	0				0	0
230	TA140-18310	NUT FLANGE	6				0.006	0.0132
240	TA140-18320	BOLT FLANGE	4				0.012	0.0264
250	TA140-18330	RAIL RH	1				1.38	3.036
260	TA140-18340	RAIL LH	1				0.925	2.035
270	TA140-18350	BRACKET	1				0.725	1.595
280	TA140-18390	SPACER	4				0.009	0.0198
290	TA140-18410	BUSH	4				0.006	0.0132



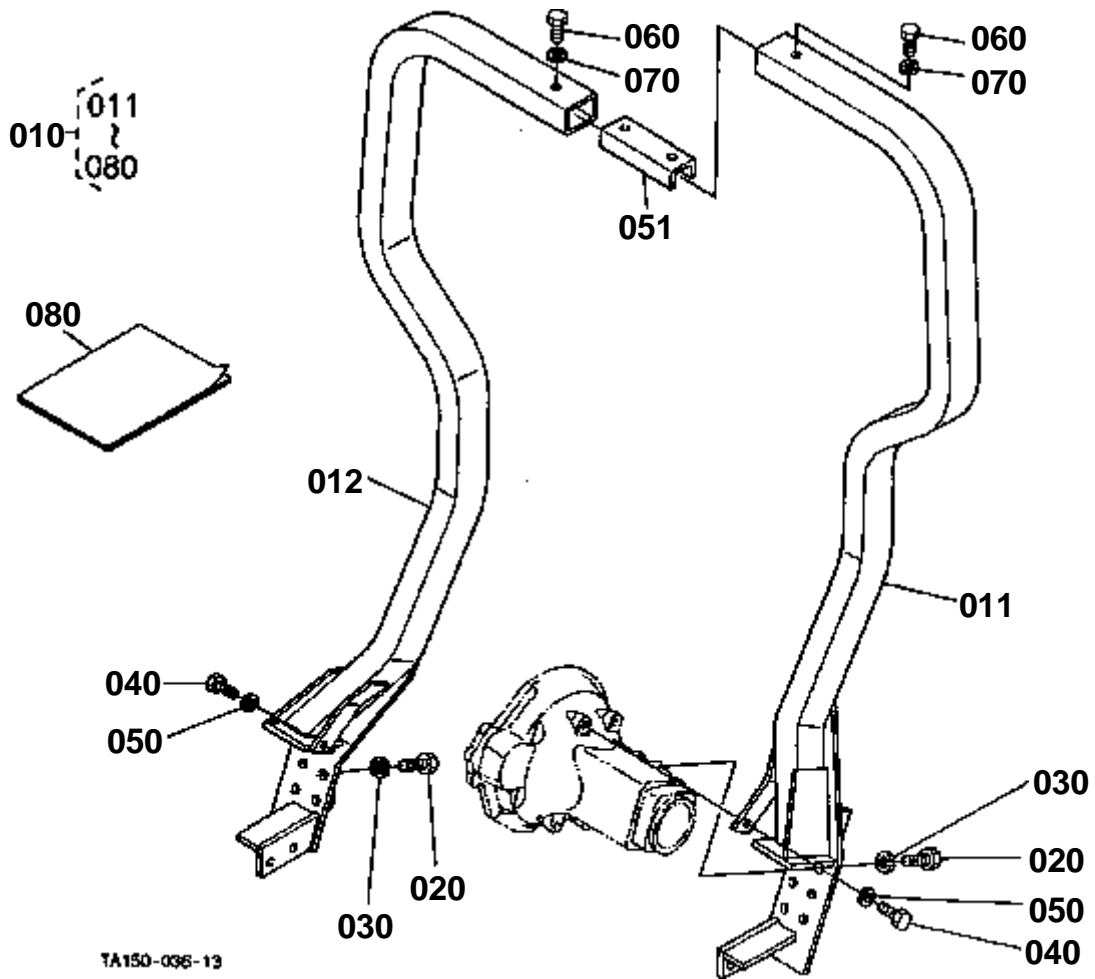
TA140-121-12



STEP [HST TYPE] [ROPS TYPE]

↔ Interchangeable; ≠ not interchangeable; ← new for old; → old for new

REF.No	Part No.	Description	Q'ty	S.No.	I/C	REMARKS	Weight (kgf)	Weight (lb)
010	T0270-47310	CUSHION	2				0.131	0.2882
020	34070-47320	WASHER	2				0.015	0.033
030	01173-51660	BOLT	2				0.114	0.2508
040	04512-60160	WASHER SPRING	2				0.01	0.022
050	02176-50160	NUT	2				0.021	0.0462
060	99999-99999	BLANK	0				0	0
070	TA240-47405	STEP	1				0	0
080	TA140-47470	STEP AID LH	1				0.985	2.167
090	01754-50812	BOLT FLANGE	4	<=60009			0.01	0.022
090	01754-50816	BOLT FLANGE	4	>=70001	←		0.011	0.0242
100	TA240-47450	MAT	1				1.55	3.41
110	99999-99999	BLANK	0				0	0
120	30400-17980	RUBBER BLOCK	2				0.01	0.022
125	TA140-47480	CLAMP STEP MAT	2				0.05	0.11
126	01754-50816	BOLT FLANGE	4				0.011	0.0242
130	TA240-47410	BRACKET STEP RH	1				1.05	2.31
140	TA240-47420	BRACKET STEP LH	1				1.05	2.31
150	01133-51230	BOLT	2				0.04	0.088
155	01133-51240	BOLT	2				0.05	0.11
160	01073-51030	BOLT	2				0.028	0.0616
170	34070-47490	CUSHION	2				0.005	0.011
180	02118-50100	NUT	2				0.005	0.011
190	TA150-47490	CLAMP STEP MAT LH	1				0.155	0.341
200	02751-50080	NUT FLANGE	2				0.006	0.0132

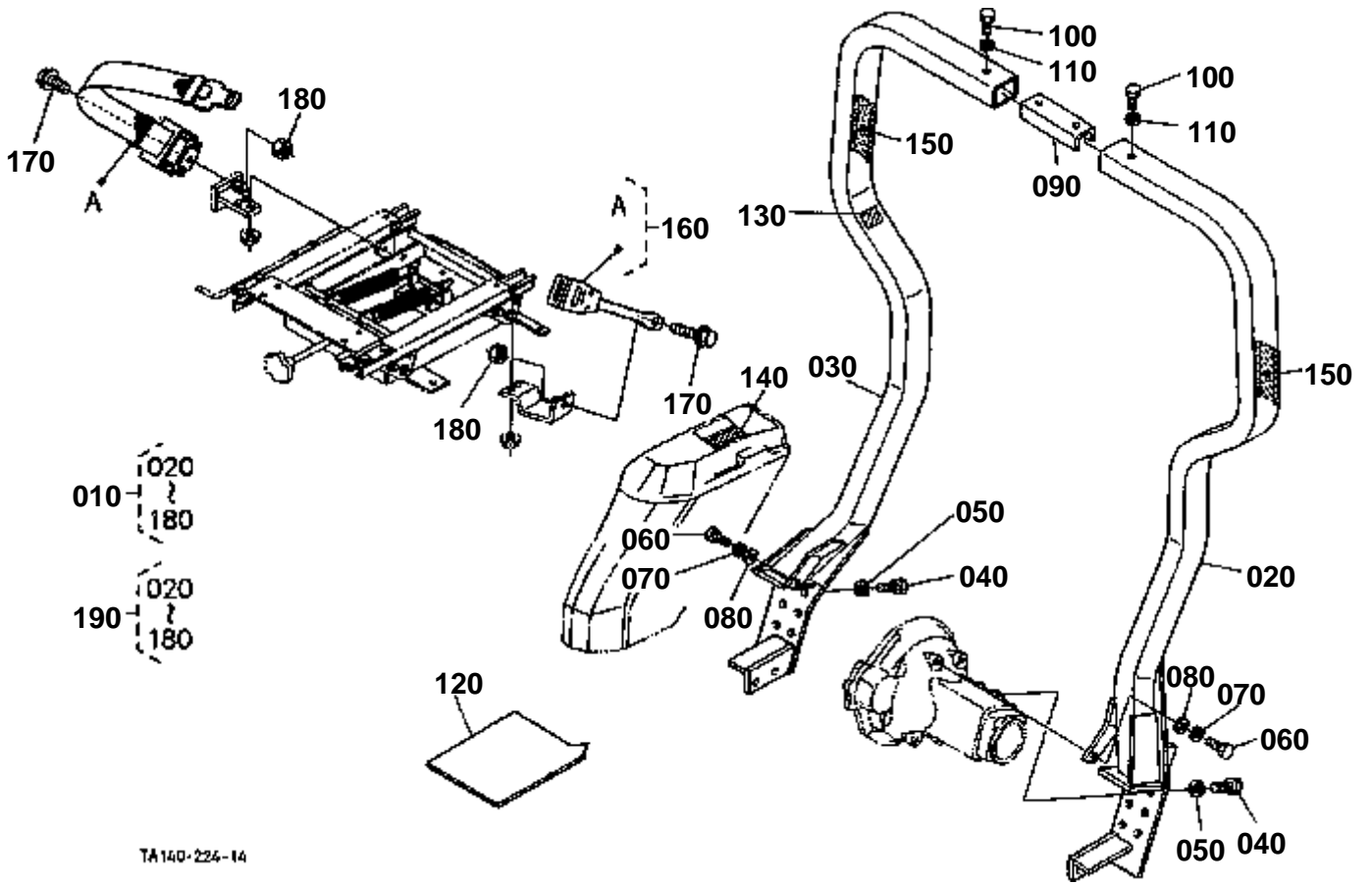




ROPS [ROPS TYPE] [OLD TYPE]
S.No.;<=72093 [TYPE VIEUX]

↔ Interchangeable; ≠ not interchangeable; ← new for old; → old for new

REF.No	Part No.	Description	Q'ty	S.No.	I/C	REMARKS	Weight (kgf)	Weight (lb)
010	TA150-48010	ASSY ROPS	1				0	0
011	99999-99999	COMP.FRAME LH	1				0	0
012	99999-99999	COMP.FRAME RH	1				0	0
020	01176-51430	BOLT	12				0.052	0.1144
030	75599-33016	WASHER SPRING	12				0.08	0.176
040	01173-51230	BOLT	2				0.037	0.0814
050	04512-60120	WASHER SPRING	2				0.005	0.011
051	99999-99999	CONNECTOR ROPS	1				0	0
060	75599-04625	HEX.BOLT	2				0	0
070	75599-33016	WASHER SPRING	2				0.08	0.176
080	TA140-48493	MANUAL ASSEMBLY	1				0	0

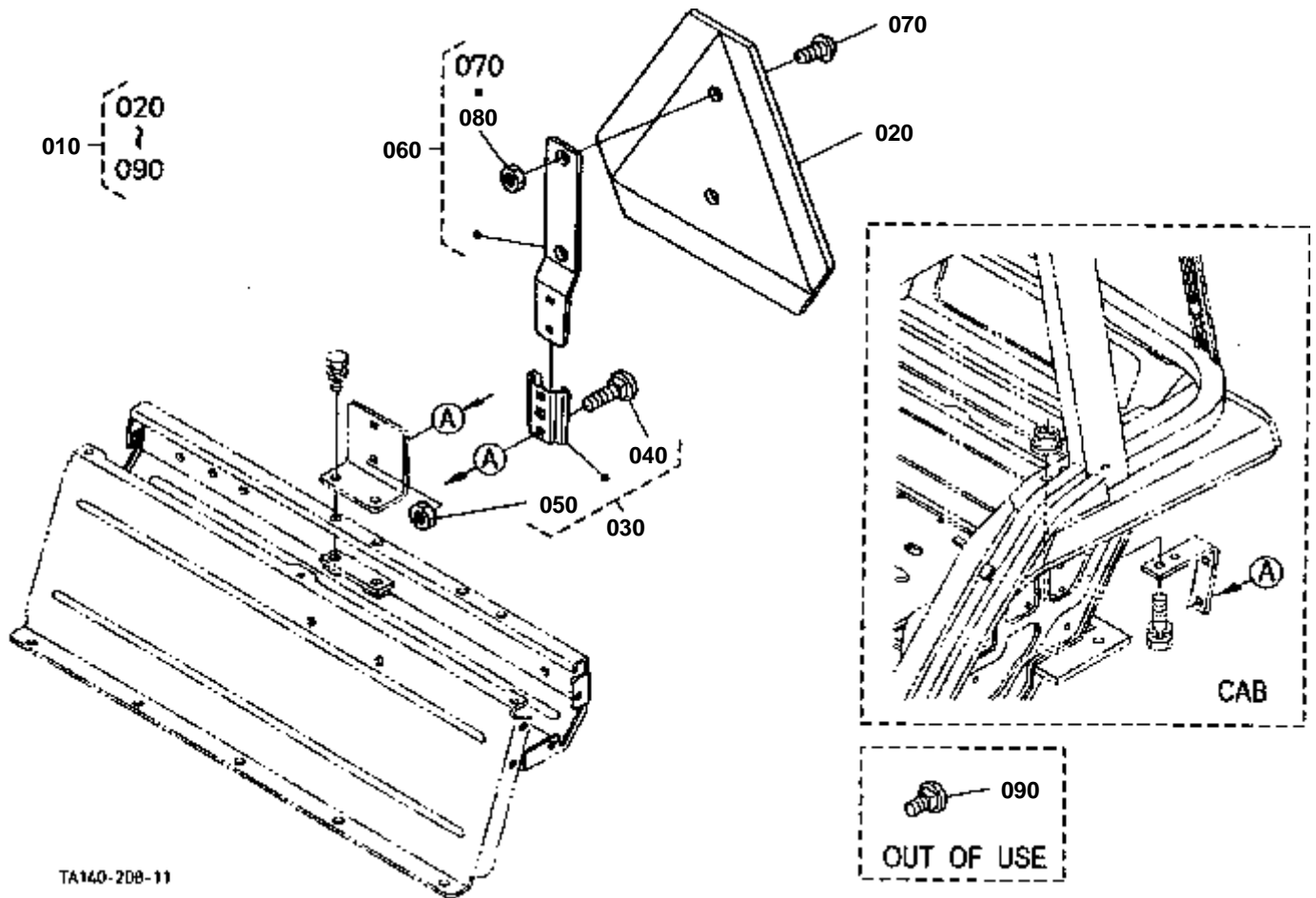




ROPS [ROPS TYPE] [NEW TYPE]
S.No.;>=72094 [TYPE NOUVEAU]

↔ Interchangeable; ≠ not interchangeable; ← new for old; → old for new

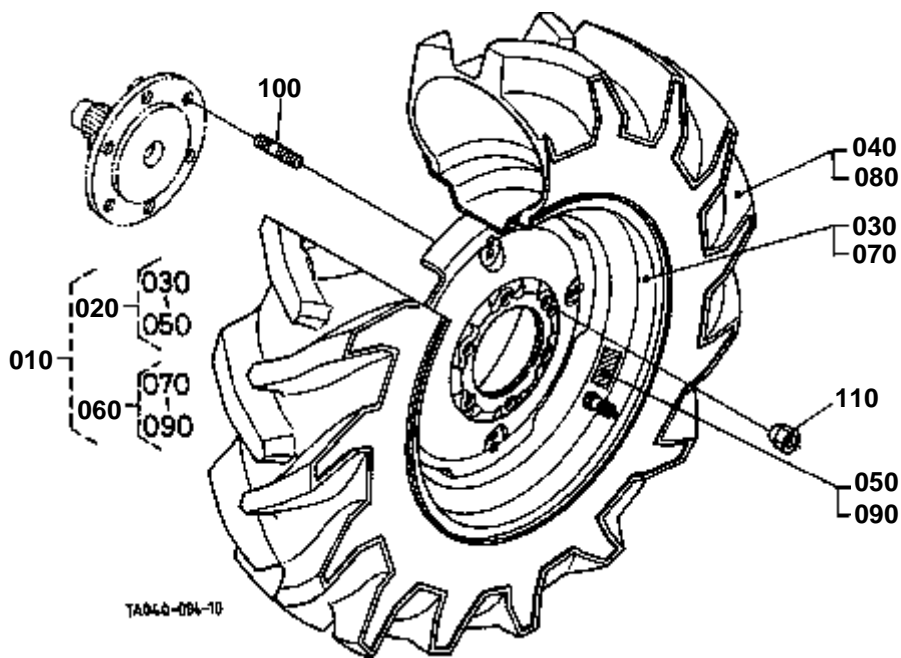
REF.No	Part No.	Description	Q'ty	S.No.	I/C	REMARKS	Weight (kgf)	Weight (lb)
010	TA150-48442	KIT ROPS REPLACEMENT	1	<=73190			0	0
010	TA150-48442	KIT ROPS REPLACEMENT	1	>=73191	←		0	0
020	99999-99999	COMP.FRAME LH	1				0	0
030	99999-99999	COMP.FRAME RH	1				0	0
040	01176-51430	BOLT	12				0.052	0.1144
050	0Y450-50090	WASHER SPRING	12				0	0
060	01073-51230	BOLT	2				0.041	0.0902
070	04512-60120	WASHER SPRING	2				0.005	0.011
080	04013-60120	WASHER PLAIN	2				0.01	0.022
090	99999-99999	CONNECTOR ROPS	1				0	0
100	0Y109-50920	BOLT	2				0	0
110	0Y450-50090	WASHER SPRING	2				0	0
120	99999-99999	MANUAL INSTRUCTION	1				0	0
130	6C140-47460	LABEL ROPS WARNING	1			ENGLISH	0.001	0.0022
130	6C141-47460	LABEL ROPS WARNING	1			FRENCH	0	0
140	TA040-49320	LABEL ROPS WARNING	1			ENGLISH	0.001	0.0022
140	TA040-49150	LABEL ROPS WARNING	1			FRENCH	0.003	0.0066
150	6C140-54990	REFLECTOR LABEL	2	>=73191			0.003	0.0066
160	6C040-72252	ASSY BELT SEAT	1	<=73190		NOT SALE	0.9	1.98
160	6C040-72253	ASSY BELT SEAT	1	>=73191	←		0.9	1.98
170	01774-51025	BOLT FLANGE	2				0.02	0.044
180	02116-50100	NUT	2				0.004	0.0088



**SMV EMBLEM**

↔ Interchangeable; ≠ not interchangeable; ← new for old; → old for new

REF.No	Part No.	Description	Q'ty	S.No.	I/C	REMARKS	Weight (kgf)	Weight (lb)
010	99999-99999	SMV SIGN KIT	1				0	0
020	7L500-89910	SIGN SMV	1				0	0
030	7L500-89920	SOCKET SMV SIGN	1				0	0
040	7L500-89940	BOLT SQUARE NECK	2				0	0
050	7L500-89950	NUT	2				0	0
060	7L500-89960	SPADE SMV SIGN	1				0	0
070	7L500-89980	VIS	2				0	0
080	7L500-89990	NUT	2				0	0
090	7L500-89810	BOLT SQUARE NECK	2			OUT OF USE	0	0



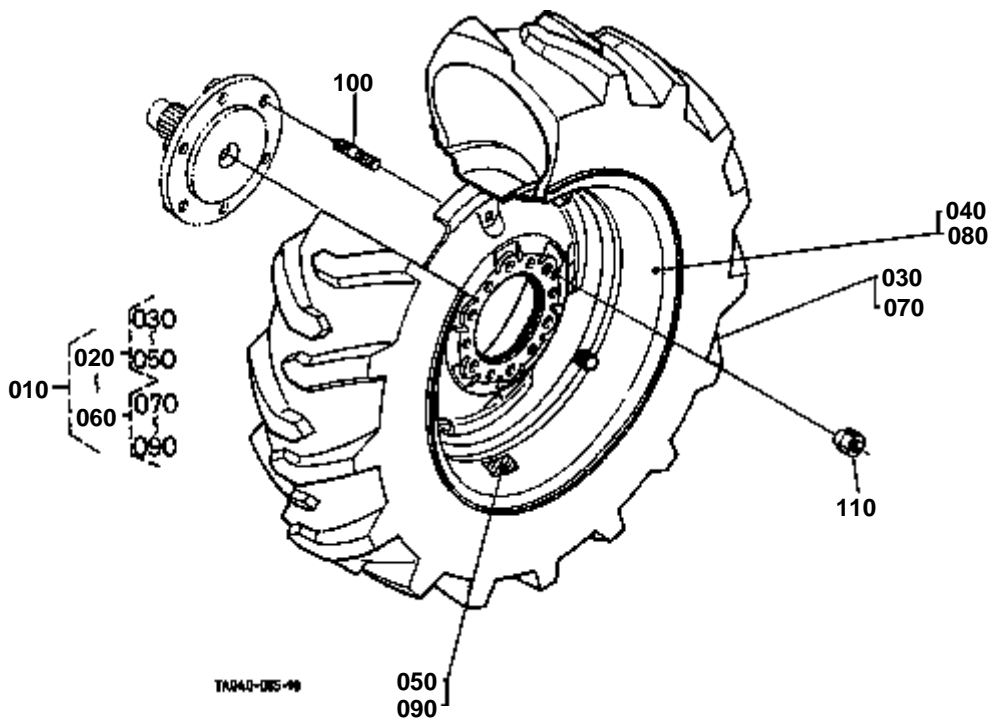


FRONT WHEEL (8.3-16)

↔ Interchangeable; ≠ not interchangeable; ← new for old; → old for new

REF.No	Part No.	Description	Q'ty	S.No.	I/C	REMARKS	Weight (kgf)	Weight (lb)
010	66434-17610	ASSY TIRE	1				0	0
020	66434-17620	ASSY TIRE LH	1				0	0
030	66434-17640	WHEEL	1				0	0
040	66434-17650	TIRE	1				0	0
050	66434-17660	LABEL TIRE LH	1				0	0
060	66434-17630	ASSY TIRE RH	1				0	0
070	66434-17640	WHEEL	1				0	0
080	66434-17650	TIRE	1				0	0
090	66434-17670	LABEL TIRE RH	1				0	0
100	35450-49160	STUD	12	<=70846			0.05	0.11
100	TA150-49160	STUD WHEEL	12	>=70847	≠		0	0
110	35340-11390	NUT	12				0.03	0.066

FRONT WHEEL (10-16.5)



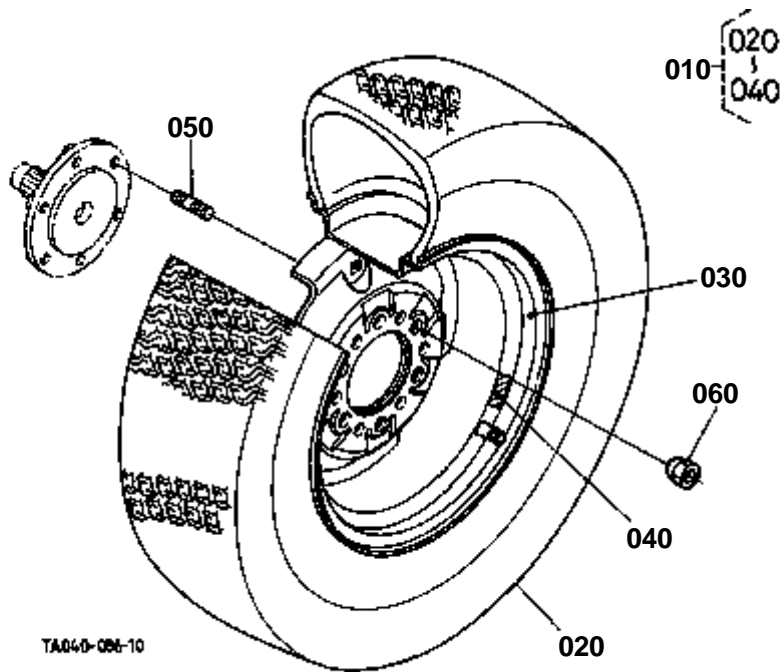


FRONT WHEEL (10-16.5)

↔ Interchangeable; ≠ not interchangeable; ← new for old; → old for new

REF.No	Part No.	Description	Q'ty	S.No.	I/C	REMARKS	Weight (kgf)	Weight (lb)
010	TA040-10900	ASSY FRONT WHEEL	1				0	0
020	TA040-10910	ASSY FRONT WHEEL RH	1				0	0
030	35080-11930	TIRE	1				0	0
040	TA040-42420	WHEEL	1				0	0
050	TA040-10950	LABEL TIRE RH	1				0	0
060	TA040-10920	ASSY FRONT WHEEL LH	1				0	0
070	35080-11930	TIRE	1				0	0
080	TA040-42420	WHEEL	1				0	0
090	TA040-10960	LABEL TIRE LH	1				0	0
100	35450-49160	STUD	12	<=70846			0.05	0.11
100	TA150-49160	STUD WHEEL	12	>=70847	≠		0	0
110	35340-11390	NUT	12				0.03	0.066

FRONT WHEEL (27*8.5-15)

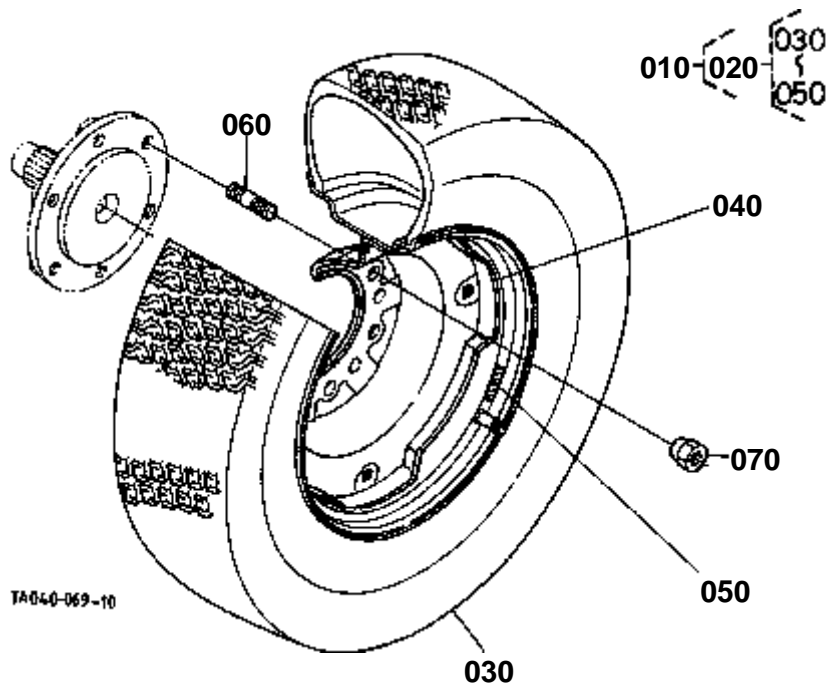




FRONT WHEEL (27*8.5-15)

↔ Interchangeable; ≠ not interchangeable; ← new for old; → old for new

REF.No	Part No.	Description	Q'ty	S.No.	I/C	REMARKS	Weight (kgf)	Weight (lb)
010	TA040-10500	ASSY FRONT WHEEL	2				0	0
020	67002-17630	TIRE	2				0	0
030	TA040-10550	WHEEL	2				0	0
040	TA040-10560	LABEL TIRE	2				0	0
050	35450-49160	STUD	12	≤70846			0.05	0.11
050	TA150-49160	STUD WHEEL	12	≥70847	≠		0	0
060	35340-11390	NUT	12				0.03	0.066

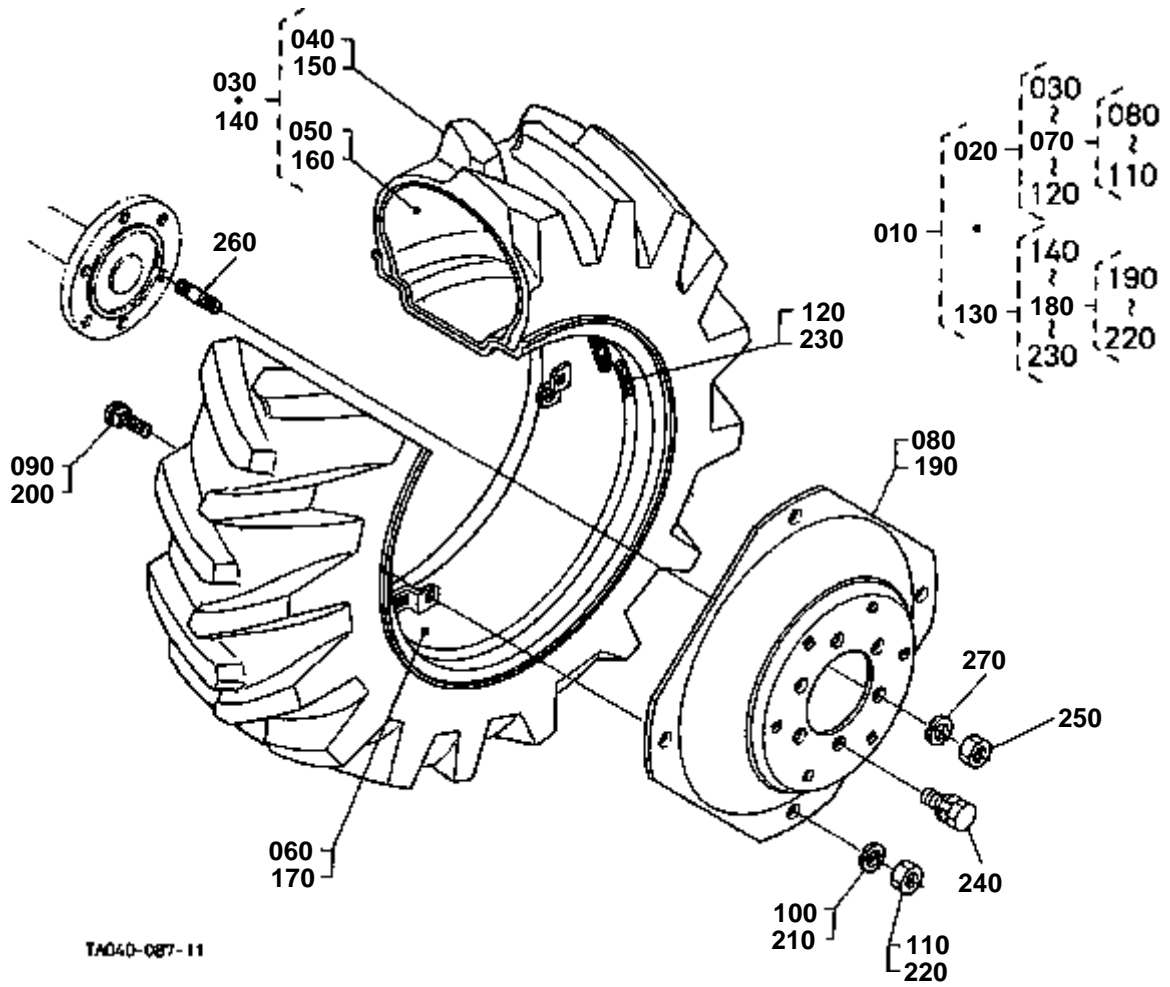




FRONT WHEEL (29*12.50-15)

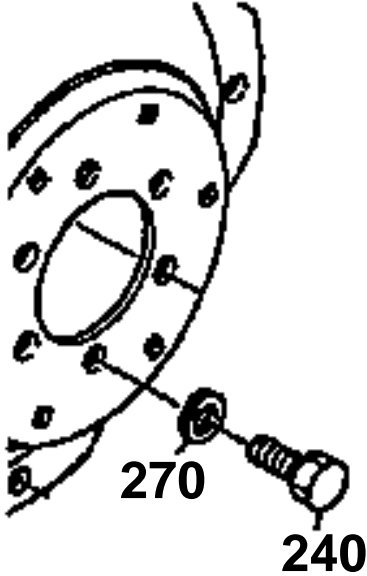
↔ Interchangeable; ≠ not interchangeable; ← new for old; → old for new

REF.No	Part No.	Description	Q'ty	S.No.	I/C	REMARKS	Weight (kgf)	Weight (lb)
010	35080-11500	ASSY TIRE	1				0	0
020	35080-11510	TIRE ASSY	2				0	0
030	35080-11530	TIRE	2				0	0
040	35080-11540	WHEEL	2				0	0
050	35080-11550	LABEL TIRE	2				0	0
060	35450-49160	STUD	12	≤70846			0.05	0.11
060	TA150-49160	STUD WHEEL	12	≥70847	≠		0	0
070	35340-11390	NUT	12				0.03	0.066



TAC40-087-11

240 01073-51630
270 04512-60160



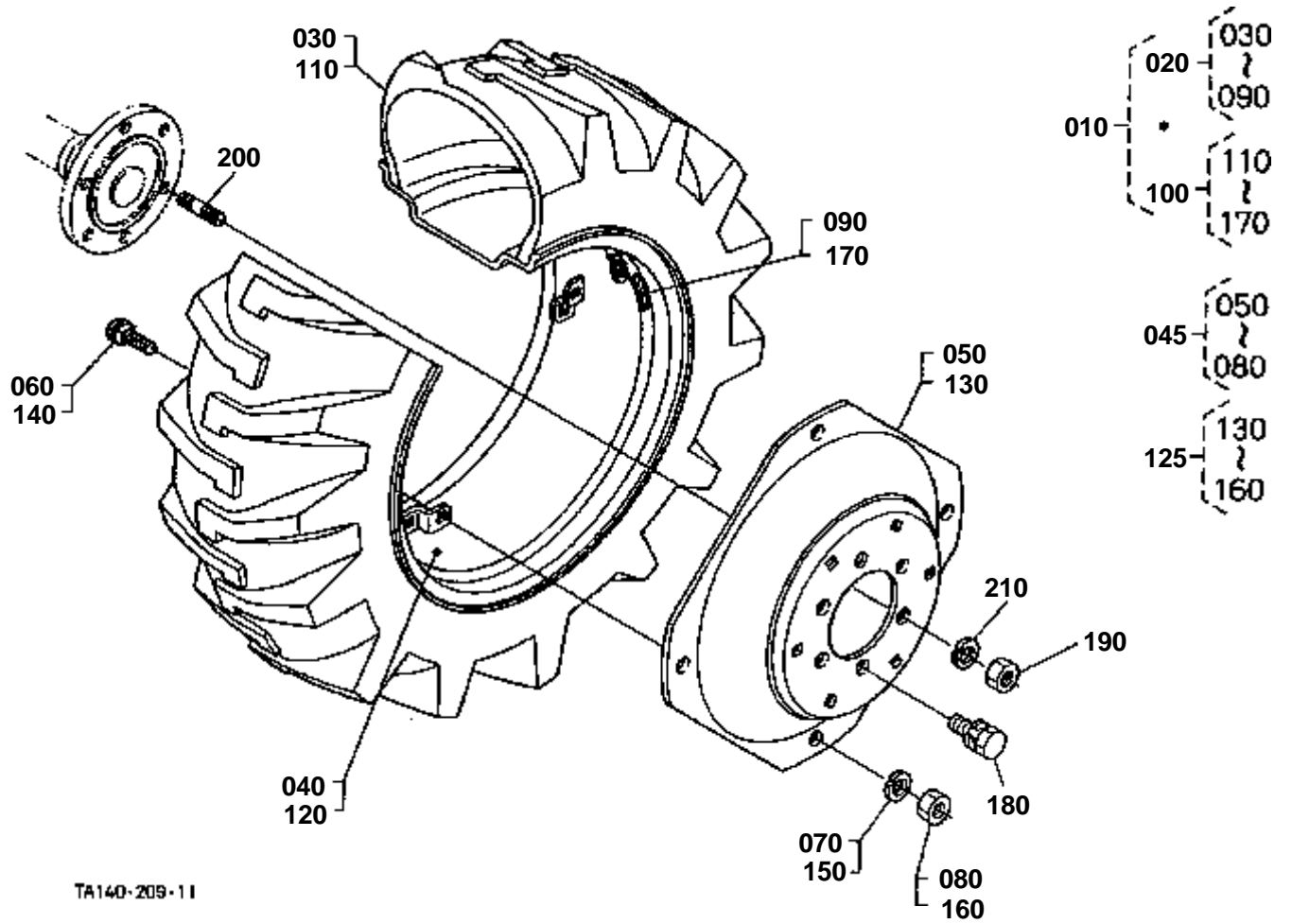
TA120-826-11



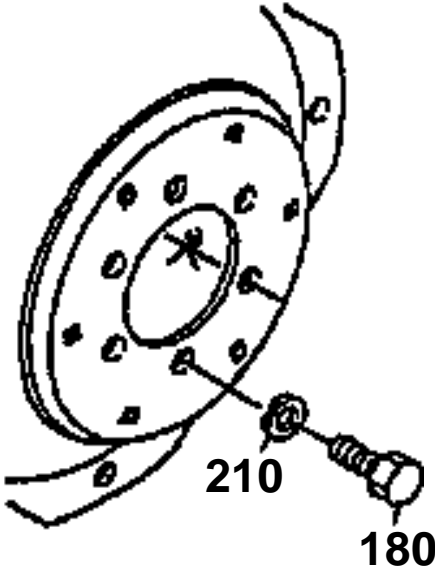
REAR WHEEL (13.6-24)

↔ Interchangeable; ≠ not interchangeable; ← new for old; → old for new

REF.No	Part No.	Description	Q'ty	S.No.	I/C	REMARKS	Weight (kgf)	Weight (lb)
010	35070-27800	ASSY REAR WHEEL	1				0	0
020	35070-27810	ASSY REAR WHEEL RH	1				0	0
030	35070-27870	ASSY REAR WHEEL	1				0	0
040	35070-27820	TIRE	1				0	0
050	35070-27830	TUBE	1				0	0
060	35070-27850	RIM	1				0	0
070	35070-27650	ASSY DISK	1				0	0
080	35080-27660	DISK	1				0	0
090	31220-27680	BOLT	4				0.09	0.198
100	04512-60160	WASHER SPRING	4				0.01	0.022
110	02174-50160	NUT	4				0.022	0.0484
120	35070-27980	LABEL TIRE RH	1				0	0
130	35070-27910	ASSY REAR WHEEL LH	1				0	0
140	35070-27870	ASSY REAR WHEEL	1				0	0
150	35070-27820	TIRE	1				0	0
160	35070-27830	TUBE	1				0	0
170	35070-27850	RIM	1				0	0
180	35070-27650	ASSY DISK	1				0	0
190	35080-27660	DISK	1				0	0
200	31220-27680	BOLT	4				0.09	0.198
210	04512-60160	WASHER SPRING	4				0.01	0.022
220	02174-50160	NUT	4				0.022	0.0484
230	35070-27970	LABEL TIRE LH	1				0	0
240	01073-51630	BOLT	8	≤72093			0.079	0.1738
240	01033-51630	BOLT	8	≥72094	←		0	0
250	02076-50160	NUT	4				0.03	0.066
260	01517-51632	STUD	4	≤72760			0.076	0.1672
260	01517-51635	STUD	4	≥72761	←		0.08	0.176
270	04512-60160	WASHER SPRING	12	≤72093			0.01	0.022
270	04512-60160	WASHER SPRING	4	≥72094			0.01	0.022



180 01073-51630
210 04512-60160



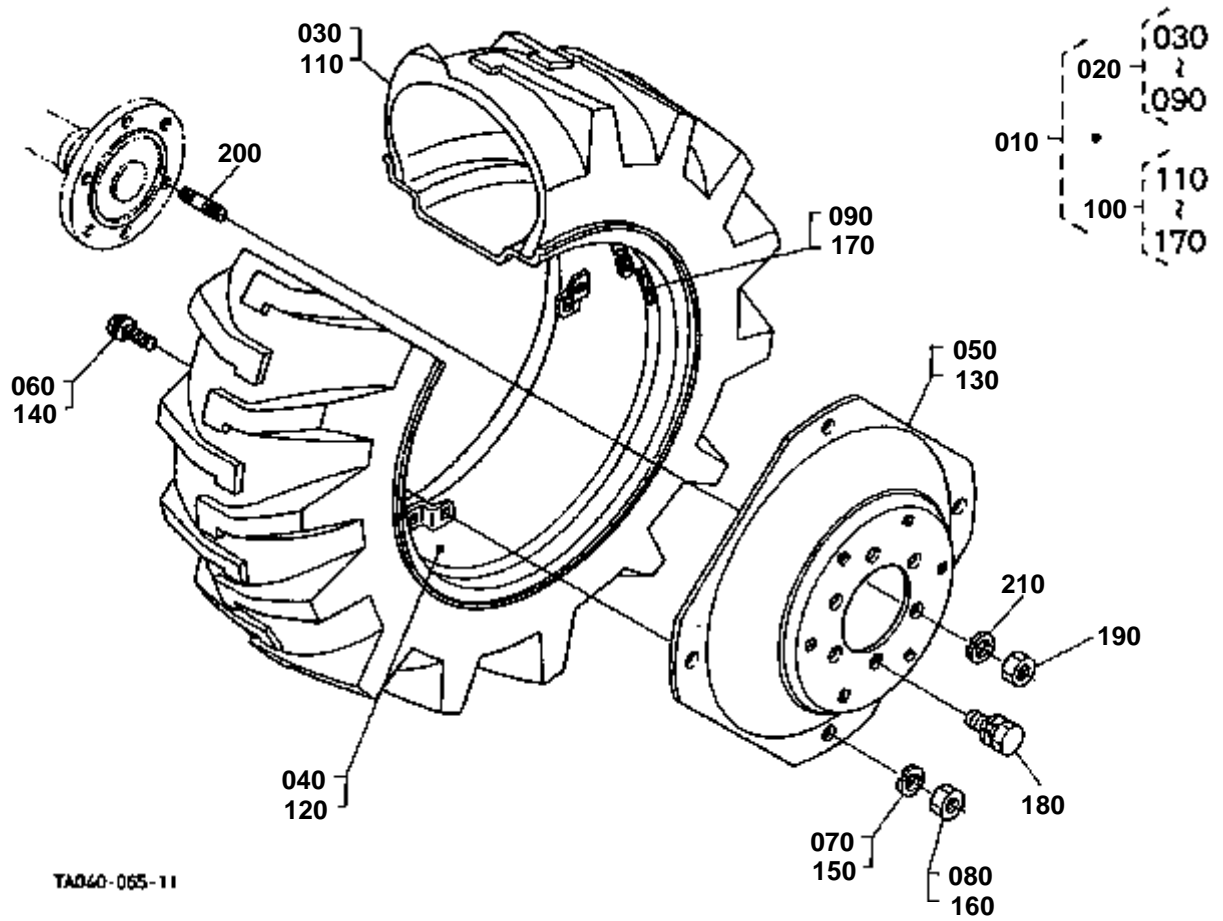
TA140-855-11



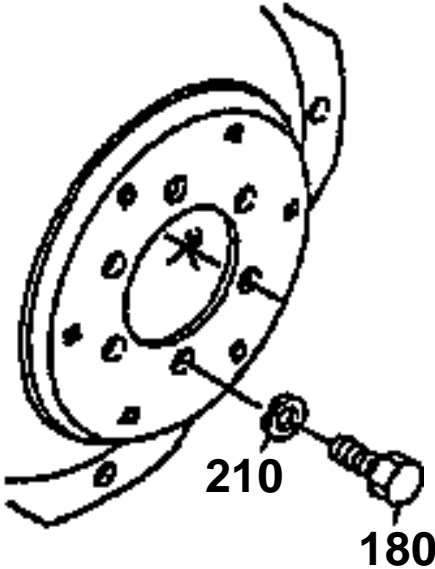
REAR WHEEL (14.9-24)

↔ Interchangeable; ≠ not interchangeable; ← new for old; → old for new

REF.No	Part No.	Description	Q'ty	S.No.	I/C	REMARKS	Weight (kgf)	Weight (lb)
010	TA040-27802	ASSY FRONT WHEEL	1				0	0
020	TA040-27812	ASSY FRONT WHEEL RH	1				0	0
030	32550-40410	ASSY TIRE	1				0	0
040	35070-27850	RIM	1				0	0
045	35070-27650	ASSY DISK	1				0	0
050	35080-27660	DISK	1				0	0
060	31220-27680	BOLT	4	≤72093			0.09	0.198
060	T1150-27680	BOLT RIM	4	≥72094	←		0	0
070	04512-60160	WASHER SPRING	4				0.01	0.022
080	02174-50160	NUT	4	≤72093			0.022	0.0484
080	02176-50160	NUT	4	≥72094	←		0.021	0.0462
090	TA040-27980	LABEL TIRE RH	1				0	0
100	TA040-27912	ASSY FRONT WHEEL LH	1				0	0
110	32550-40410	ASSY TIRE	1				0	0
120	35070-27850	RIM	1				0	0
125	35070-27650	ASSY DISK	1				0	0
130	35080-27660	DISK	1				0	0
140	31220-27680	BOLT	4	≤72093			0.09	0.198
140	T1150-27680	BOLT RIM	4	≥72094	←		0	0
150	04512-60160	WASHER SPRING	4				0.01	0.022
160	02174-50160	NUT	4	≤72093			0.022	0.0484
160	02176-50160	NUT	4	≥72094	←		0.021	0.0462
170	TA040-27970	LABEL TIRE LH	1				0	0
180	01073-51630	BOLT	8	≤72093			0.079	0.1738
180	01033-51630	BOLT	8	≥72094	←		0	0
190	02076-50160	NUT	4				0.03	0.066
200	01517-51632	STUD	4	≤72760			0.076	0.1672
200	01517-51635	STUD	4	≥72761	←		0.08	0.176
210	04512-60160	WASHER SPRING	12	≤72093			0.01	0.022
210	04512-60160	WASHER SPRING	4	≥72094			0.01	0.022



180 01073-51630
210 04512-60160

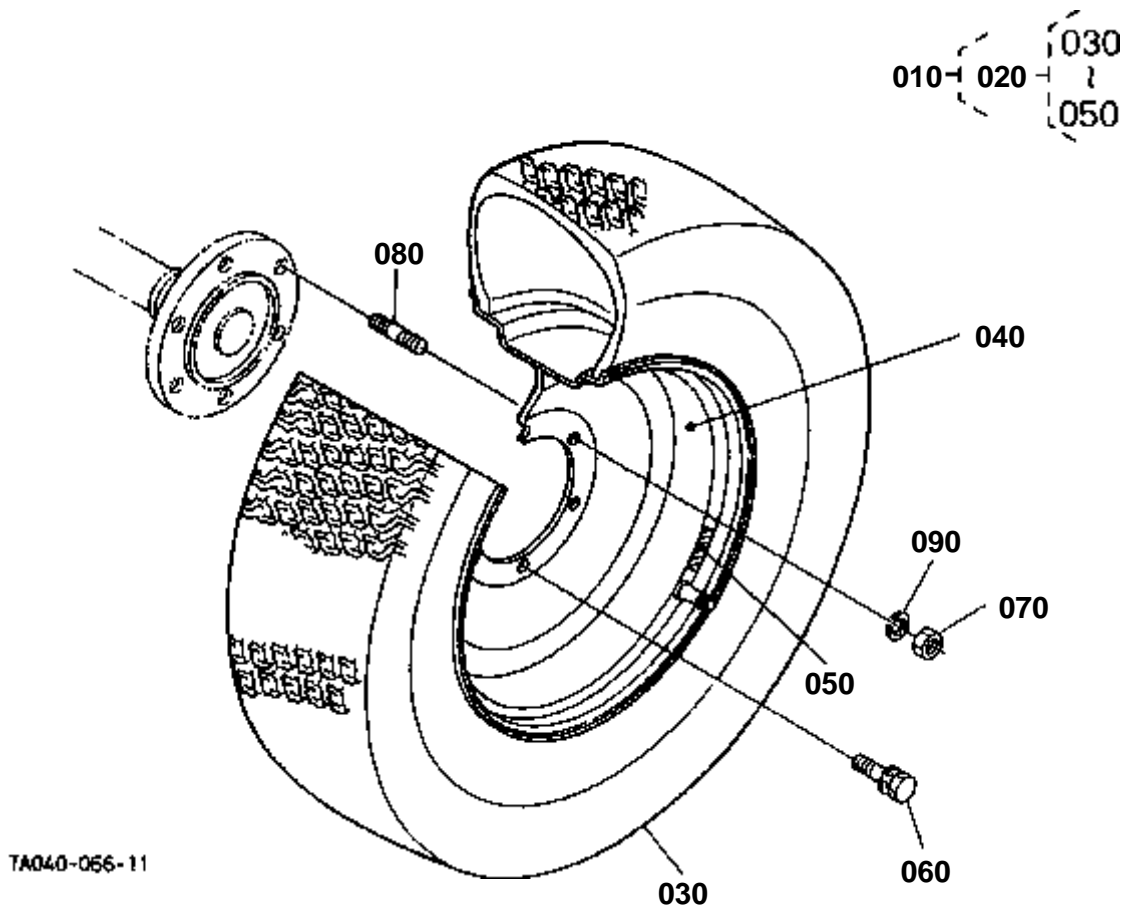


TA140-855-11

**REAR WHEEL (17.5-24)**

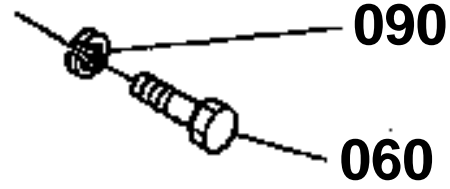
↔ Interchangeable; ≠ not interchangeable; ← new for old; → old for new

REF.No	Part No.	Description	Q'ty	S.No.	I/C	REMARKS	Weight (kgf)	Weight (lb)
010	TA040-27700	ASSY REAR WHEEL	1				0	0
020	TA040-27710	ASSY REAR WHEEL RH	1				0	0
030	TA040-27730	TIRE	1				0	0
040	35060-27840	RIM	1				0	0
050	35080-27660	DISK	1				0	0
060	75599-07760	HEXAGONE BOLT	4				0	0
070	70070-02009	WASHER	4				0	0
080	75599-31013	HEX.NUT	4				0	0
090	TA040-27750	LABEL TIRE RH	1				0	0
100	TA040-27720	ASSY REAR WHEEL LH	1				0	0
110	TA040-27730	TIRE	1				0	0
120	35060-27840	RIM	1				0	0
130	35080-27660	DISK	1				0	0
140	75599-07760	HEXAGONE BOLT	4				0	0
150	70070-02009	WASHER	4				0	0
160	75599-31013	HEX.NUT	4				0	0
170	TA040-27760	LABEL TIRE LH	1				0	0
180	01073-51630	BOLT	8	≤72093			0.079	0.1738
180	01033-51630	BOLT	8	≥72094	←		0	0
190	02076-50160	NUT	4				0.03	0.066
200	01517-51632	STUD	4	≤72760			0.076	0.1672
200	01517-51635	STUD	4	≥72761	←		0.08	0.176
210	04512-60160	WASHER SPRING	12	≤72093			0.01	0.022
210	04512-60160	WASHER SPRING	4	≥72094			0.01	0.022



060 01073-51630

090 04512-60160

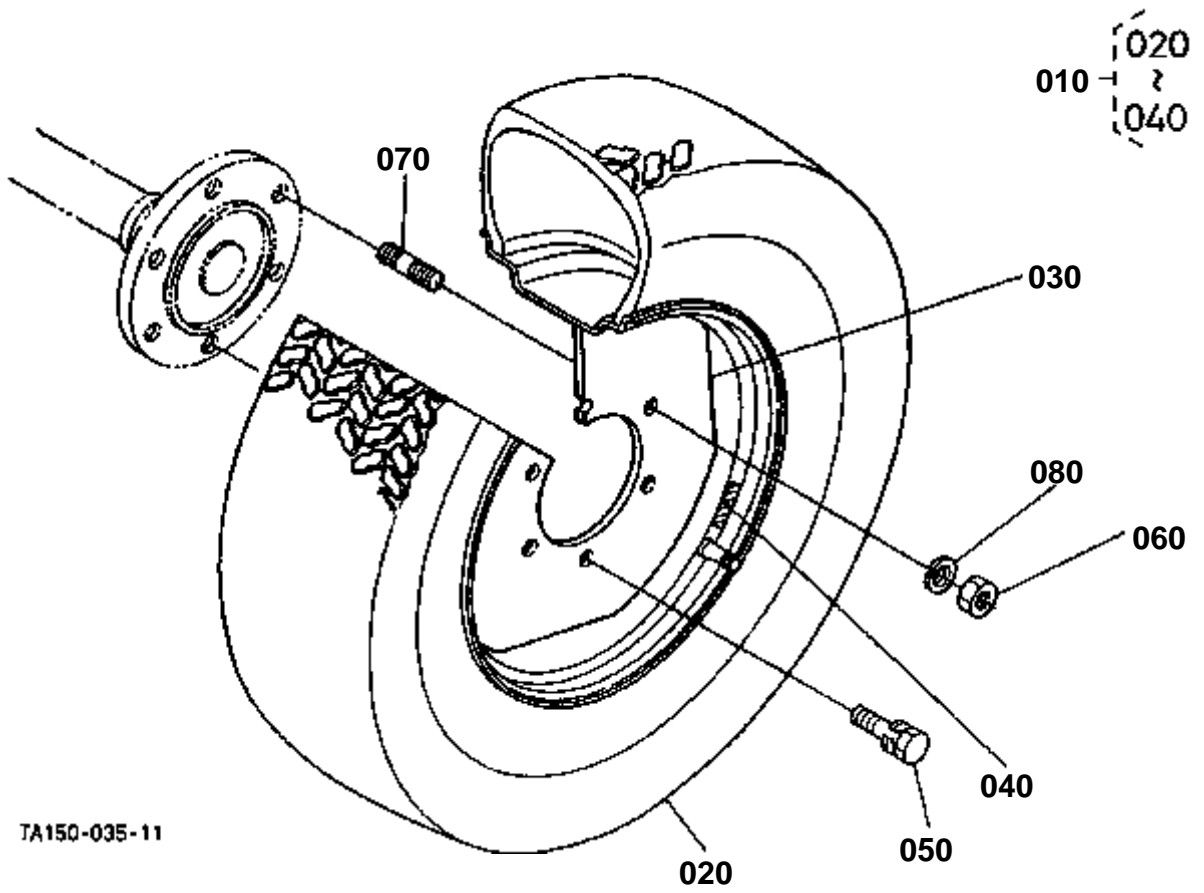


TA120-828-10

**REAR WHEEL (41*14.00-20)**

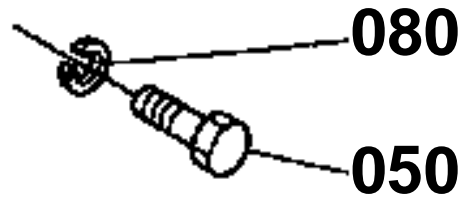
↔ Interchangeable; ≠ not interchangeable; ← new for old; → old for new

REF.No	Part No.	Description	Q'ty	S.No.	I/C	REMARKS	Weight (kgf)	Weight (lb)
010	35080-27900	ASSY REAR WHEEL	1				0	0
020	35080-27910	ASSY REAR WHEEL	2				0	0
030	35998-01880	ASSY TIRE REAR	2				0	0
040	35080-27950	WHEEL	2				0	0
050	35080-27870	LABEL TIRE	2				0	0
060	01073-51630	BOLT	8	≤72093			0.079	0.1738
060	01133-51630	BOLT	8	≥72094	←		0.42	0.924
070	02076-50160	NUT	4				0.03	0.066
080	01517-51632	STUD	4	≤72760			0.076	0.1672
080	01517-51635	STUD	4	≥72761	←		0.08	0.176
090	04512-60160	WASHER SPRING	12	≤72093			0.01	0.022
090	04512-60160	WASHER SPRING	4	≥72094			0.01	0.022



050 01073-51630

080 04512-60160

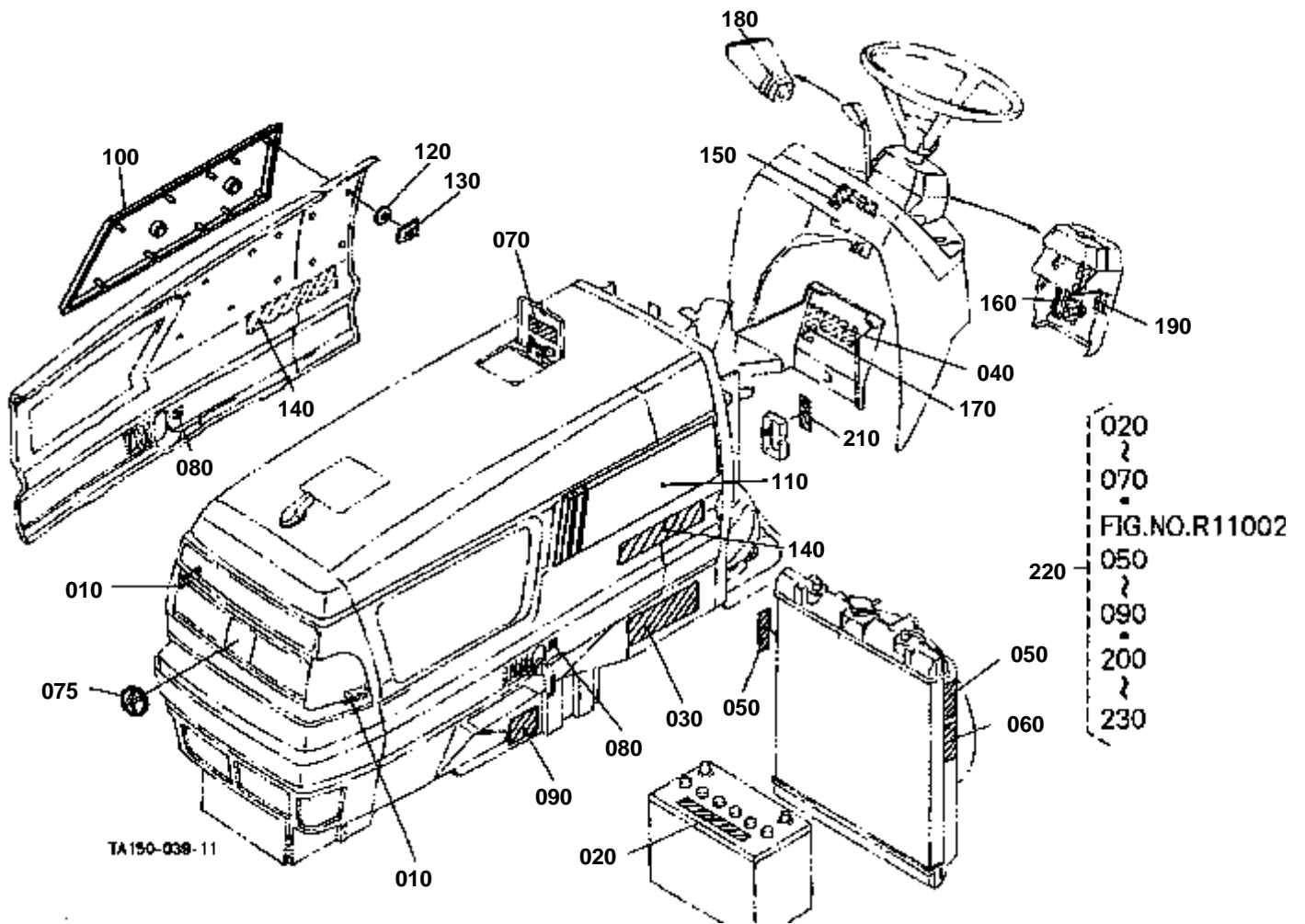


TA120-827-10

**REAR WHEEL (21.5L-16.1)**

↔ Interchangeable; ≠ not interchangeable; ← new for old; → old for new

REF.No	Part No.	Description	Q'ty	S.No.	I/C	REMARKS	Weight (kgf)	Weight (lb)
010	TA140-27700	ASSY TIRE	2				0	0
020	32550-42510	ASSY TIRE	2				0	0
030	35080-27720	WHEEL	2				0	0
040	35080-27730	LABEL TIRE	2				0	0
050	01073-51630	BOLT	8	≤72093			0.079	0.1738
050	01033-51630	BOLT	8	≥72094	←		0	0
060	02076-50160	NUT	4				0.03	0.066
070	01517-51632	STUD	4	≤72760			0.076	0.1672
070	01517-51635	STUD	4	≥72761	←		0.08	0.176
080	04512-60160	WASHER SPRING	12	≤72093			0.01	0.022
080	04512-60160	WASHER SPRING	4	≥72094			0.01	0.022

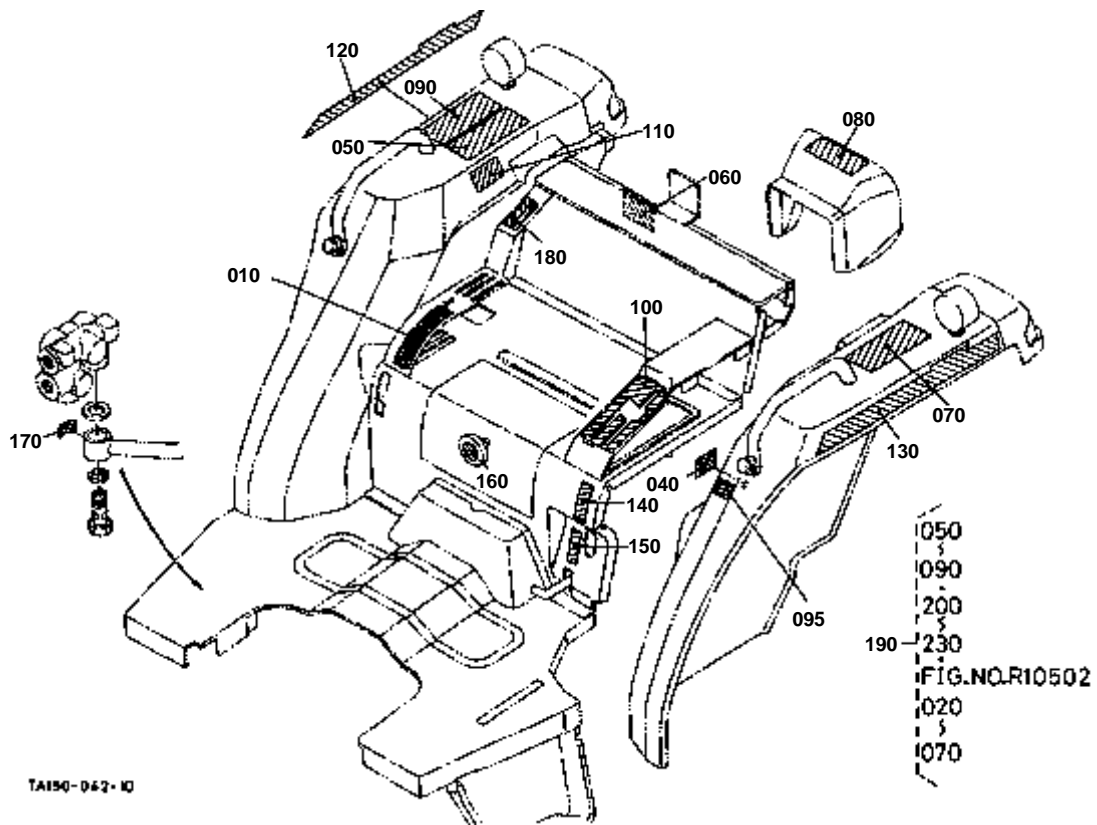




LABEL 1 [HST TYPE] [ROPS TYPE]

↔ Interchangeable; ≠ not interchangeable; ← new for old; → old for new

REF.No	Part No.	Description	Q'ty	S.No.	I/C	REMARKS	Weight (kgf)	Weight (lb)
010	T0270-65240	LABEL FRONT GRILLE	2				0.002	0.0044
020	TA040-30150	LABEL BATTERY	1			ENGLISH	0.002	0.0044
020	TA041-30150	LABEL BATTERY	1			FRENCH	0.005	0.011
030	TA040-49650	LABEL START CAUTION	1			ENGLISH	0.004	0.0088
030	TA041-49650	LABEL START CAUTION	1			FRENCH	0.004	0.0088
040	35080-65280	LABEL KEY STOP	1			ENGLISH	0.001	0.0022
040	35081-65280	LABEL KEY STOP	1			FRENCH	0.02	0.044
050	32751-49580	LABEL FAN BELT	2				0.001	0.0022
060	TA040-49580	LABEL MUFFLER	1				0.001	0.0022
070	TA040-49562	LABEL FUEL	1				0.002	0.0044
075	TA140-49500	MARK SYMBOL	1				0.013	0.0286
080	TA040-49440	MARK HANDLE	2				0.001	0.0022
090	99999-99999	NAME PLATE	1			NOT SALE	0	0
100	TA140-49400	ASSY LACE RH	1				0.27	0.594
110	TA140-49410	ASSY LACE LH	1				0.27	0.594
120	30400-65040	PLATE WASHER	14				0.001	0.0022
130	55611-44190	NUT	14				0.004	0.0088
140	TA150-49422	MARK MODEL	2				0	0
150	TA140-49360	MARK MAIN SWITCH	1				0.002	0.0044
160	TA040-49450	MARK TILT	1				0.001	0.0022
170	TA040-49460	LABEL PARKING	1				0.001	0.0022
180	TA040-49370	MARK ACCEL.GRIP	1				0.001	0.0022
190	6C050-47310	LABEL HST	1	<=72326			0	0
190	6C050-47312	LABEL HST	1	>=72327	←		0	0
200	99999-99999	BLANK	0				0	0
210	TA140-30430	LABEL FUSE	1			FRENCH	0.001	0.0022
220	TA140-99500	KIT LABEL SAFETY (A)	1			ENGLISH	0.06	0.132
220	TA141-99500	KIT LABEL SAFETY (B)	1			FRENCH	0.04	0.088



TA190-062-10



LABEL 2 [HST TYPE] [ROPS TYPE]

↔ Interchangeable; ≠ not interchangeable; ← new for old; → old for new

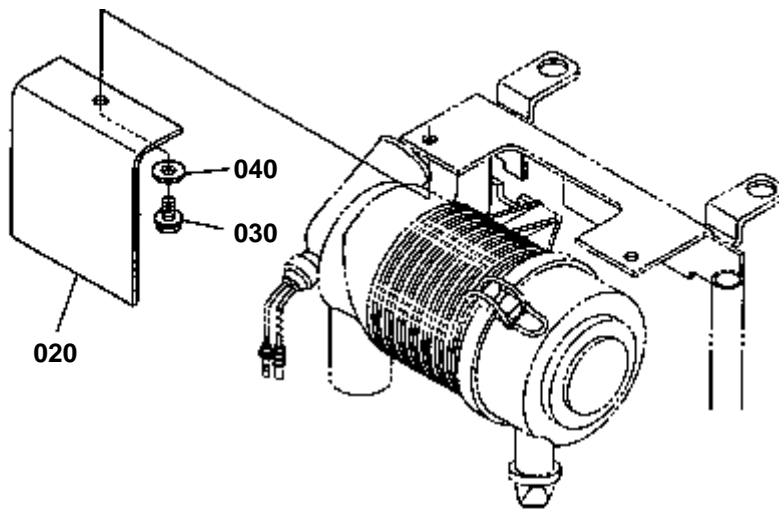
REF.No	Part No.	Description	Q'ty	S.No.	I/C	REMARKS	Weight (kgf)	Weight (lb)
010	TA040-49500	MARK POSITION	1				0.002	0.0044
020	99999-99999	BLANK	0				0	0
030	99999-99999	BLANK	0				0	0
040	34550-49700	LABEL	1				0.001	0.0022
050	TA040-49320	LABEL ROPS WARNING	1			ENGLISH	0.001	0.0022
050	TA040-49150	LABEL ROPS WARNING	1			FRENCH	0.003	0.0066
060	TA040-49350	LABEL DRAWBAR	1			ENGLISH	0.002	0.0044
060	TA041-49350	LABEL DRAWBAR	1			FRENCH	0.003	0.0066
070	35260-34913	LABEL SAFETY	1			ENGLISH	0.005	0.011
070	TA041-65700	LABEL SAFETY	1			FRENCH	0.01	0.022
080	TA040-49590	LABEL PTO WARNING	1			ENGLISH	0.002	0.0044
080	TA041-49590	LABEL PTO WARNING	1			FRENCH	0.005	0.011
090	TA240-49330	LABEL PARKING	1			ENGLISH	0.005	0.011
090	TA241-49330	LABEL PARKING WARNIN	1			FRENCH	0.005	0.011
095	6C070-47332	LABEL	1	<=72326			0.001	0.0022
095	TA240-49350	LABEL	1	>=72327	←		0	0
100	TA240-49210	MARK HST CHANGE	1				0.02	0.044
110	TA040-49310	LABEL PTO CAUTION	1				0.002	0.0044
120	TA240-48470	MARK HST RH	1				0.01	0.022
130	TA240-48480	MARK HST LH	1				0.01	0.022
140	TA040-49550	MARK 4WD	1				0.001	0.0022
150	TA040-49760	MARK DIFF.LOCK	1				0.001	0.0022
160	TA040-49510	MARK HYD.ADJUST.	1				0.001	0.0022
170	32430-65790	LABEL HYD.BLOCK	1				0.01	0.022
180	TA040-49160	MARK REAR PTO	1				0.001	0.0022
190	TA140-99500	KIT LABEL SAFETY (A)	1			ENGLISH	0.06	0.132
190	TA141-99500	KIT LABEL SAFETY (B)	1			FRENCH	0.04	0.088
200	TA140-49330	LABEL SHUTTLE	1			NOT SHOWN IN FIG.	0.005	0.011
200	TA141-49330	LABEL SHUTTLE	1			NOT SHOWN IN FIG.	0.005	0.011
210	TA140-49920	LABEL SHUTTLE	1			NOT SHOWN IN FIG.	0.005	0.011
210	TA141-49920	LABEL SHUTTLE	1			NOT SHOWN IN FIG.	0.005	0.011
220	TA040-49020	LABEL CAB WARNING	1			NOT SHOWN IN FIG.	0.002	0.0044
220	TA043-49020	LABEL CAB WARNING	1			NOT SHOWN IN FIG.	0.005	0.011
230	TA040-49340	LABEL M-PTO WARNING	1	<=72557		NOT SHOWN IN FIG.	0.001	0.0022
230	TA040-49342	LABEL M-PTO WARNING	1	>=72558	←	NOT SHOWN IN FIG.	0	0
230	TA041-49340	LABEL M-PTO WARNING	1	<=72557		NOT SHOWN IN FIG.	0.003	0.0066
230	TA041-49342	LABEL M-PTO WARNING	1	>=72558	←	NOT SHOWN IN FIG.	0	0



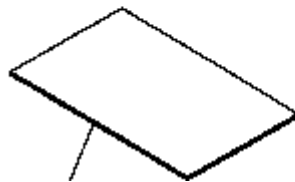
ACCESSORIES AND SERVICE PARTS

↔ Interchangeable; ≠ not interchangeable; ← new for old; → old for new

REF.No	Part No.	Description	Q'ty	S.No.	I/C	REMARKS	Weight (kgf)	Weight (lb)
010	TA140-19715	MANUAL INSTRUCTION	1			ENGLISH	0.15	0.33
010	TA140-19723	MANUAL INSTRUCTION	1			FRENCH	0	0
015	1G511-89810	STATEMENT WARRANTY	1				0.01	0.022
030	35260-31852	ASSY KEY MAIN SWITCH	1			ROPS TYPE	0.02	0.044
040	01073-51630	BOLT	8	≤72093		FOR REAR WHEEL	0.079	0.1738
040	01033-51630	BOLT	8	≥72094	←	FOR REAR WHEEL	0	0
050	02076-50160	NUT	4			FOR REAR WHEEL	0.03	0.066
060	01517-51632	STUD	4	≤72760		FOR REAR WHEEL	0.076	0.1672
060	01517-51635	STUD	4	≥72761	←	FOR REAR WHEEL	0.08	0.176
070	04512-60160	WASHER SPRING	12	≤72093		FOR REAR WHEEL	0.01	0.022
070	04512-60160	WASHER SPRING	4	≥72094		FOR REAR WHEEL	0.01	0.022
080	35450-49160	STUD	12	≤70846		FOR FRONT WHEEL	0.05	0.11
080	TA150-49160	STUD WHEEL	12	≥70847	≠	FOR FRONT WHEEL	0	0
090	35340-11390	NUT	12			FOR FRONT WHEEL	0.03	0.066



020
010 → 2
050



050

TA140-297-10

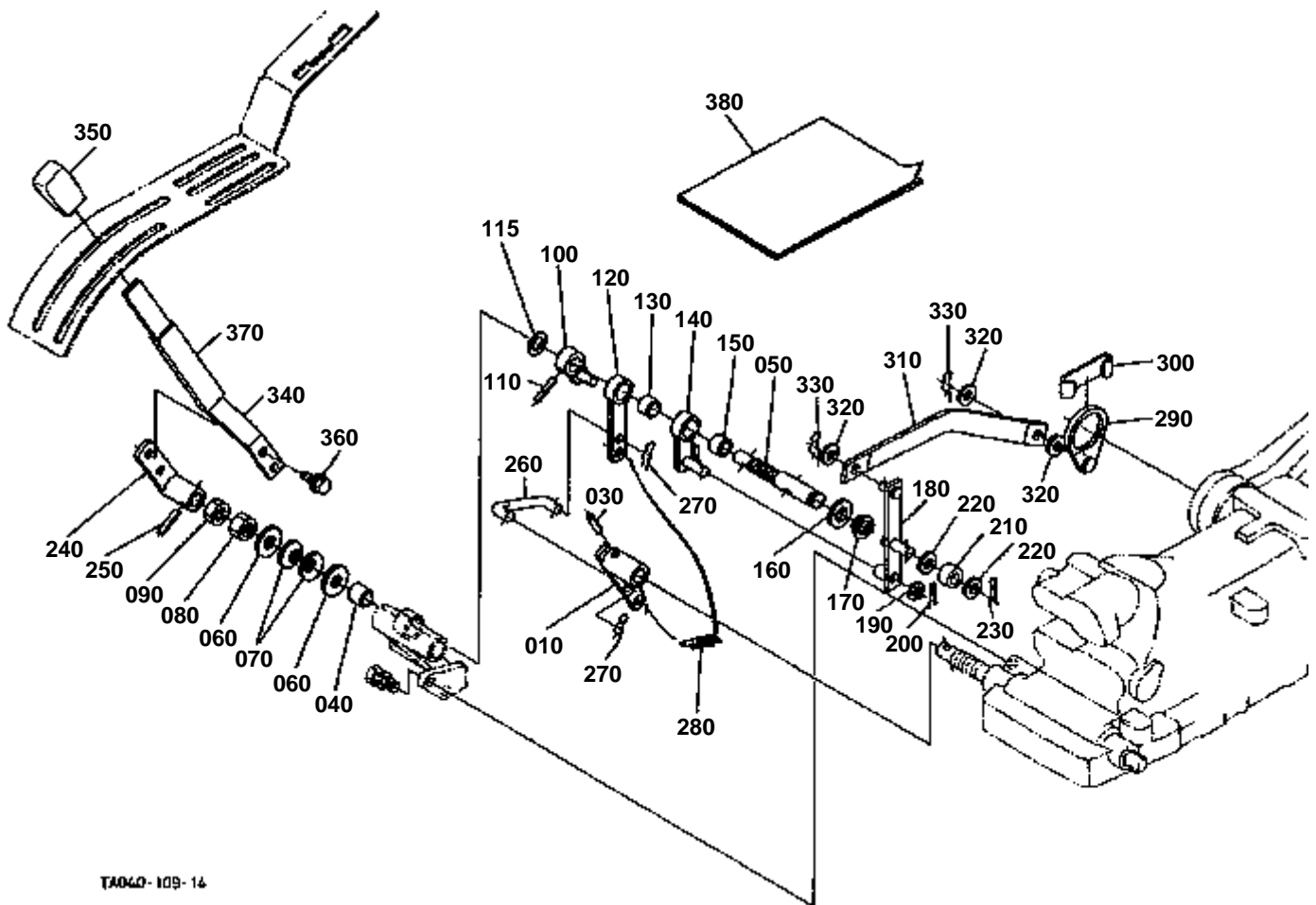


AIR CLEANER COVER KIT [OPTION]

↔ Interchangeable; ≠ not interchangeable; ← new for old; → old for new

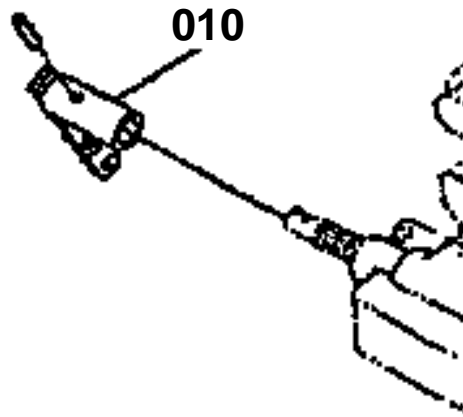
REF.No	Part No.	Description	Q'ty	S.No.	I/C	REMARKS	Weight (kgf)	Weight (lb)
010	TA140-93220	KIT COVER AIR CLEANER	1				0	0
020	TA140-93230	COVER AIR CLEANER	1				0	0
030	01754-50825	BOLT FLANGE	1				0.01	0.022
040	04015-60080	WASHER PLAIN	1				0.01	0.022
050	99999-99999	MANUAL INSTRUCTION	1				0	0

POSITION CONTROL LEVER (WITH DRAFT) [OPTION]



TA040-109-14

010 TA040-3831-2



TA129-805-11

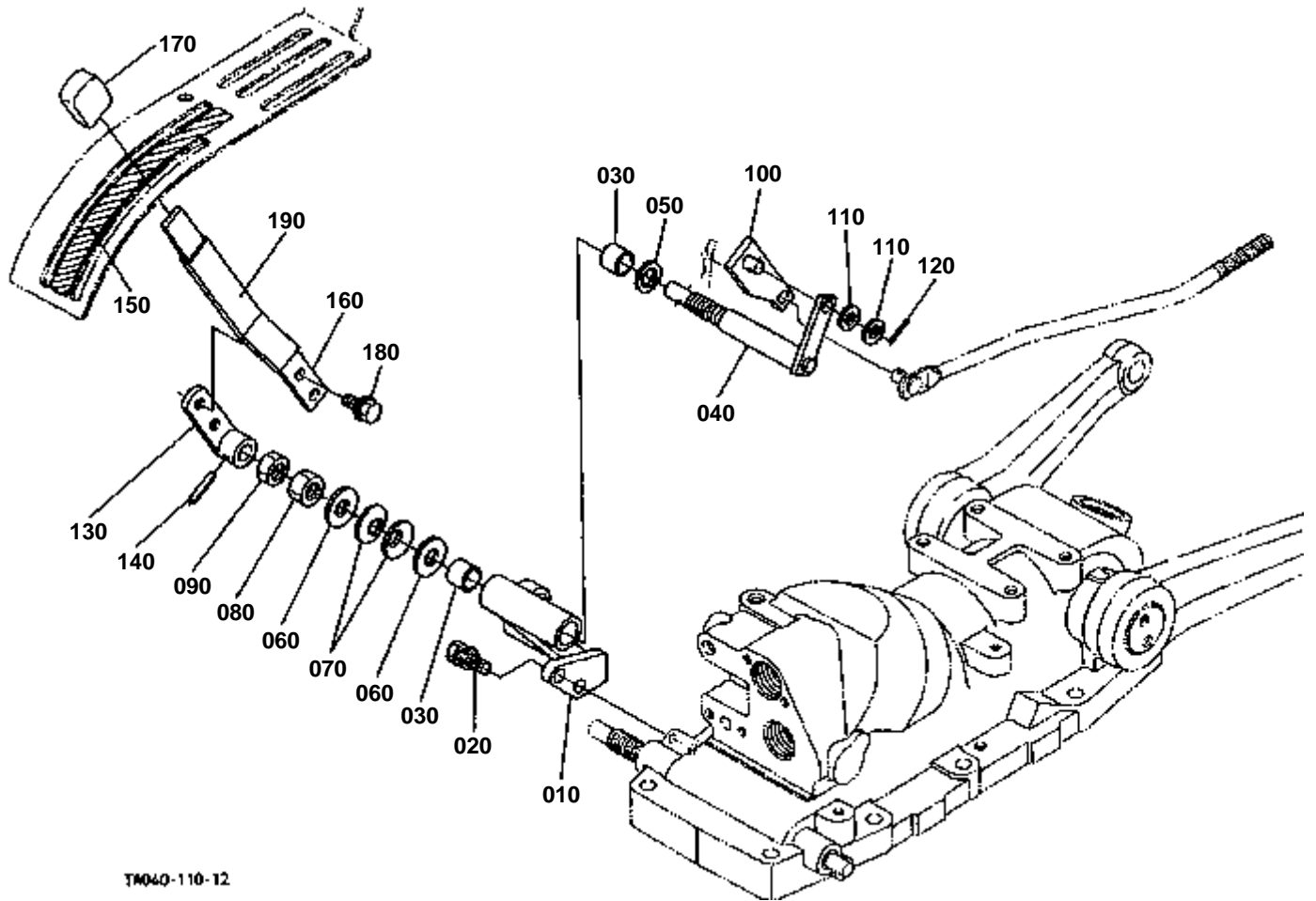


POSITION CONTROL LEVER (WITH DRAFT) [OPTION]
(AVEC TYPE D'EFFORT) [OPTION]

↔ Interchangeable; ≠ not interchangeable; ← new for old; → old for new

REF.No	Part No.	Description	Q'ty	S.No.	I/C	REMARKS	Weight (kgf)	Weight (lb)
010	TA040-38312	LINK CONTROL	1	≤71692			0.15	0.33
010	TA140-38310	LINK CONTROL	1	≥71693	≠		0	0
020	99999-99999	BLANK	0				0	0
030	05411-00525	PIN SPRING	1				0.002	0.0044
040	08511-01615	BUSH	1				0.01	0.022
050	TA040-38122	SHAFT DRAFT	1				0.14	0.308
060	04013-60140	WASHER PLAIN	2				0.01	0.022
070	34260-36880	SPRING PLATE	2				0.006	0.0132
080	02174-50140	NUT	1				0.014	0.0308
090	02172-50140	NUT	1				0.01	0.022
100	TA040-38142	LINK DRAFT	1				0.065	0.143
110	05411-00525	PIN SPRING	1				0.002	0.0044
115	04714-00300	GASKET	1				0.002	0.0044
120	TA040-38150	LINK DRAFT	1				0.065	0.143
130	08511-01612	BUSH	1				0.005	0.011
140	TA040-38160	LINK DRAFT	1				0.07	0.154
150	08511-01612	BUSH	1				0.005	0.011
160	04011-60160	WASHER PLAIN	1				0.01	0.022
170	04612-00160	CIR CLIP EXTERNAL	1				0.001	0.0022
180	TA040-38170	LINK DRAFT	1				0.095	0.209
190	04012-50080	WASHER PLAIN	1				0.001	0.0022
200	05511-50215	PIN SPLIT	1				0.001	0.0022
210	TA040-38190	COLLAR	1				0.02	0.044
220	04011-50100	WASHER PLAIN	2				0.002	0.0044
230	05511-50320	PIN SPLIT	1				0.002	0.0044
240	TA040-38212	LEVER POSITION	1				0.13	0.286
250	05411-00525	PIN SPRING	1				0.002	0.0044
260	TA040-38322	ROD CONTROL	1				0.045	0.099
270	05525-50800	PIN SNAP	2				0.001	0.0022
280	36919-27830	SPRING	1				0.01	0.022
290	TA040-38262	HOLDER	1				0.06	0.132
300	99999-99999	BLANK	0				0	0
310	TA040-38282	ROD DRAFT	1				0.145	0.319
320	04012-50080	WASHER PLAIN	3				0.001	0.0022
330	05525-50800	PIN SNAP	2				0.001	0.0022
340	TA040-38230	LEVER POSITION	1				0.18	0.396
350	52300-32640	GRIP LEVER	1				0.04	0.088
360	01754-50612	BOLT FLANGE	2				0.005	0.011
370	TA040-36132	TUBE LEVER	1				0.01	0.022
380	99999-99999	MANUAL ASSEMBLY	1				0	0

DRAFT CONTROL LEVER (WITH DRAFT) [OPTION]



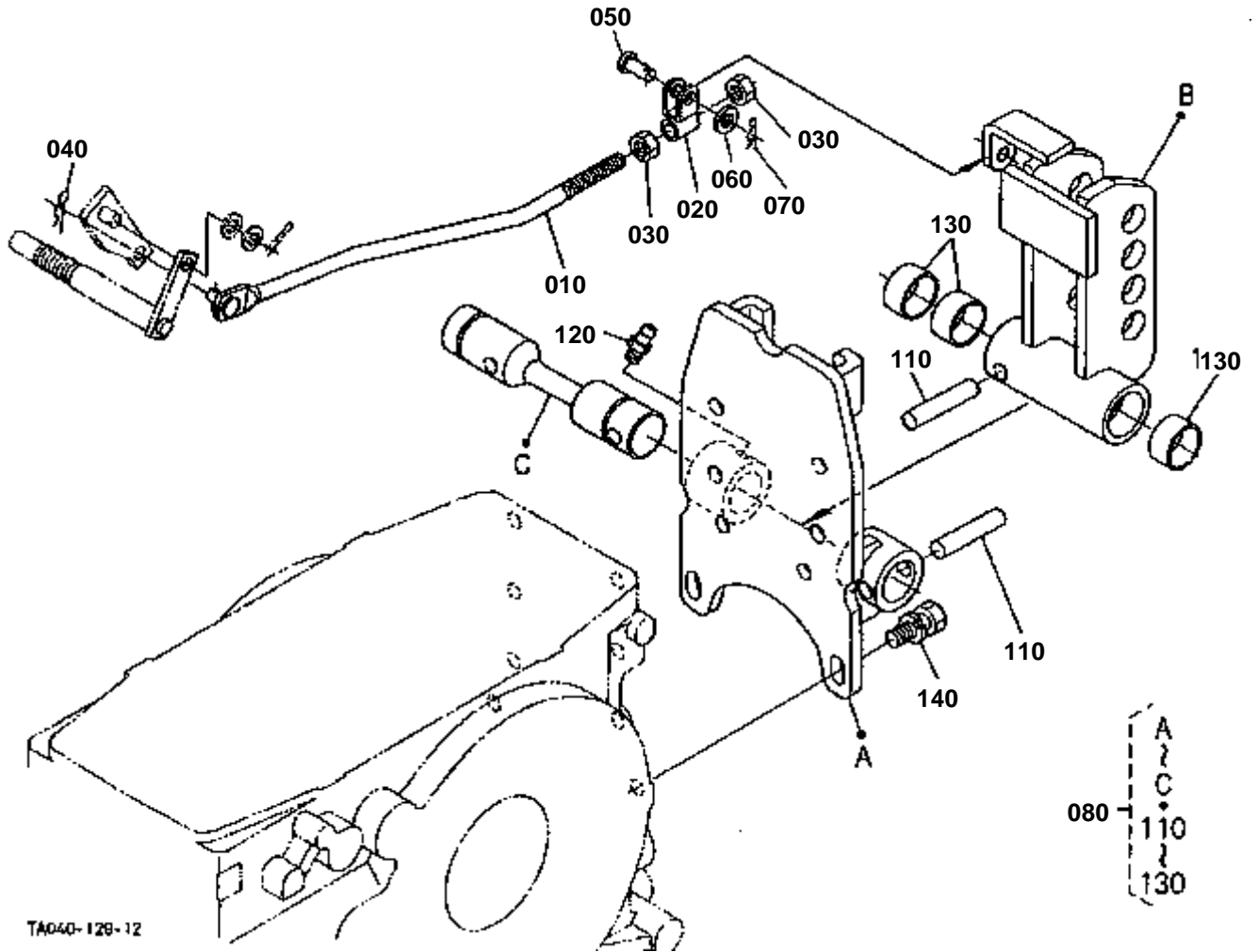


DRAFT CONTROL LEVER (WITH DRAFT) [OPTION]
[OPTION]

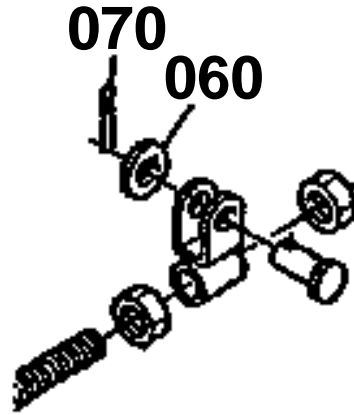
↔ Interchangeable; ≠ not interchangeable; ← new for old; → old for new

REF.No	Part No.	Description	Q'ty	S.No.	I/C	REMARKS	Weight (kgf)	Weight (lb)
010	TA040-38114	STAY	1				0.255	0.561
020	01123-50822	BOLT	2				0.012	0.0264
030	08511-01615	BUSH	2				0.01	0.022
040	TA040-38132	SHAFT DRAFT	1				0.22	0.484
050	04714-00300	GASKET	1				0.002	0.0044
060	04013-60140	WASHER PLAIN	2				0.01	0.022
070	34260-36880	SPRING PLATE	2				0.006	0.0132
080	02174-50140	NUT	1				0.014	0.0308
090	02172-50140	NUT	1				0.01	0.022
100	TA040-38182	LEVER CAM	1				0.085	0.187
110	04012-50080	WASHER PLAIN	2				0.001	0.0022
120	05511-50215	PIN SPLIT	1				0.001	0.0022
130	TA040-38222	LEVER DRAFT	1				0.095	0.209
140	05411-00525	PIN SPRING	1				0.002	0.0044
150	TA040-49520	MARK DRAFT	1				0.003	0.0066
160	TA040-38240	LEVER DRAFT	1				0.16	0.352
170	37410-43560	GRIP LEVER	1				0.025	0.055
180	01754-50612	BOLT FLANGE	2				0.005	0.011
190	TA040-36132	TUBE LEVER	1				0.01	0.022

TOP LINK HOLDER (WITH DRAFT) [OPTION]



060 04012-50080
070 05511-50218



TA150-819-10

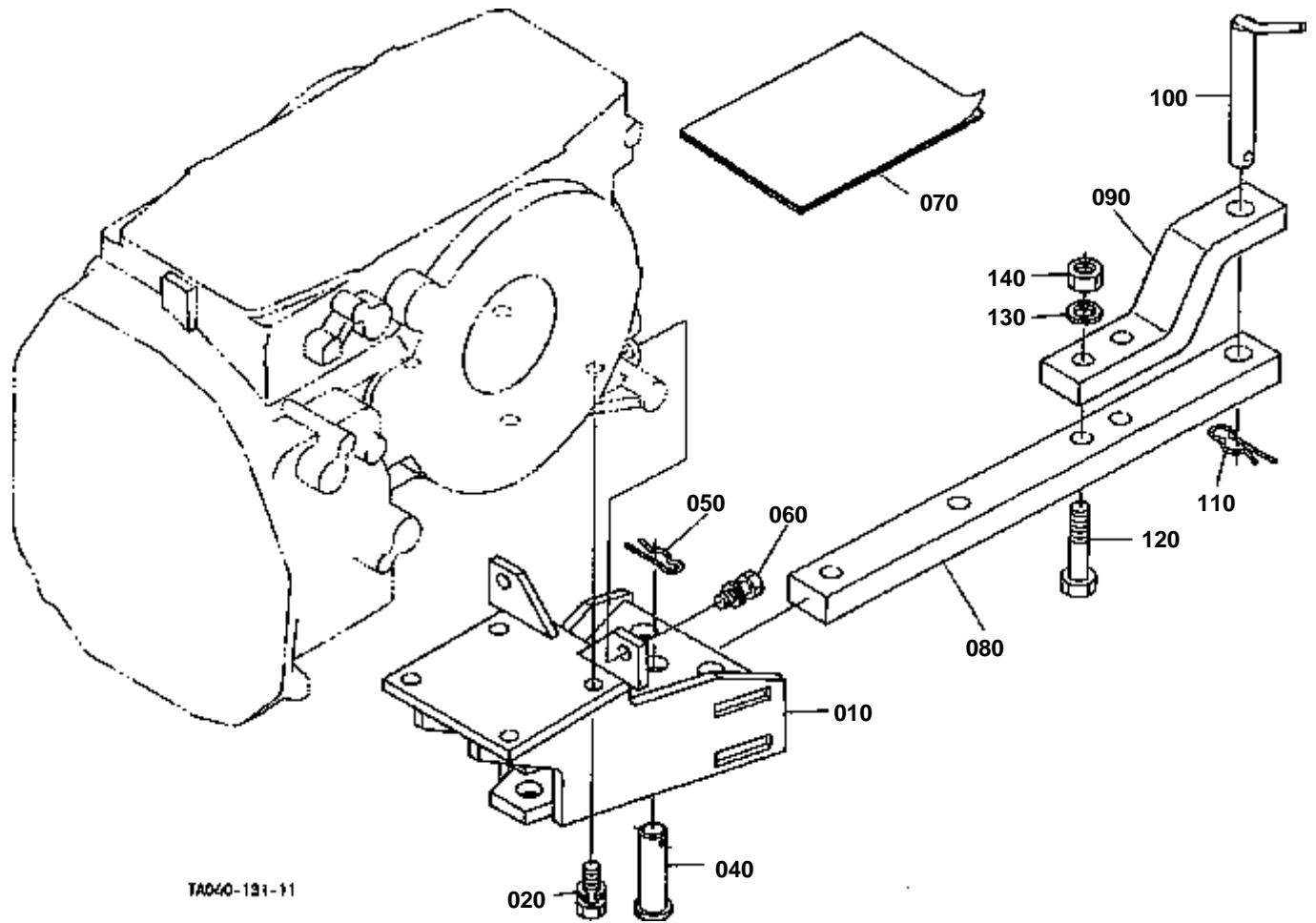


TOP LINK HOLDER (WITH DRAFT) [OPTION]
(AVEC TYPE D'EFFORT) [OPTION]

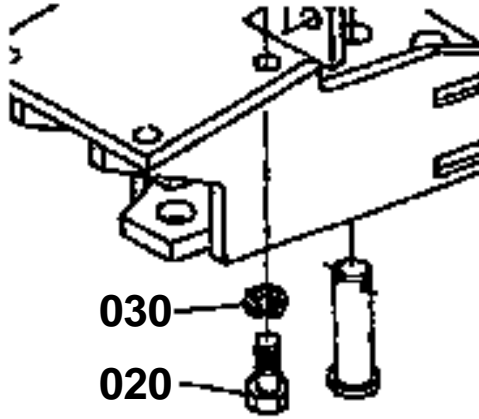
↔ Interchangeable; ≠ not interchangeable; ← new for old; → old for new

REF.No	Part No.	Description	Q'ty	S.No.	I/C	REMARKS	Weight (kgf)	Weight (lb)
010	TA040-38360	ROD DRAFT	1				0.192	0.4224
020	TA040-38350	HOLDER	1				0.033	0.0726
030	02116-50100	NUT	2				0.004	0.0088
040	05525-50800	PIN SNAP	1				0.001	0.0022
050	05122-50818	PIN JOINT	1				0.008	0.0176
060	04012-50080	WASHER PLAIN	1				0.001	0.0022
070	05511-50218	PIN SPLIT	1	<=73371			0.001	0.0022
070	05525-50800	PIN SNAP	1	>=73372	≠		0.001	0.0022
080	35080-41400	COMP HOLDER TOP LINK	1				6.85	15.07
090	99999-99999	BLANK	0				0	0
100	99999-99999	BLANK	0				0	0
110	37300-41440	PIN STRAIGHT	2				0.055	0.121
120	06613-10010	NIPPLE GREASE	2				0.006	0.0132
130	37300-41450	BUSH	3				0.03	0.066
140	01133-51230	BOLT	6				0.04	0.088

SWINGING DRAWBAR/CLEVIS DRAWBAR [OPTION]



020 01176-51430
030 04512-60140



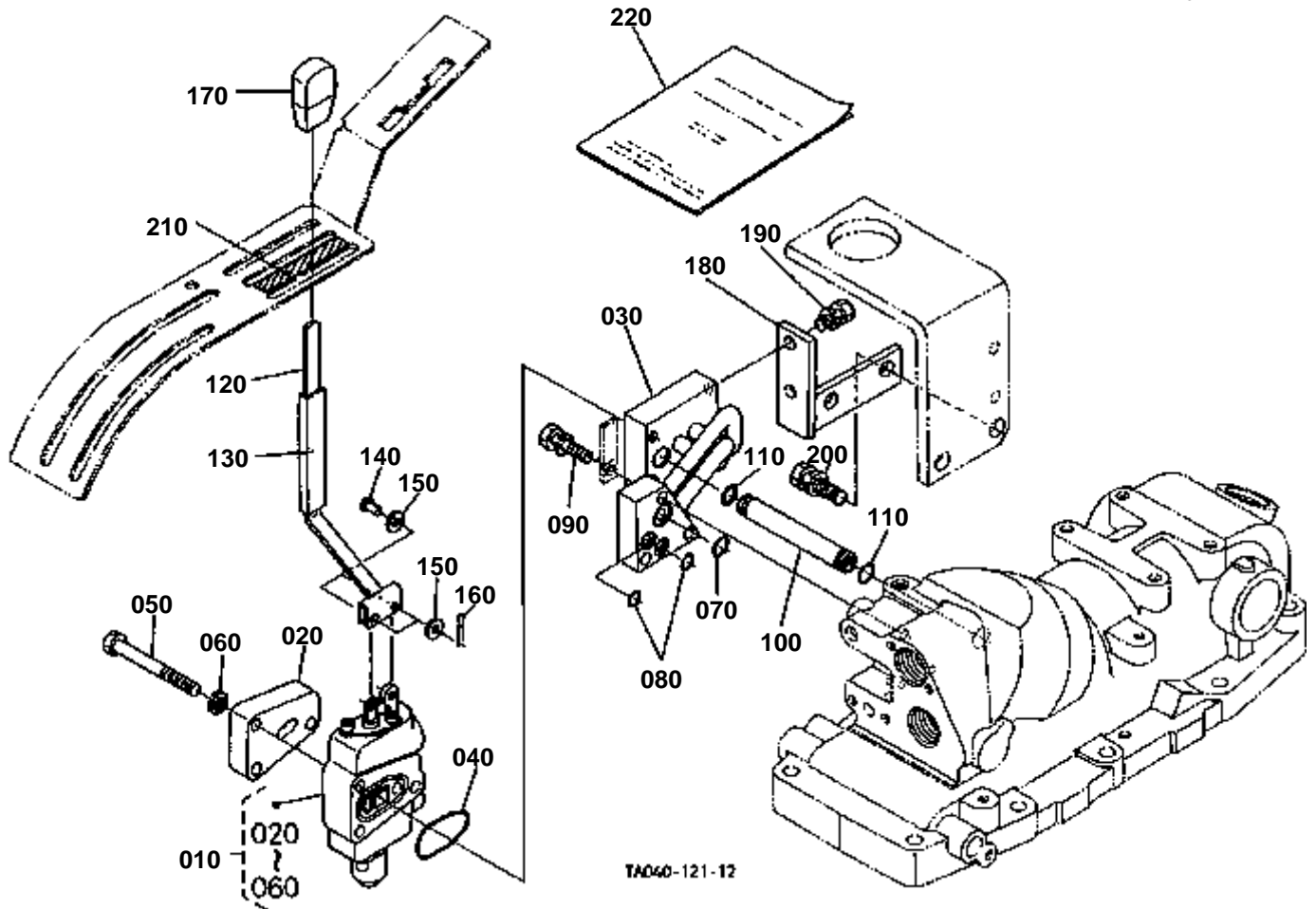
TA150-807-10



SWINGING DRAWBAR/CLEVIS DRAWBAR [OPTION]
[OPTION]

↔ Interchangeable; ≠ not interchangeable; ← new for old; → old for new

REF.No	Part No.	Description	Q'ty	S.No.	I/C	REMARKS	Weight (kgf)	Weight (lb)
010	TA040-29830	FRAME SWING DRAWBAR	1	<=72760			7.9	17.38
010	TA040-29832	FRAME SWING DRAWBAR	1	>=72761	←		7.9	17.38
020	01176-51430	BOLT	4	<=72388			0.052	0.1144
020	01138-51430	BOLT	4	>=72389	←		0	0
030	04512-60140	WASHER SPRING	4	<=72388			0.006	0.0132
040	05122-52070	PIN JOINT	3				0.186	0.4092
050	05515-51600	PIN SNAP	3				0.007	0.0154
060	01133-51230	BOLT	2				0.04	0.088
070	TA040-98520	MANUAL ASSEMBLY	1				0.005	0.011
080	35080-29710	DRAWBAR	1				7	15.4
090	35080-29720	HITCH DRAWBAR	1				2.8	6.16
100	99533-78250	PIN	1				0.61	1.342
110	70515-16330	PIN SPRING	1				0.028	0.0616
120	01170-51680	BOLT	2				0.14	0.308
130	04512-60160	WASHER SPRING	2				0.01	0.022
140	02174-50160	NUT	2				0.022	0.0484

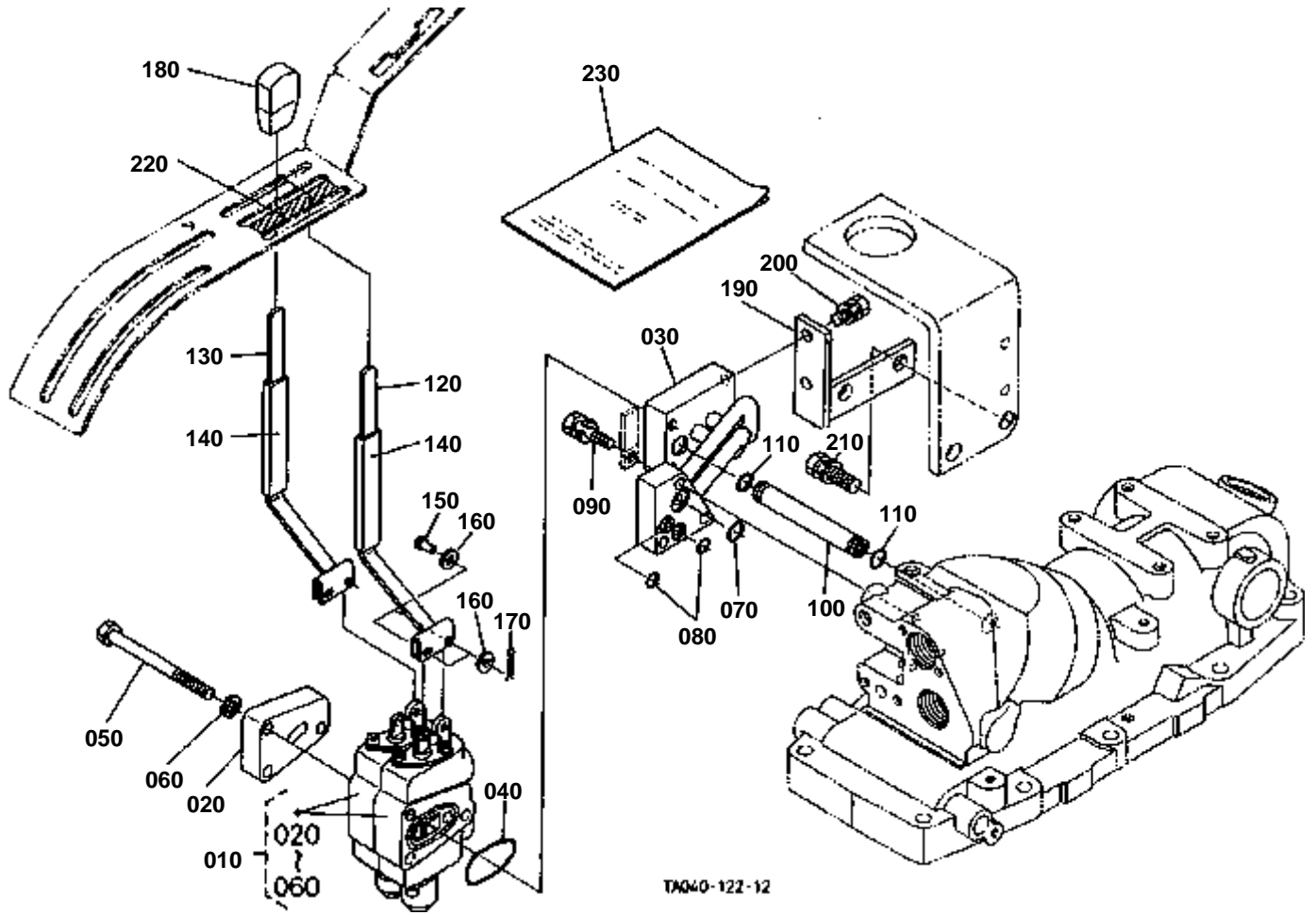




REMOTE CONTROL VALVE LEVER 1 [ROPS TYPE] [OPTION]
[EXCEPTE TYPE CABINE] [OPTION]

↔ Interchangeable; ≠ not interchangeable; ← new for old; → old for new

REF.No	Part No.	Description	Q'ty	S.No.	I/C	REMARKS	Weight (kgf)	Weight (lb)
010	TA040-96500	ASSY VALVE AUX.CON.	1				3.3	7.26
020	TA040-96122	COVER AUX.CON.VALVE	1	<=73533			0.475	1.045
020	TA040-96123	COVER AUX.CON.VALVE	1	>=73534	←		0.475	1.045
030	TA040-96142	ASSY PIPE CONT.VALVE	1				1.4	3.08
040	04811-50400	O RING	1				0.002	0.0044
040	04817-50400	O RING	1		←		0.003	0.0066
050	01153-50870	BOLT	3				0.026	0.0572
060	04512-60080	WASHER SPRING	3				0.002	0.0044
070	04810-00140	O RING	1				0.001	0.0022
070	04817-00140	O RING	1		←		0	0
080	04810-00100	O RING	2				0.001	0.0022
080	04817-00100	O RING	2		←		0	0
090	01123-50835	BOLT	3				0.02	0.044
100	TA040-96150	PIPE RETURN	1				0.045	0.099
110	04811-00110	O RING	2				0.001	0.0022
110	04817-00110	O RING	2		←		0.001	0.0022
120	TA040-96220	LEVER AUX.CON.VALVE	1				0.11	0.242
130	TA040-96250	TUBE LEVER	1				0.007	0.0154
140	68021-32790	PIN	2				0.004	0.0088
150	04012-50050	WASHER PLAIN	4				0.001	0.0022
160	05511-51210	PIN SPLIT	2				0.001	0.0022
170	31355-82290	GRIP LEVER	1				0.015	0.033
180	TA040-96160	STAY AUX.CONT.VALVE	1				0.25	0.55
190	01123-50820	BOLT	2				0.011	0.0242
200	01133-51235	BOLT	2				0.05	0.11
210	TA040-49610	MARK AUX.CONT.VALVE	1				0.001	0.0022
220	TA040-98140	MANUAL ASSEMBLY	1	<=73371			0.015	0.033
220	TA040-98142	MANUAL ASSEMBLY	1	>=73372	←		0.015	0.033

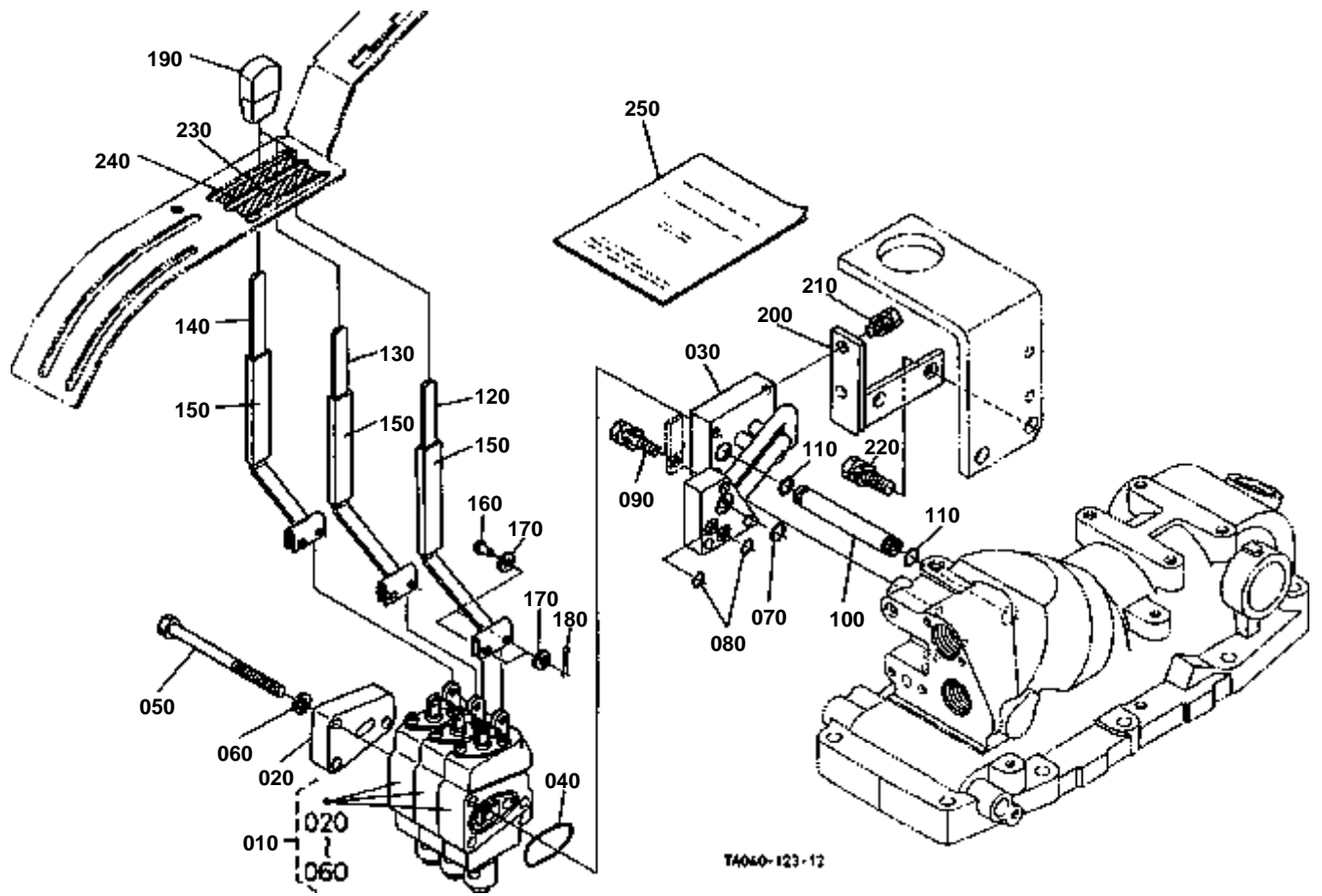




REMOTE CONTROL VALVE LEVER 2 [ROPS TYPE] [OPTION]
[EXCEPTE TYPE CABINE] [OPTION]

↔ Interchangeable; ≠ not interchangeable; ← new for old; → old for new

REF.No	Part No.	Description	Q'ty	S.No.	I/C	REMARKS	Weight (kgf)	Weight (lb)
010	TA040-96102	ASSY VALVE AUX.CON.	1				4.7	10.34
020	TA040-96122	COVER AUX.CON.VALVE	1	<=73533			0.475	1.045
020	TA040-96123	COVER AUX.CON.VALVE	1	>=73534	←		0.475	1.045
030	TA040-96142	ASSY PIPE CONT.VALVE	1				1.4	3.08
040	04811-50400	O RING	1				0.002	0.0044
040	04817-50400	O RING	1		←		0.003	0.0066
050	01153-50800	BOLT	3				0.036	0.0792
060	04512-60080	WASHER SPRING	3				0.002	0.0044
070	04810-00140	O RING	1				0.001	0.0022
070	04817-00140	O RING	1		←		0	0
080	04810-00100	O RING	2				0.001	0.0022
080	04817-00100	O RING	2		←		0	0
090	01123-50835	BOLT	3				0.02	0.044
100	TA040-96150	PIPE RETURN	1				0.045	0.099
110	04811-00110	O RING	2				0.001	0.0022
110	04817-00110	O RING	2		←		0.001	0.0022
120	TA040-96220	LEVER AUX.CON.VALVE	1				0.11	0.242
130	TA040-96234	LEVER AUX.CON.VALVE	1				0.1	0.22
140	TA040-96250	TUBE LEVER	2				0.007	0.0154
150	68021-32790	PIN	4				0.004	0.0088
160	04012-50050	WASHER PLAIN	8				0.001	0.0022
170	05511-51210	PIN SPLIT	4				0.001	0.0022
180	31355-82290	GRIP LEVER	2				0.015	0.033
190	TA040-96160	STAY AUX.CONT.VALVE	1				0.25	0.55
200	01123-50820	BOLT	2				0.011	0.0242
210	01133-51235	BOLT	2				0.05	0.11
220	TA040-49610	MARK AUX.CONT.VALVE	1				0.001	0.0022
230	TA040-98140	MANUAL ASSEMBLY	1	<=73371			0.015	0.033
230	TA040-98142	MANUAL ASSEMBLY	1	>=73372	←		0.015	0.033



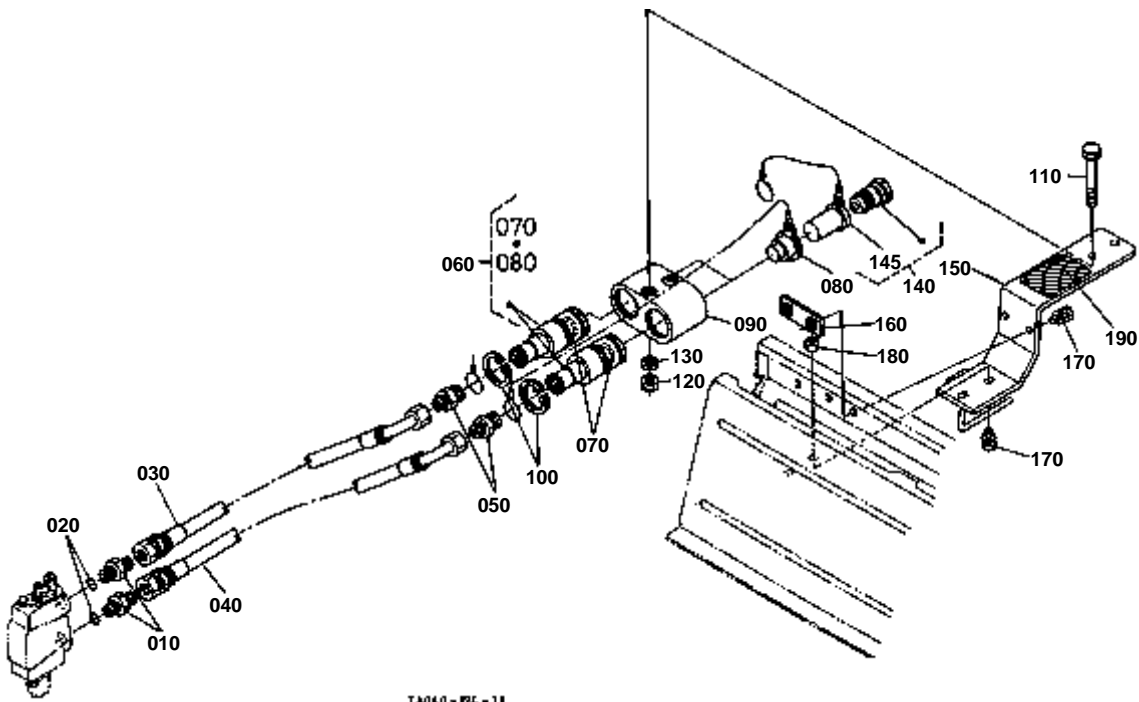


REMOTE CONTROL VALVE LEVER 3 [ROPS TYPE] [OPTION]
[EXCEPTE TYPE CABINE] [OPTION]

↔ Interchangeable; ≠ not interchangeable; ← new for old; → old for new

REF.No	Part No.	Description	Q'ty	S.No.	I/C	REMARKS	Weight (kgf)	Weight (lb)
010	TA040-96300	ASSY VALVE AUX.CON.	1				6.1	13.42
020	TA040-96122	COVER AUX.CON.VALVE	1	<=73533			0.475	1.045
020	TA040-96123	COVER AUX.CON.VALVE	1	>=73534	←		0.475	1.045
030	TA040-96142	ASSY PIPE CONT.VALVE	1				1.4	3.08
040	04811-50400	O RING	1				0.002	0.0044
040	04817-50400	O RING	1		←		0.003	0.0066
050	45404-95180	BOLT	3				0.05	0.11
060	04512-60080	WASHER SPRING	3				0.002	0.0044
070	04810-00140	O RING	1				0.001	0.0022
070	04817-00140	O RING	1		←		0	0
080	04810-00100	O RING	2				0.001	0.0022
080	04817-00100	O RING	2		←		0	0
090	01123-50835	BOLT	3				0.02	0.044
100	TA040-96150	PIPE RETURN	1				0.045	0.099
110	04811-00110	O RING	2				0.001	0.0022
110	04817-00110	O RING	2		←		0.001	0.0022
120	TA040-96220	LEVER AUX.CON.VALVE	1				0.11	0.242
130	TA040-96234	LEVER AUX.CON.VALVE	1				0.1	0.22
140	TA040-96240	LEVER AUX.CON.VALVE	1				0.105	0.231
150	TA040-96250	TUBE LEVER	3				0.007	0.0154
160	68021-32790	PIN	6				0.004	0.0088
170	04012-50050	WASHER PLAIN	12				0.001	0.0022
180	05511-51210	PIN SPLIT	6				0.001	0.0022
190	31355-82290	GRIP LEVER	3				0.015	0.033
200	TA040-96160	STAY AUX.CON.VALVE	1				0.25	0.55
210	01123-50820	BOLT	2				0.011	0.0242
220	01133-51235	BOLT	2				0.05	0.11
230	TA040-49610	MARK AUX.CONT.VALVE	1				0.001	0.0022
240	TA040-49630	MARK AUX.CONT.VALVE	1				0.001	0.0022
250	TA040-98140	MANUAL ASSEMBLY	1	<=73371			0.015	0.033
250	TA040-98142	MANUAL ASSEMBLY	1	>=73372	←		0.015	0.033

REMOTE CONTROL VALVE COUPLER 1 [OPTION]



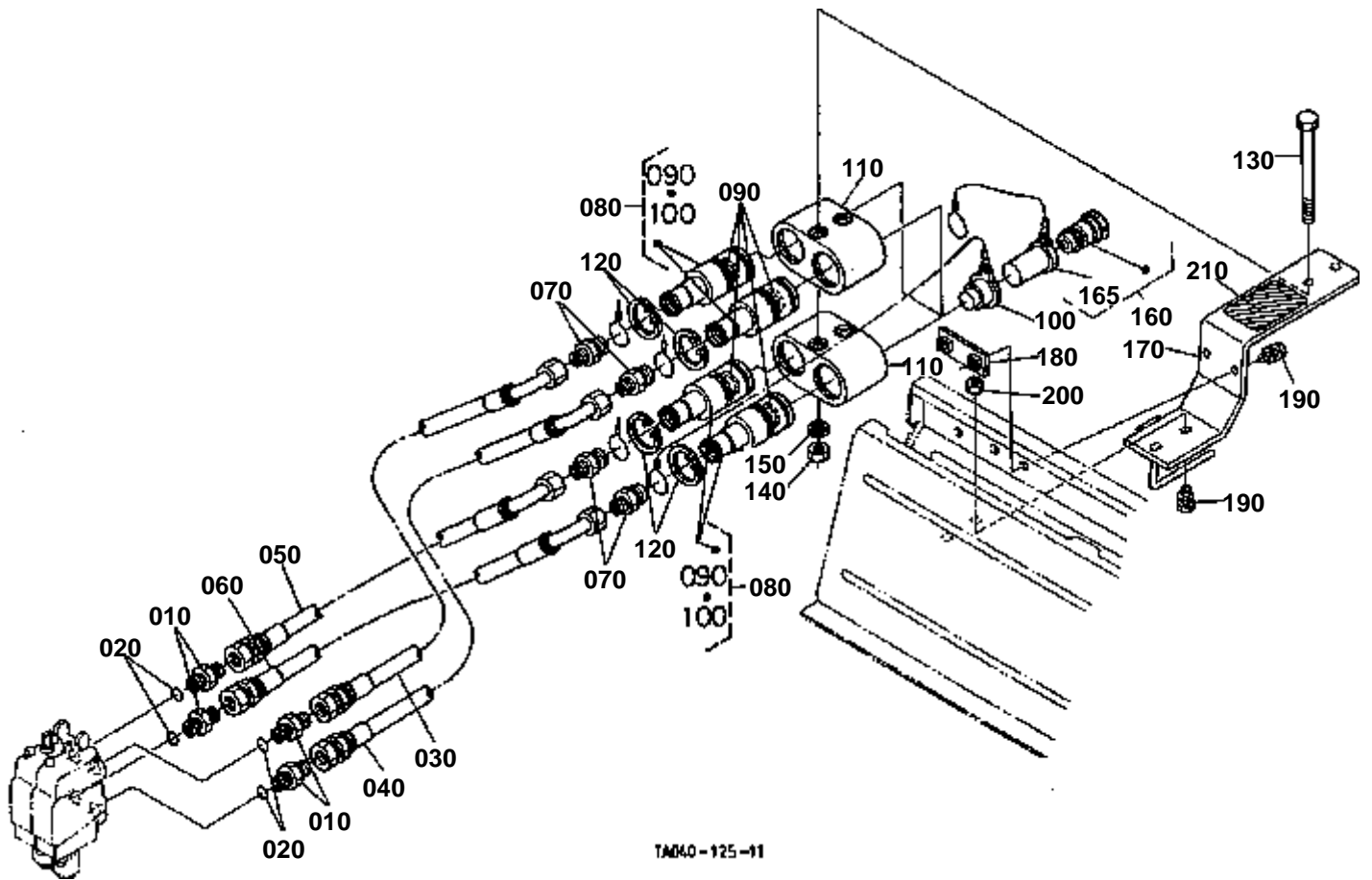
TA060 - E2L - 11

**REMOTE CONTROL VALVE COUPLER 1 [OPTION]**

↔ Interchangeable; ≠ not interchangeable; ← new for old; → old for new

REF.No	Part No.	Description	Q'ty	S.No.	I/C	REMARKS	Weight (kgf)	Weight (lb)
010	70726-61130	ADAPTER	2				0.055	0.121
020	04811-00140	O RING	2				0.001	0.0022
020	04817-00140	O RING	2		←		0	0
030	TA040-96410	HOSE AUX.CONT.VALVE	1				0.308	0.6776
040	TA040-96420	HOSE AUX.CONT.VALVE	1				0.314	0.6908
050	99063-93410	ADAPTER	2				0.07	0.154
060	35861-82032	ASSY COUPLER FEMALE	2				0.32	0.704
070	35861-94510	O RING	2				0.002	0.0044
080	35861-94520	PLUG COUPLER	2				0.005	0.011
090	35893-82610	SUPPORT COUPLER	1				0.715	1.573
100	04611-00380	CIR CLIP INTERNAL	2				0.004	0.0088
110	01153-50865	BOLT	2				0.025	0.055
120	02156-50080	NUT	2				0.004	0.0088
130	04512-60080	WASHER SPRING	2				0.002	0.0044
140	35861-82190	ASSY COUPLER MALE	2				0.086	0.1892
145	35861-94530	CAP	2				0.007	0.0154
150	TA040-96480	STAY COUPLER	1				1.12	2.464
160	TA040-96490	STAY COUPLER	1				0.073	0.1606
170	01123-50820	BOLT	4				0.011	0.0242
180	02114-50080	NUT	2				0.005	0.011
190	TA040-49670	MARK COUPLER	1				0.001	0.0022

REMOTE CONTROL VALVE COUPLER 2 [OPTION]



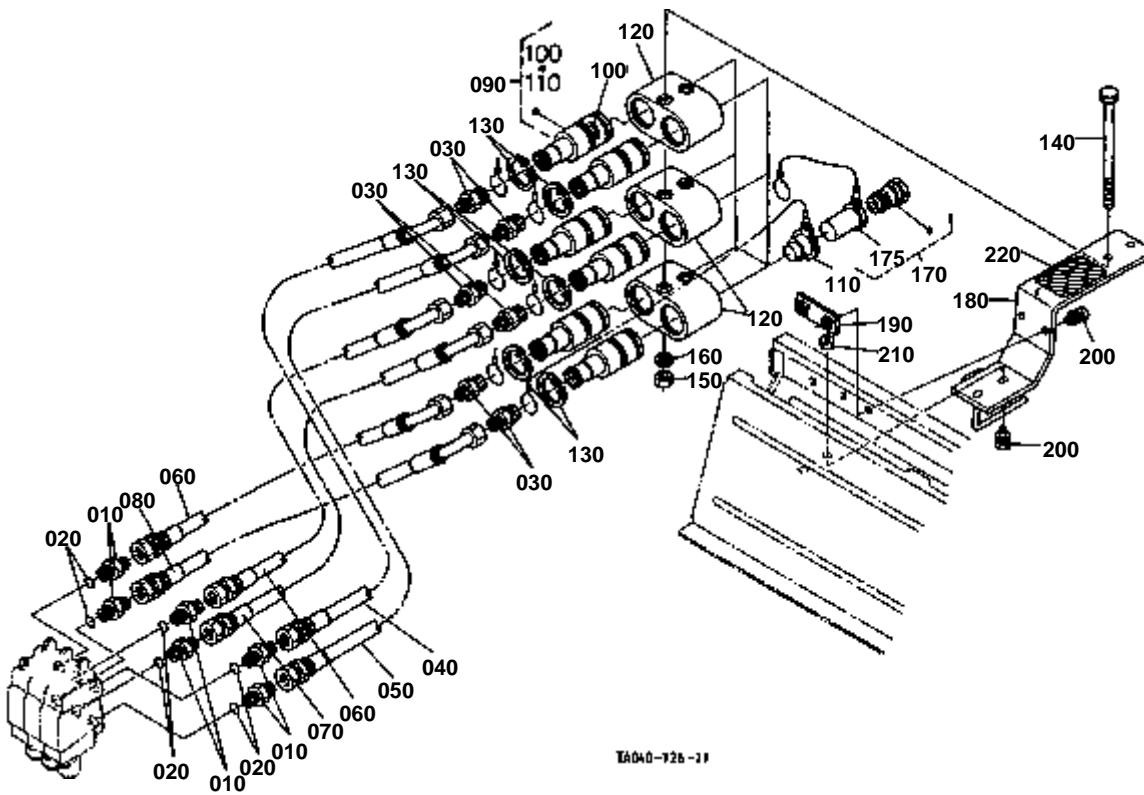


REMOTE CONTROL VALVE COUPLER 2 [OPTION]

↔ Interchangeable; ≠ not interchangeable; ← new for old; → old for new

REF.No	Part No.	Description	Q'ty	S.No.	I/C	REMARKS	Weight (kgf)	Weight (lb)
010	70726-61130	ADAPTER	4				0.055	0.121
020	04811-00140	O RING	4				0.001	0.0022
020	04817-00140	O RING	4		←		0	0
030	TA040-96410	HOSE AUX.CONT.VALVE	1				0.308	0.6776
040	TA040-96420	HOSE AUX.CONT.VALVE	1				0.314	0.6908
050	TA040-96430	HOSE AUX.CONT.VALVE	1				0.295	0.649
060	TA040-96440	HOSE AUX.CONT.VALVE	1				0.302	0.6644
070	99063-93410	ADAPTER	4				0.07	0.154
080	35861-82032	ASSY COUPLER FEMALE	4				0.32	0.704
090	35861-94510	O RING	4				0.002	0.0044
100	35861-94520	PLUG COUPLER	4				0.005	0.011
110	35893-82610	SUPPORT COUPLER	2				0.715	1.573
120	04611-00380	CIR CLIP INTERNAL	4				0.004	0.0088
130	01153-50802	BOLT	2				0.045	0.099
140	02156-50080	NUT	2				0.004	0.0088
150	04512-60080	WASHER SPRING	2				0.002	0.0044
160	35861-82190	ASSY COUPLER MALE	4				0.086	0.1892
165	35861-94530	CAP	4				0.007	0.0154
170	TA040-96480	STAY COUPLER	1				1.12	2.464
180	TA040-96490	STAY COUPLER	1				0.073	0.1606
190	01123-50820	BOLT	4				0.011	0.0242
200	02114-50080	NUT	2				0.005	0.011
210	TA040-49620	MARK COUPLER	1				0.001	0.0022

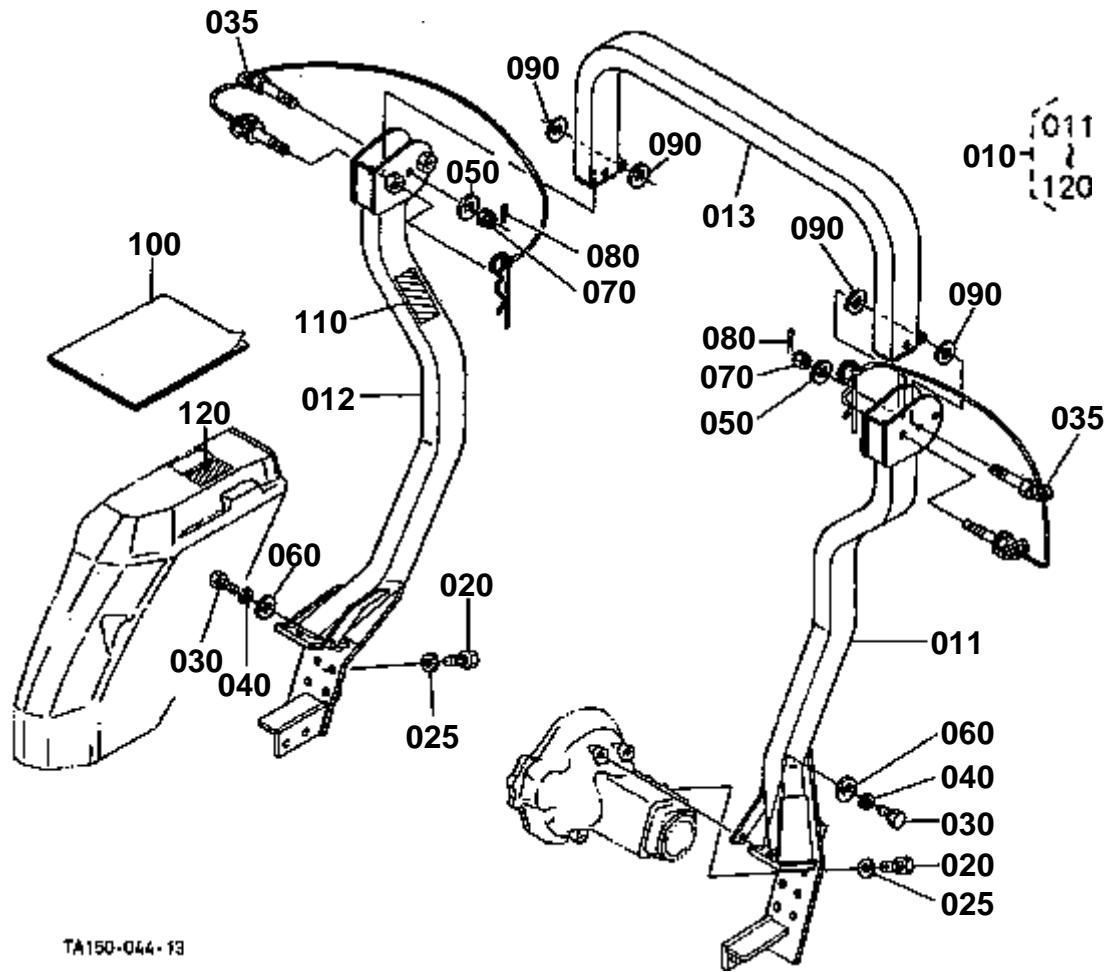
REMOTE CONTROL VALVE COUPLER 3 [OPTION]



**REMOTE CONTROL VALVE COUPLER 3 [OPTION]**

↔ Interchangeable; ≠ not interchangeable; ← new for old; → old for new

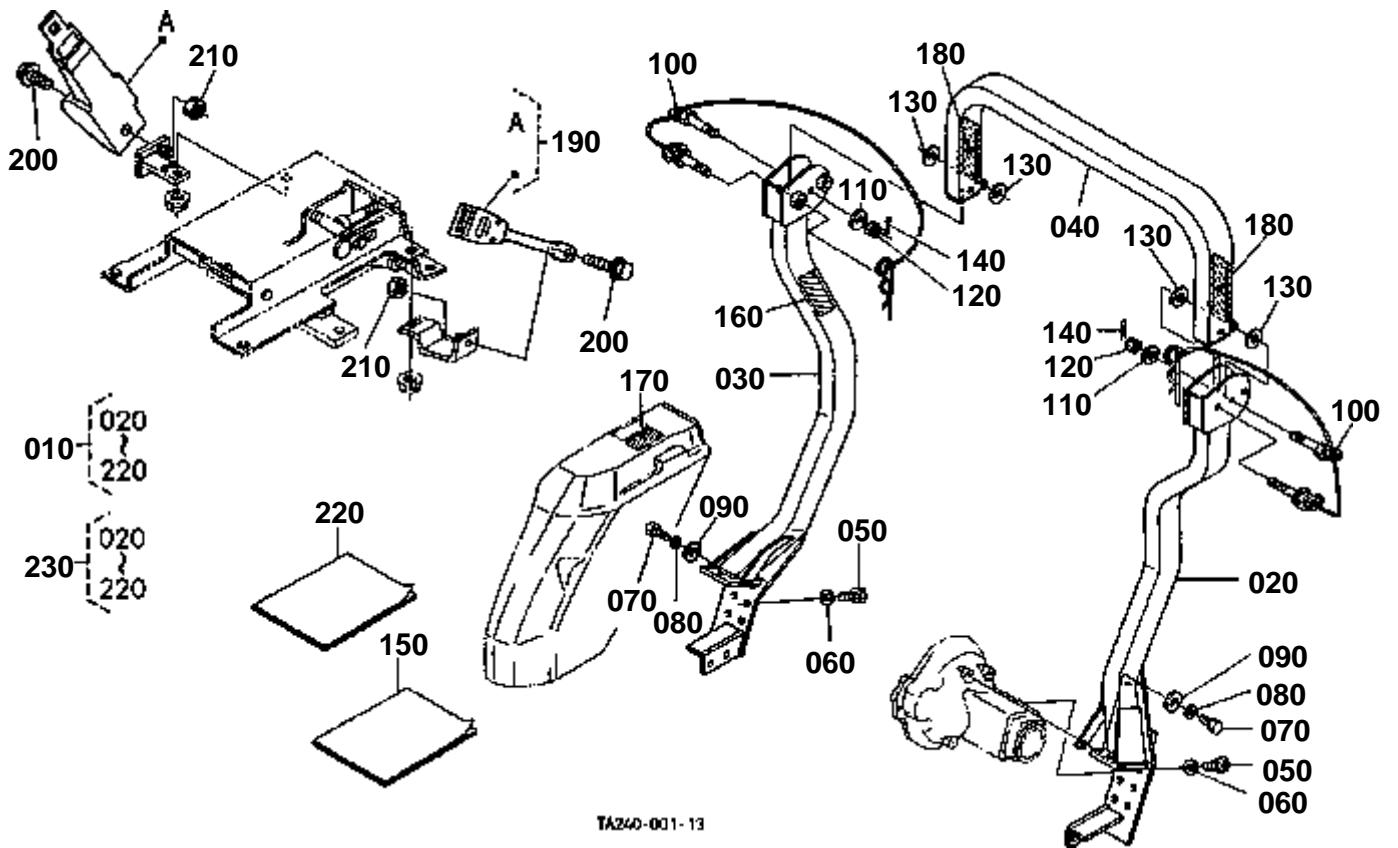
REF.No	Part No.	Description	Q'ty	S.No.	I/C	REMARKS	Weight (kgf)	Weight (lb)
010	70726-61130	ADAPTER	6				0.055	0.121
020	04811-00140	O RING	6				0.001	0.0022
020	04817-00140	O RING	6		←		0	0
030	99063-93410	ADAPTER	6				0.07	0.154
040	TA040-96410	HOSE AUX.CONT.VALVE	1				0.308	0.6776
050	TA040-96420	HOSE AUX.CONT.VALVE	1				0.314	0.6908
060	TA040-96430	HOSE AUX.CONT.VALVE	2				0.295	0.649
070	TA040-96440	HOSE AUX.CONT.VALVE	1				0.302	0.6644
080	TA040-96450	HOSE AUX.CONT.VALVE	1				0.3	0.66
090	35861-82032	ASSY COUPLER FEMALE	6				0.32	0.704
100	35861-94510	O RING	6				0.002	0.0044
110	35861-94520	PLUG COUPLER	6				0.005	0.011
120	35893-82610	SUPPORT COUPLER	3				0.715	1.573
130	04611-00380	CIR CLIP INTERNAL	6				0.004	0.0088
140	35340-99540	BOLT	2				0.06	0.132
150	02156-50080	NUT	2				0.004	0.0088
160	04512-60080	WASHER SPRING	2				0.002	0.0044
170	35861-82190	ASSY COUPLER MALE	6				0.086	0.1892
175	35861-94530	CAP	6				0.007	0.0154
180	TA040-96480	STAY COUPLER	1				1.12	2.464
190	TA040-96490	STAY COUPLER	1				0.073	0.1606
200	01123-50820	BOLT	4				0.011	0.0242
210	02114-50080	NUT	2				0.005	0.011
220	TA040-49640	MARK COUPLER	1				0.002	0.0044





↔ Interchangeable; ≠ not interchangeable; ← new for old; → old for new

REF.No	Part No.	Description	Q'ty	S.No.	I/C	REMARKS	Weight (kgf)	Weight (lb)
010	TA250-48010	ASSY ROPS	1				0	0
011	99999-99999	COMP.FRAME LH	1				0	0
012	99999-99999	COMP.FRAME RH	1				0	0
013	99999-99999	COMP.UPPER FRAME U	1				0	0
020	01176-51430	BOLT	12				0.052	0.1144
025	75599-33016	WASHER SPRING	12				0.08	0.176
030	01173-51230	BOLT	2				0.037	0.0814
035	TA240-48464	ASSY BOLT SET	2				0	0
040	04512-60120	WASHER SPRING	2				0.005	0.011
050	04013-60160	WASHER PLAIN	2				0.01	0.022
060	75599-32015	WASHER PLAIN	2				0	0
070	TA240-48362	NUT	2				0	0
080	75599-53194	PIN COTTER	2				0	0
090	75599-32017	WASHER PLAIN	4				0	0
100	TA240-48495	MANUAL INSTRUCTION	1				0	0
110	3A111-95540	LABEL ROPS CAUTION	1				0	0
120	TA240-98480	LABEL ROPS WARNING	1				0.005	0.011





↔ Interchangeable; ≠ not interchangeable; ← new for old; → old for new

REF.No	Part No.	Description	Q'ty	S.No.	I/C	REMARKS	Weight (kgf)	Weight (lb)
010	TA250-48442	KIT ROPS REPLACEMENT	1	<=73190			0	0
010	TA250-48442	KIT ROPS REPLACEMENT	1	>=73191	←		0	0
020	99999-99999	COMP.FRAME LH	1				0	0
030	99999-99999	COMP.FRAME RH	1				0	0
040	99999-99999	COMP.UPPER FRAME U	1				0	0
050	01176-51430	BOLT	12				0.052	0.1144
060	0Y450-50090	WASHER SPRING	12				0	0
070	01073-51230	BOLT	2				0.041	0.0902
080	04512-60120	WASHER SPRING	2				0.005	0.011
090	04013-60120	WASHER PLAIN	2				0.01	0.022
100	TA240-48750	SET BOLT	2	<=72326			0.435	0.957
100	TA240-48752	SET BOLT	2	>=72327	←		0	0
110	04013-60160	WASHER PLAIN	2				0.01	0.022
120	02254-50160	NUT	2				0.04	0.088
130	04013-60160	WASHER PLAIN	4				0.01	0.022
140	05511-50430	PIN SPLIT	2				0.004	0.0088
150	99999-99999	MANUAL INSTRUCTION	1				0	0
160	3A111-95540	LABEL ROPS CAUTION	1			ENGLISH	0	0
160	3A112-95540	LABEL ROPS CAUTION	1			FRENCH	0.003	0.0066
170	TA240-98480	LABEL ROPS WARNING	1			ENGLISH	0.005	0.011
170	3A112-98480	LABEL ROPS WARNING	1			FRENCH	0.004	0.0088
180	6C140-54990	REFLECTOR LABEL	2	>=73191			0.003	0.0066
190	6C040-72252	ASSY BELT SEAT	1	<=73190		NOT SALE	0.9	1.98
190	6C040-72253	ASSY BELT SEAT	1	>=73191	←		0.9	1.98
200	01774-51025	BOLT FLANGE	2				0.02	0.044
210	02116-50100	NUT	2				0.004	0.0088
220	TA240-48680	MANUAL INSTRUCTION	1				0.025	0.055